



# WIND SENSORS "ORA"

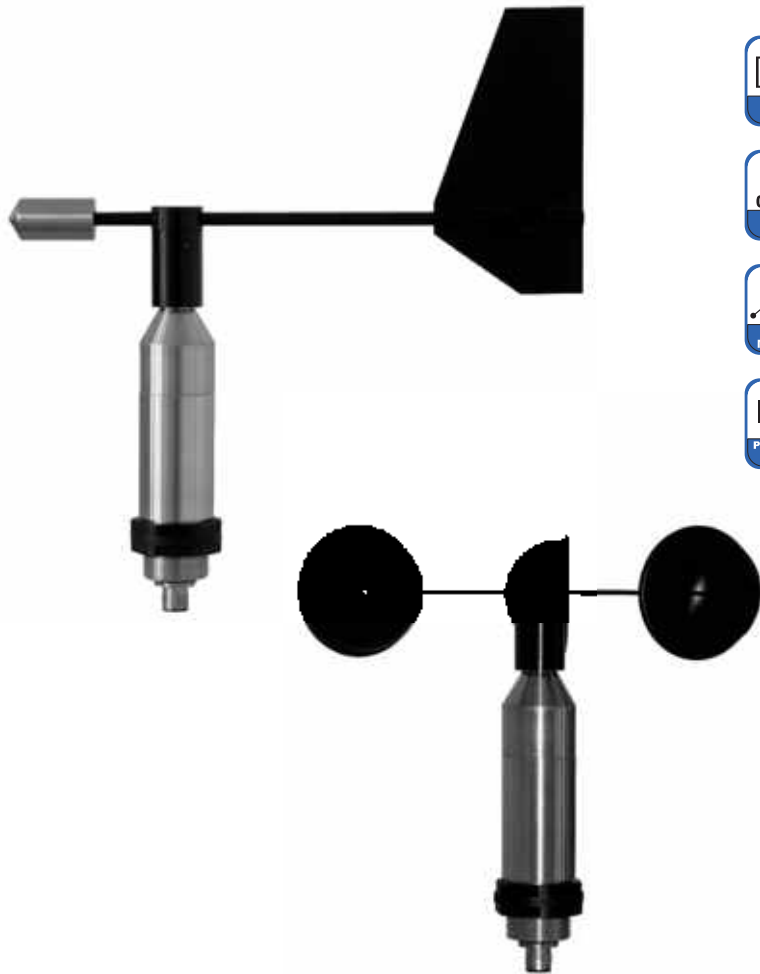
Wind direction and wind speed

## Highly precise, robust...

and professional are these new wind sensors of the ORA-family. The low power consumption of  $< 2$  mA makes this sensor ideal suitable for solar powered applications. The sensor is completely made of metal. If necessary the cup rotor is easy to change in the field.

- ▶ 4...15 VDC  
low power consumption  $< 2$  mA
- ▶ all-metal housing made of sea-water-resistant aluminium
- ▶ on site changeable cup rotor made of seawater-resistant aluminium
- ▶ protection class IP 65 in upright position

small wind power plants • professional weather stations  
• agriculture • solar powered applications



## Standard Line

## Wind Sensors ORA

Id-No.	(14594) Wind direction 00.14594.110 000		(14594) Wind speed 00.14594.210 000	
	Measuring elements: Measuring principle: Measuring range/ Accuracy: Resolution/ Starting value: Outputs: Supply voltage: Current consumption: Strongest wind impact velocity: Dimensions: Weight:	wind vane · aluminium magnetic 0...360° • $< \pm 2^\circ$ 1° • 0.4 m/s 0...2.5 V = 0...360° 4...15 VDC $< 2$ mA (low power) 80 m/s wind vane L 230 mm · H 256 mm approx. 0.95 kg	3-armed cup rotor · aluminium magnetic 0.4...55 m/s • $< \pm 0.5$ m/s $< \pm 0.1$ m/s • 0.4 m/s 0...2.5 V = 0...55.55 m/s 4...15 VDC $< 2$ mA (low power) 80 m/s cup rotor $\varnothing$ 108 mm · H 192 mm approx. 0.90 kg	
Temperature meas. range: Housing:	-40...+70 °C • under non-icing environmental conditions sea water resistant aluminium • IP 65 • for bores with $\varnothing$ 30 mm at max. 10 mm material thickness • incl. plug connector			
Included in delivery:	1 sensor • 12 m cable · with 4 pin M12 plug connector			
<u>Accessories:</u> <b>32.14567.006 000</b> <b>32.14627.010 000</b>	<b>(14567 U6)</b>	<b>Mast adapter · <math>\varnothing</math> 50 mm</b> <b>Wind traverse</b>		