



SUBMINIATURE

REDI-TEMP

THERMOSTATS TO-5 PACKAGE



APPLICATIONS:

- Power supplies
- Logic boards
- Telecommunications
- Medical Electronics
- Robotics

BENEFITS:

- PC Board Mountable TO-5 Package
- Logic Level Switching—Gold Contacts
- Wave Solderable—Hermetic Seal
- No Power Budget
- Electrically Isolated Case Ground Lead
- SPST (Single Pole Single Throw)
- Mounting Bracket Available
- Available From Stock

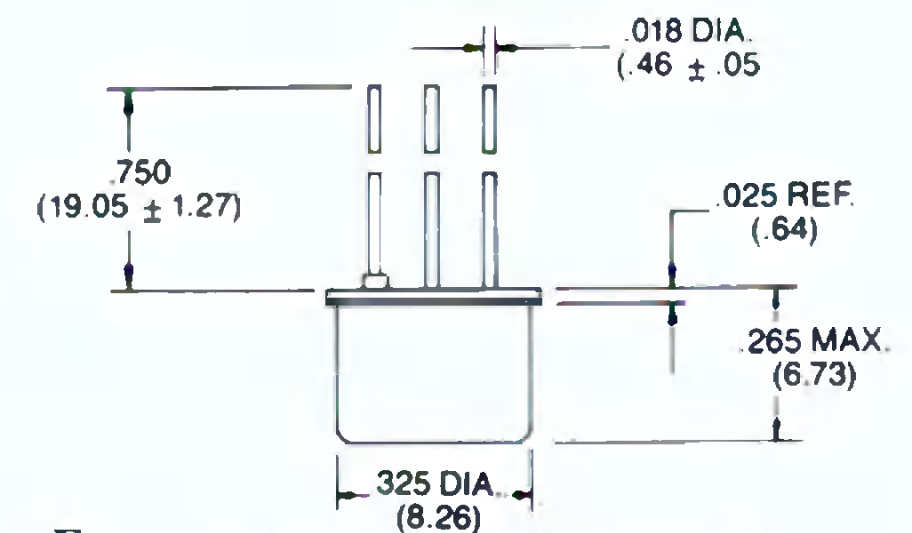
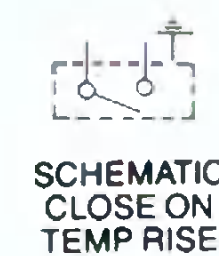
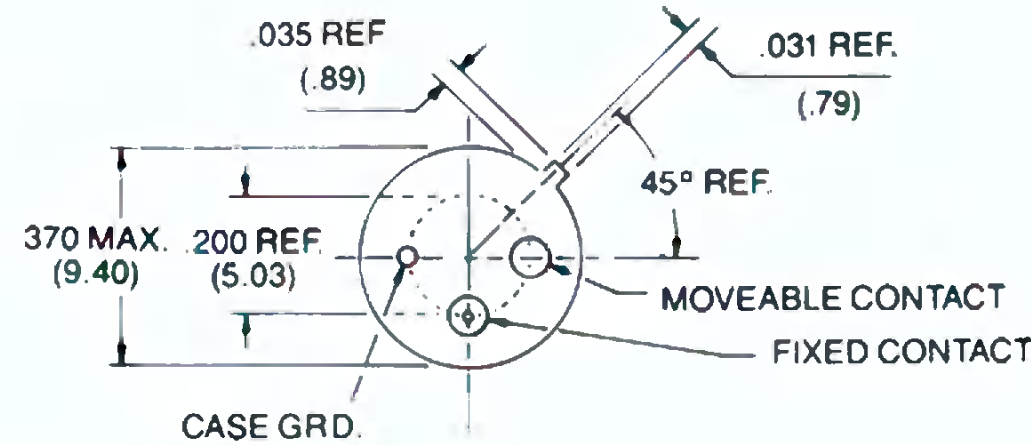
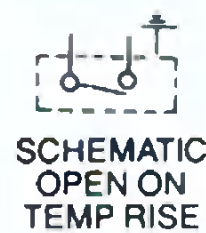
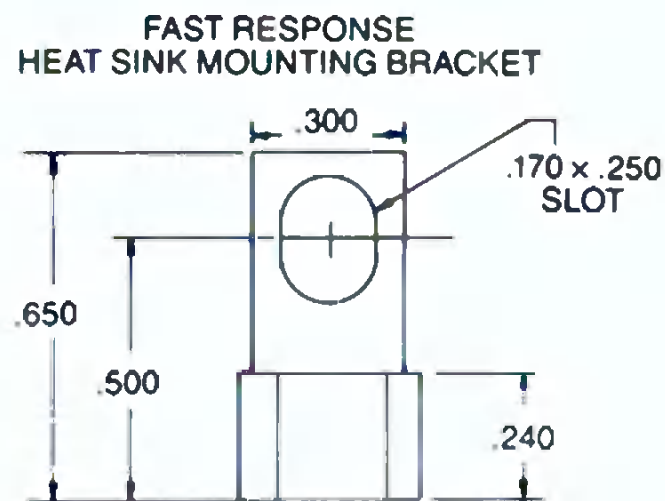
SHIPPED FROM STOCK

OPERATING PARAMETERS:

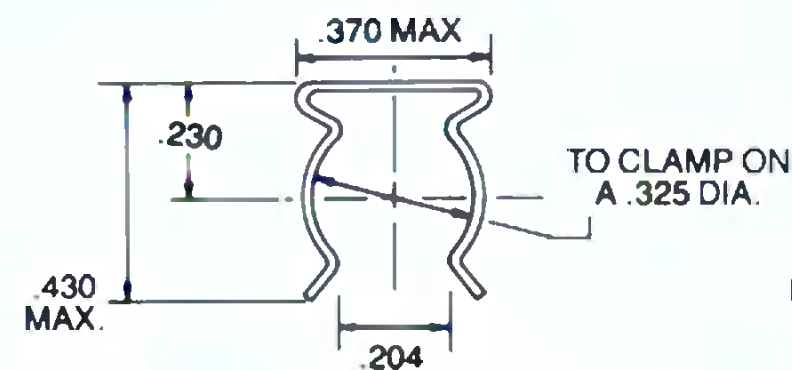
- Operating Temperature Range: 40°C to 100°C
- Dielectric Strength: 500 VAC, 60 Hz—for one second. Term to case
- Insulation Resistance: 95 milliohms max
- Environmental Exposure: -50°C to 177°C

3600 SERIES REDI-TEMP THERMOSTATS

3600 OPEN ON TEMPERATURE RISE				3601 CLOSE ON TEMPERATURE RISE			
OPEN TEMP °C	TOLERANCE (+/-) °C	MIN. DIFF. TEMP °C	PART NUMBER	CLOSE TEMP °C	TOLERANCE (+/-) °C	MIN. DIFF. TEMP °C	PART NUMBER
40	5	2	3600040010001	40	7	2	3601040010001
45	5	2	3600045010001	45	7	2	3601045010001
50	5	2	3600050010001	50	7	2	3601050010001
55	5	5	3600055010001	55	7	5	3601055010001
60	5	5	3600060010001	60	7	5	3601060010001
65	5	5	3600065010001	65	7	5	3601065010001
70	5	5	3600070010001	70	7	5	3601070010001
75	5	5	3600075010001	75	7	5	3601075010001
80	5	5	3600080010001	80	7	5	3601080010001
85	5	7	3600085010001	85	7	7	3601085010001
90	5	7	3600090010001	90	7	7	3601090010001
95	5	7	3600095010001	95	7	7	3601095010001
100	5	7	3600100010001	100	7	7	3601100010001

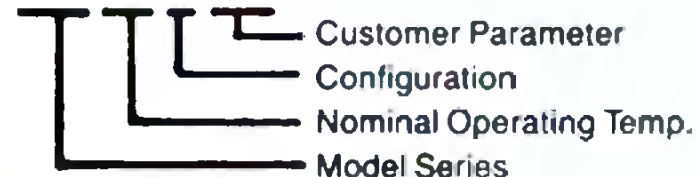


For a prompt response contact...



Ratings:
 6,000 life cycles @ 28VDC/AC
 1 AMP Resistive
 10,000 life cycles @ 5VDC/AC
 5 Milliamp Resistive

3600/3601 Part No. Coding System:
 Example: 3600-065-01-0001



Honeywell

Sensing & Control

Elmwood Sensors, Inc.

500 Narragansett Park Dr.

Pawtucket, RI 02861

TOLL-FREE 1-800-ELMWOOD (3569663)