

## 'Permanent Stock' of Thermostats Type 2455R

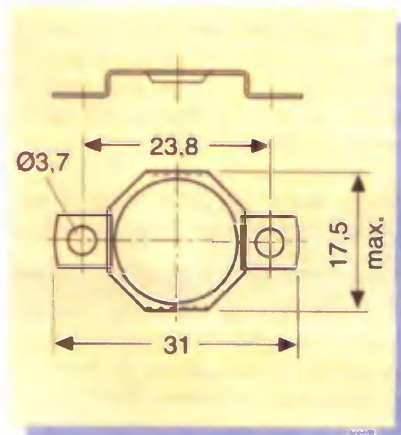
- **Functions: Open on Rising Temperature, and Close on Rising Temperature**
- **Standard Mounting Bracket: B 203 S**
- **Terminals: horizontal T 146**
- **Operating Temperatures in 10° C Steps.**
- **Up to 15A and up to 250V AC**
- **Silver contact system**

Part Number	Function		Function	
	Open °C	+/-K	Close °C	+/-K
2455R- 100-84	30	3	15	4
2455R- 100-72	40	3	25	6
2455R- 100-73	50	3	35	6
2455R- 100-85	60	3	45	6
2455R- 100-74	70	3	55	6
2455R- 100-75	80	3	65	6
2455R- 100-76	90	3	75	6
2455R- 100-77	100	4	80	7
2455R- 100-86	110	4	90	7
2455R- 100-98	120	4	98	6
2455R- 100-88	130	4	110	8
2455R- 100-89	140	4	115	8
2455RC- 9100-373	150	7	120	8

Part Number	Close		Open	
	°C	+/-K	°C	+/-K
2455R- 100-78	50	3	35	6
2455R- 100-79	60	3	45	6
2455R- 100-92	80	3	65	6
2455R- 100-93	90	3	75	6
2455R- 100-94	100	4	80	7
2455R- 100-95	120	4	100	7
2455R- 100-96	140	4	115	8

**Mounting Bracket B 203S**



**Terminak T 146**

