

PART G-01 ~ G-39

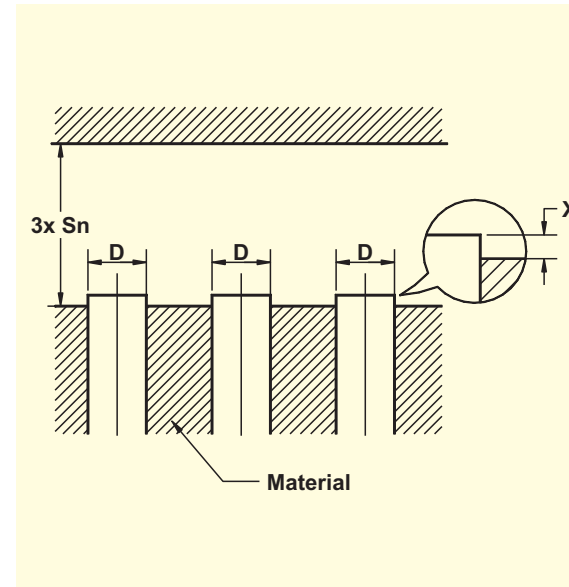
Diameter
● Shielded ○ non-Shielded
Switching Distance Sn mm
Housing Material
● With LED ○ Without LED
Dimensions (unit: mm)
Operating Voltage
Ripple
No Load Current
Max. Load Current
Leakge Current
Surge Current
Min. Load Current
Voltage Drop
Switching Frequency
Response Time
Switching Hysteresis
Repeat Accuracy
Protection Category
Operating Temperature
Temperature Drift
Short Circuit Protection
Overload Trip Point
Time Delay Before Availability
EMC
Shock / Vibration
Material Active Face
DC 3 wire 10-30V NPN N.O.
DC 3 wire 10-30V NPN N.C.
DC 3 wire 10-30V PNP N.O.
DC 3 wire 10-30V PNP N.C.
DC 4 wire 10-30V Changeover PNP (N.O. & N.C.)
DC 4 wire 10-30V Changeover NPN (N.O. & N.C.)
DC 2 wire 10-60V N.O.
DC 2 wire 10-60V N.C.
DC 3 wire 10-55V NPN N.O.
DC 3 wire 10-55V NPN N.C.
DC 3 wire 10-55V PNP N.O.
DC 3 wire 10-55V PNP N.C.
AC 2 wire 20-250V N.O.
AC 2 wire 20-250V N.C.
AC 2 wire 20-250V N.O. or N.C. Changeable
AC/DC 2 wire 20-250V N.O.
AC/DC 2 wire 20-250V N.C.
AC/DC 2 wire 20-250V N.O. or N.C. Changeable
Remark
Cable 2M (PVC)
Weight

PROXIMITY SWITCHES, GENERAL — LONG DISTANCE PROXIMITY SWITCH

■ Hints On Correct Use About Long Distance Proximity Switch

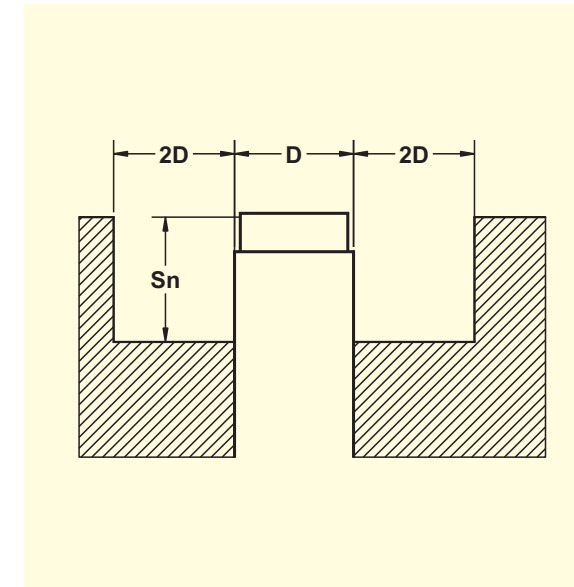
MOUNTING

● Shield mounting



Steel	$X = 0.2 D$
Other metals	$X = 0.1 D$
Other materials	$X = 0$

● Non-shielded mounting



SENSING TARGET

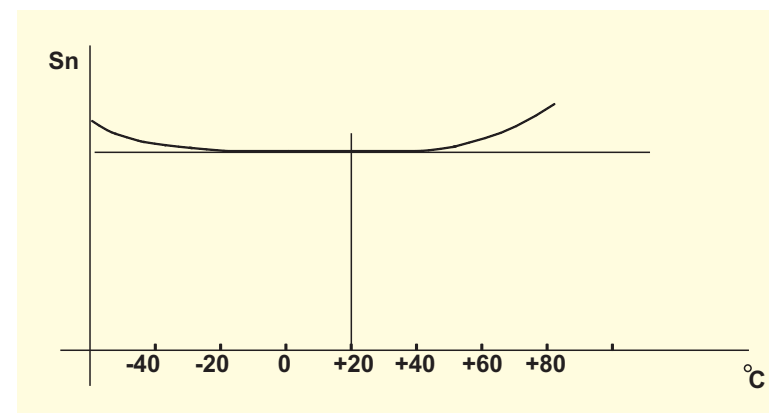
The plate is a square piece of sheet steel ref. 37, 1 mm thick.

The sides equal 3 times sensing distance of the switch, whichever is greater.

TEMPERATURE DRIFT OF Sn

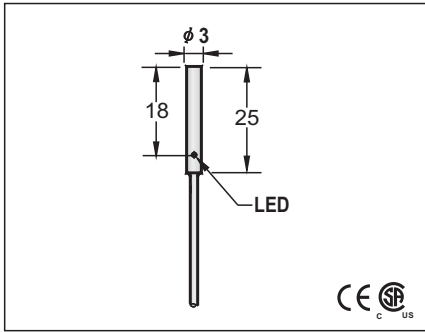
The switch distance is specified for an ambient temperature of 20 C. The following diagram gives the switching distance as a function of ambient temperature.

In the specified temperature range of -25°C To +70°C, the switching distance varies no more than 10% compared to the value at 20°C.



DC MINIATURE LONG SENSING DISTANCE PROXIMITY SWITCH

φ3
●
1.0 mm
stainless steel
●



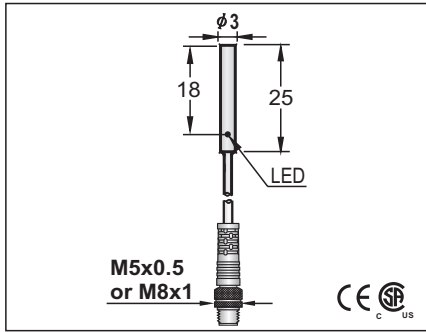
10-30VDC
<10%
<10mA
200mA
<0.01mA
-
-
<1.5V
3KHZ
0.1ms/0.1ms
<15%(Sr)
<2.0%(Sr)
IP67
-25°C - +70°C
<10%(Sr)
YES
220mA
<10ms
RFI>3V/m / EFT>1KV / ESD>4KV (contact)
IEC 60947-5-2,Part 7.4.1 / IEC 60947-5-2,Part 7.4.2
POM

LCU1-D0301N-A3S2	1
LCU1-D0301N-B3S2	2
LCU1-D0301P-A3S2	3
LCU1-D0301P-B3S2	4

FCU***/P5 └─ M5 Pigtail mode
FCU***/P8 └─ M8 Pigtail mode

2.3 φ3x0.15
Approx.22 g

φ3
●
1.0 mm
stainless steel
●



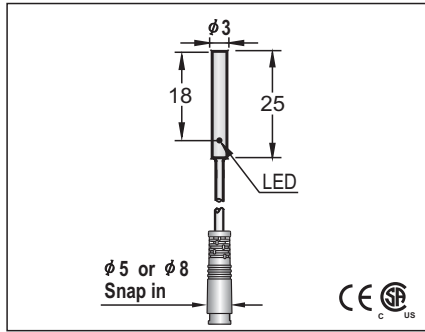
10-30VDC
<10%
<10mA
200mA
<0.01mA
-
-
<1.5V
2KHZ
0.1ms/0.1ms
<15%(Sr)
<2.0%(Sr)
IP67
-25°C - +70°C
<10%(Sr)
YES
220mA
<10ms
RFI>3V/m / EFT>1KV / ESD>4KV (contact)
IEC 60947-5-2,Part 7.4.1 / IEC 60947-5-2,Part 7.4.2
POM

LCU1-D0301N-A3S0.2/P5	25	LCU1-D0301N-A3S0.2/P8	29
LCU1-D0301N-B3S0.2/P5	26	LCU1-D0301N-B3S0.2/P8	30
LCU1-D0301P-A3S0.2/P5	27	LCU1-D0301P-A3S0.2/P8	31
LCU1-D0301P-B3S0.2/P5	28	LCU1-D0301P-B3S0.2/P8	32

FCU***/SN5 └─ φ5 Pigtail mode
FCU***/SN8 └─ φ8 Pigtail mode

2.3 φ3x0.15
Approx.22 g Approx.23 g

φ3
●
1.0 mm
stainless steel
●



10-30VDC
<10%
<10mA
200mA
<0.01mA
-
-
<2.0V
2KHZ
0.1ms/0.1ms
<15%(Sr)
<2.0%(Sr)
IP67
-25°C - +70°C
<10%(Sr)
YES
220mA
<10ms
RFI>3V/m / EFT>1KV / ESD>4KV (contact)
IEC 60947-5-2,Part 7.4.1 / IEC 60947-5-2,Part 7.4.2
POM

LCU1-D0301N-A3S0.2/SN5	25	LCU1-D0301N-A3S0.2/SN8	29
LCU1-D0301N-B3S0.2/SN5	26	LCU1-D0301N-B3S0.2/SN8	30
LCU1-D0301P-A3S0.2/SN5	27	LCU1-D0301P-A3S0.2/SN8	31
LCU1-D0301P-B3S0.2/SN5	28	LCU1-D0301P-B3S0.2/SN8	32

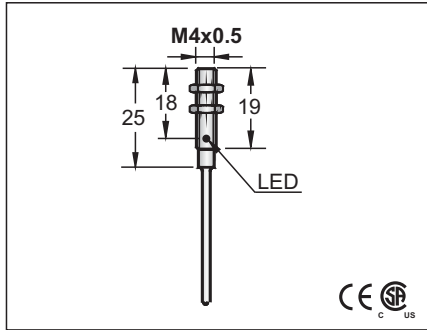
FCU***/SN5 └─ φ5 Pigtail mode
FCU***/SN8 └─ φ8 Pigtail mode

2.3 φ3x0.15
Approx.22 g Approx.23 g

DC MINIATURE LONG SENSING DISTANCE PROXIMITY SWITCH

DC MINIATURE LONG SENSING DISTANCE PROXIMITY SWITCH

M4
●
1.0 mm
stainless steel
●

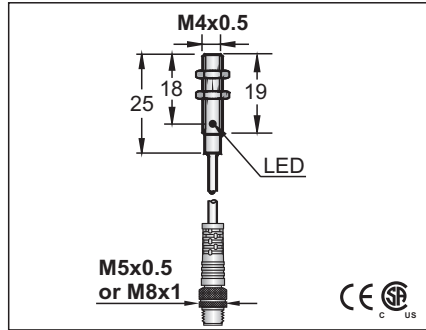


10-30VDC
<10%
<10mA
200mA
<0.01mA
-
-
<1.5V
2KHZ
0.1ms/0.1ms
<15%(Sr)
<2.0%(Sr)
IP67
-25°C - +70°C
<10%(Sr)
YES
220mA
<10ms
RFI>3V/m / EFT>1KV / ESD>4KV (contact)
IEC 60947-5-2,Part 7.4.1 / IEC 60947-5-2,Part 7.4.2
POM

LCU1-0401N-A3S2	1
LCU1-0401N-B3S2	2
LCU1-0401P-A3S2	3
LCU1-0401P-B3S2	4

2.3 φ3x0.15
Approx.22 g

M4
●
1.0 mm
stainless steel
●

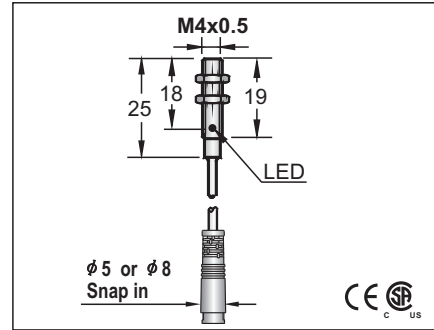


10-30VDC
<10%
<10mA
200mA
<0.01mA
-
-
<1.5V
2KHZ
0.1ms/0.1ms
<15%(Sr)
<2.0%(Sr)
IP67
-25°C - +70°C
<10%(Sr)
YES
220mA
<10ms
RFI>3V/m / EFT>1KV / ESD>4KV (contact)
IEC 60947-5-2,Part 7.4.1 / IEC 60947-5-2,Part 7.4.2
POM

LCU1-0401N-A3S0.2/P5	25	LCU1-0401N-A3S0.2/P8	29
LCU1-0401N-B3S0.2/P5	26	LCU1-0401N-B3S0.2/P8	30
LCU1-0401P-A3S0.2/P5	27	LCU1-0401P-A3S0.2/P8	31
LCU1-0401P-B3S0.2/P5	28	LCU1-0401P-B3S0.2/P8	32

FCU***/P5	<input type="checkbox"/> M5 Pigtail mode
FCU***/P8	<input type="checkbox"/> M8 Pigtail mode
2.3 φ3x0.15	
Approx.30 g	

M4
●
1.0 mm
stainless steel
●



10-30VDC
<10%
<10mA
200mA
<0.01mA
-
-
<2.0V
2KHZ
0.1ms/0.1ms
<15%(Sr)
<2.0%(Sr)
IP67
-25°C - +70°C
<10%(Sr)
YES
220mA
<10ms
RFI>3V/m / EFT>1KV / ESD>4KV (contact)
IEC 60947-5-2,Part 7.4.1 / IEC 60947-5-2,Part 7.4.2
POM

LCU1-0401N-A3S0.2/SN5	25	LCU1-0401N-A3S0.2/SN8	29
LCU1-0401N-B3S0.2/SN5	26	LCU1-0401N-B3S0.2/SN8	30
LCU1-0401P-A3S0.2/SN5	27	LCU1-0401P-A3S0.2/SN8	31
LCU1-0401P-B3S0.2/SN5	28	LCU1-0401P-B3S0.2/SN8	32

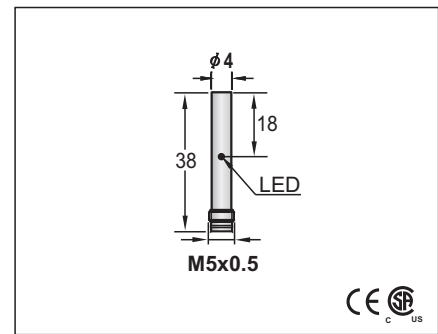
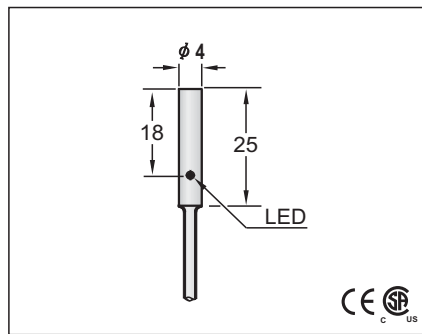
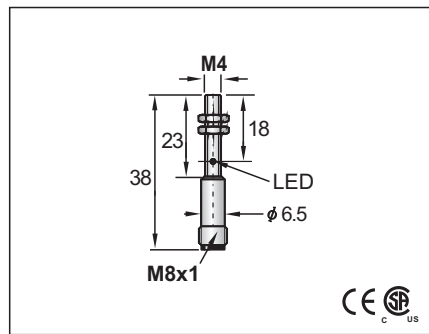
FCU***/SN5	<input type="checkbox"/> φ5 Pigtail mode
FCU***/SN8	<input type="checkbox"/> φ8 Pigtail mode
2.3 φ3x0.15	
Approx.30 g	Approx.31 g

DC MINIATURE LONG SENSING DISTANCE PROXIMITY SWITCH

M4
●
1.0 mm
stainless steel
●

ϕ 4
●
1.5 mm
stainless steel
●

ϕ 4
●
1.5 mm
stainless steel
●



10-30VDC
<10%
<10mA
200mA
<0.01mA
-
-
<1.5V
2KHZ
0.1ms/0.1ms
<15%(Sr)
<2.0%(Sr)
IP67
-25°C - +70 °C
<10%(Sr)
YES
220mA
<10ms
RFI>3V/m / EFT>1KV / ESD>4KV (contact)
IEC 60947-5-2,Part 7.4.1 / IEC 60947-5-2,Part 7.4.2
POM

10-30VDC
<10%
<10mA
200mA
<0.01mA
-
-
<1.5V
2KHZ
0.1ms/0.1ms
<15%(Sr)
<2.0%(Sr)
IP67
-25°C - +70 °C
<10%(Sr)
YES
220mA
<10ms
RFI>3V/m / EFT>1KV / ESD>4KV (contact)
IEC 60947-5-2,Part 7.4.1 / IEC 60947-5-2,Part 7.4.2
POM

10-30VDC
<10%
<10mA
200mA
<0.01mA
-
-
<1.5V
2KHZ
0.1ms/0.1ms
<15%(Sr)
<2.0%(Sr)
IP67
-25°C - +70 °C
<10%(Sr)
YES
220mA
<10ms
RFI>3V/m / EFT>1KV / ESD>4KV (contact)
IEC 60947-5-2,Part 7.4.1 / IEC 60947-5-2,Part 7.4.2
POM

LCU1-0401N-ACU3	29
LCU1-0401N-BCU3	29
LCU1-0401P-ACU3	30
LCU1-0401P-BCU3	30

LCU1-D041.5N-A3U2	1
LCU1-D041.5N-B3U2	2
LCU1-D041.5P-A3U2	3
LCU1-D041.5P-B3U2	4

LCU1-D041.5N-AMS4	33
LCU1-D041.5N-BMS4	34
LCU1-D041.5P-AMS4	35
LCU1-D041.5P-BMS4	36

Approx.22 g

2.7 ϕ 3x0.15
Approx.22 g

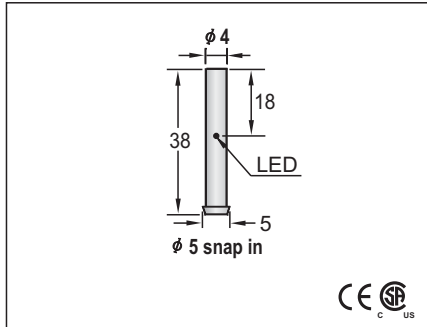
Approx.18 g

DC MINIATURE LONG SENSING DISTANCE PROXIMITY SWITCH

DC MINIATURE LONG SENSING DISTANCE PROXIMITY SWITCH

DC MINIATURE LONG SENSING DISTANCE PROXIMITY SWITCH

φ4
●
1.5 mm
stainless steel
●

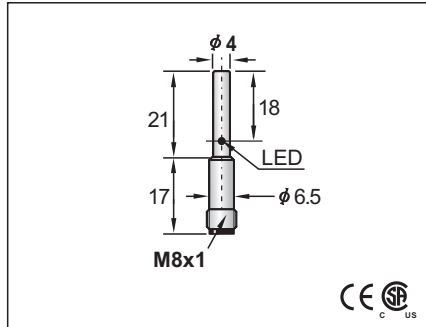


10-30VDC
<10%
<10mA
200mA
<0.01mA
-
-
<2.0V
2KHZ
0.1ms/0.1ms
<15%(Sr)
<2.0%(Sr)
IP67
-25°C - +70 °C
<10%(Sr)
YES
220mA
<10ms
RFI>3V/m / EFT>1KV / ESD>4KV (contact)
IEC 60947-5-2,Part 7.4.1 / IEC 60947-5-2,Part 7.4.2
POM

LCU1-D041.5N-AMS4/SN	25
LCU1-D041.5N-BMS4/SN	26
LCU1-D041.5P-AMS4/SN	27
LCU1-D041.5P-BMS4/SN	28

φ5 Miniature snap in connector
Approx.18 g

φ4
●
1.5 mm
stainless steel
●

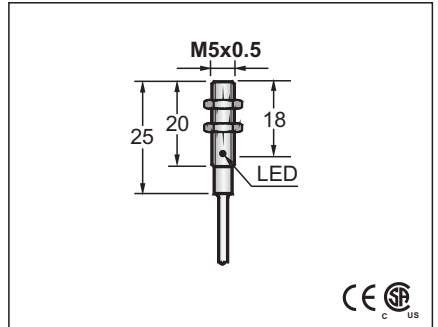


10-30VDC
<10%
<10mA
200mA
<0.01mA
-
-
<1.5V
2KHZ
0.1ms/0.1ms
<15%(Sr)
<2.0%(Sr)
IP67
-25°C - +70 °C
<10%(Sr)
YES
220mA
<10ms
RFI>3V/m / EFT>1KV / ESD>4KV (contact)
IEC 60947-5-2,Part 7.4.1 / IEC 60947-5-2,Part 7.4.2
POM

LCU1-D041.5N-ACU3	29
LCU1-D041.5N-BCU3	29
LCU1-D041.5P-ACU3	30
LCU1-D041.5P-BCU3	30

Approx.22 g

M5
●
1.5 mm
stainless steel
●



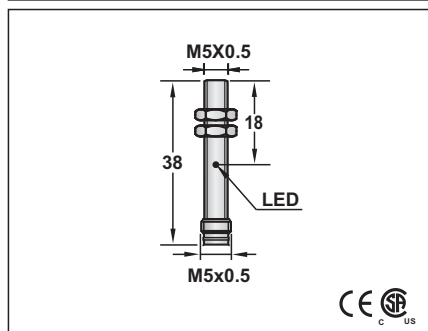
10-30VDC
<10%
<10mA
200mA
<0.01mA
-
-
<1.5V
2KHZ
0.1ms/0.1ms
<15%(Sr)
<2.0%(Sr)
IP67
-25°C - +70 °C
<10%(Sr)
YES
220mA
<10ms
RFI>3V/m / EFT>1KV / ESD>4KV (contact)
IEC 60947-5-2,Part 7.4.1 / IEC 60947-5-2,Part 7.4.2
POM

LCU1-051.5N-A3U2	1
LCU1-051.5N-B3U2	2
LCU1-051.5P-A3U2	3
LCU1-051.5P-B3U2	4

2.7 φ3x0.15
Approx.22 g

DC MINIATURE LONG SENSING DISTANCE PROXIMITY SWITCH

M5
●
1.5 mm
stainless steel
●

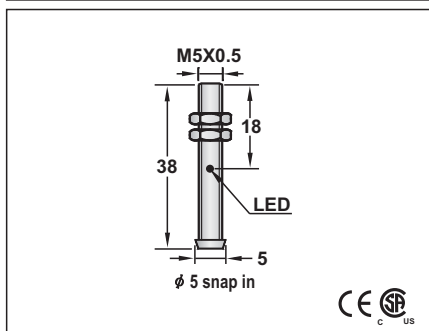


10-30VDC
<10%
<10mA
200mA
<0.01mA
-
-
<1.5V
2KHZ
0.1ms/0.1ms
<15%(Sr)
<2.0%(Sr)
IP67
-25°C - +70°C
<10%(Sr)
YES
220mA
<10ms
RFI>3V/m / EFT>1KV / ESD>4KV (contact)
IEC 60947-5-2,Part 7.4.1 / IEC 60947-5-2,Part 7.4.2
POM

LCU1-051.5N-AMU4	25
LCU1-051.5N-BMU4	26
LCU1-051.5P-AMU4	27
LCU1-051.5P-BMU4	28

Approx.18 g	

M5
●
1.5 mm
stainless steel
●

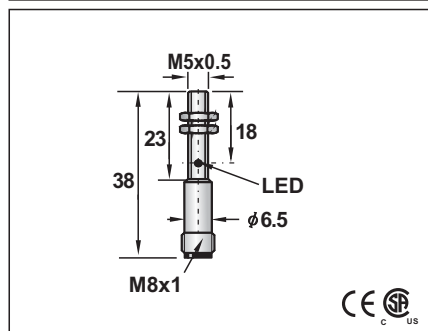


10-30VDC
<10%
<10mA
200mA
<0.01mA
-
-
<2.0V
2KHZ
0.1ms/0.1ms
<15%(Sr)
<2.0%(Sr)
IP67
-25°C - +70°C
<10%(Sr)
YES
220mA
<10ms
RFI>3V/m / EFT>1KV / ESD>4KV (contact)
IEC 60947-5-2,Part 7.4.1 / IEC 60947-5-2,Part 7.4.2
POM

LCU1-051.5N-AMU4/SN	25
LCU1-051.5N-BMU4/SN	26
LCU1-051.5P-AMU4/SN	27
LCU1-051.5P-BMU4/SN	28

φ5 Miniature snap in connector	
Approx.18 g	

M5
●
1.5 mm
stainless steel
●



10-30VDC
<10%
<10mA
200mA
<0.01mA
-
-
<1.5V
2KHZ
0.1ms/0.1ms
<15%(Sr)
<2.0%(Sr)
IP67
-25°C - +70°C
<10%(Sr)
YES
220mA
<10ms
RFI>3V/m / EFT>1KV / ESD>4KV (contact)
IEC 60947-5-2,Part 7.4.1 / IEC 60947-5-2,Part 7.4.2
POM

LCU1-051.5N-ACU3	29
LCU1-051.5N-BCU3	29
LCU1-051.5P-ACU3	30
LCU1-051.5P-BCU3	30

Approx.20 g	

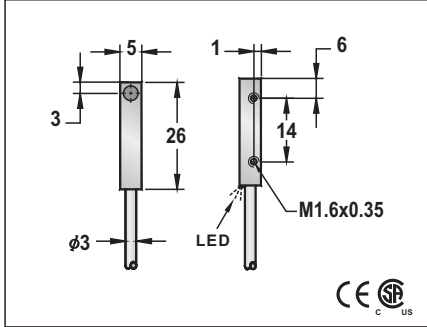
DC MINIATURE LONG SENSING DISTANCE PROXIMITY SWITCH

Q5x5x26

DC MINIATURE LONG SENSING DISTANCE PROXIMITY SWITCH

DC MINIATURE LONG SENSING DISTANCE PROXIMITY SWITCH

Q5x5x26
●
1.5 mm
die-cast
●



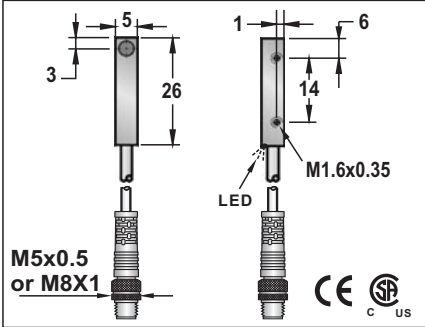
10-30VDC
<10%
<10mA
200mA
<0.01mA
-
-
<1.5V
2KHZ
0.1ms/0.1ms
<15%(Sr)
<1.0%(Sr)
IP67
-25°C - +70°C
<10%(Sr)
YES
220mA
<10ms
RFI>3V/m / EFT>1KV / ESD>4KV (contact)
IEC 60947-5-2,Part 7.4.1 / IEC 60947-5-2,Part 7.4.2
POM

LQM1-551.5N-A3U2T	1
LQM1-551.5N-B3U2T	2
LQM1-551.5P-A3U2T	3
LQM1-551.5P-B3U2T	4

NAMUR type specifications see page 23

3.0 ϕ 3X0.15
Approx.30 g

Q5x5x26
●
1.5 mm
die-cast
●



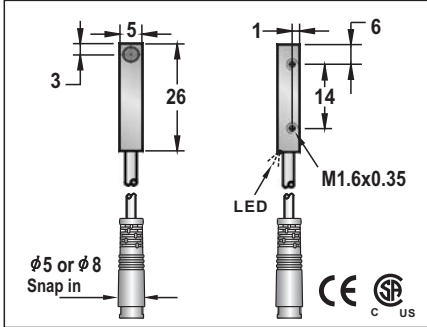
10-30VDC
<10%
<10mA
200mA
<0.01mA
-
-
<1.5V
2KHZ
0.1ms/0.1ms
<15%(Sr)
<1.0%(Sr)
IP67
-25°C - +70°C
<10%(Sr)
YES
220mA
<10ms
RFI>3V/m / EFT>1KV / ESD>4KV (contact)
IEC 60947-5-2,Part 7.4.1 / IEC 60947-5-2,Part 7.4.2
POM

LQM1-551.5N-A3U0.2T/P5	25	LQM1-551.5N-A3U0.2T/P8	29
LQM1-551.5N-B3U0.2T/P5	26	LQM1-551.5N-B3U0.2T/P8	30
LQM1-551.5P-A3U0.2T/P5	27	LQM1-551.5P-A3U0.2T/P8	31
LQM1-551.5P-B3U0.2T/P5	28	LQM1-551.5P-B3U0.2T/P8	32

FQM***/P5 — M5 Pigtail mode
FQM***/P8 — M8 Pigtail mode

3.0 ϕ 3X0.15	
Approx.30 g	Approx.31 g

Q5x5x26
●
1.5 mm
die-cast
●



10-30VDC
<10%
<10mA
200mA
<0.01mA
-
-
<1.5V
2KHZ
0.1ms/0.1ms
<15%(Sr)
<1.0%(Sr)
IP67
-25°C - +70°C
<10%(Sr)
YES
220mA
<10ms
RFI>3V/m / EFT>1KV / ESD>4KV (contact)
IEC 60947-5-2,Part 7.4.1 / IEC 60947-5-2,Part 7.4.2
POM

LQM1-551.5N-A3U0.2T/SN5	25	LQM1-551.5N-A3U0.2T/SN8	29
LQM1-551.5N-B3U0.2T/SN5	26	LQM1-551.5N-B3U0.2T/SN8	30
LQM1-551.5P-A3U0.2T/SN5	27	LQM1-551.5P-A3U0.2T/SN8	31
LQM1-551.5P-B3U0.2T/SN5	28	LQM1-551.5P-B3U0.2T/SN8	32

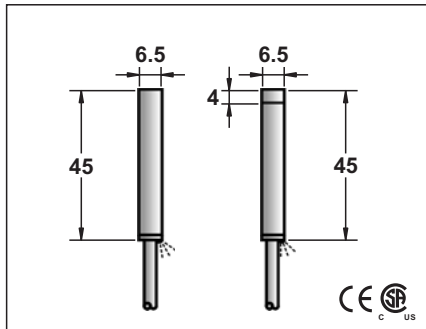
FQM***/SN5 — ϕ 5 Pigtail mode
FQM***/SN8 — ϕ 8 Pigtail mode

3.0 ϕ 3X0.15	
Approx.30 g	Approx.31 g

DC LONG SENSING DISTANCE PROXIMITY SWITCH

DC LONG SENSING DISTANCE PROXIMITY SWITCH

ø6.5	
●	○
3 mm	6 mm
Stainless steel or nickel plated brass	
●	

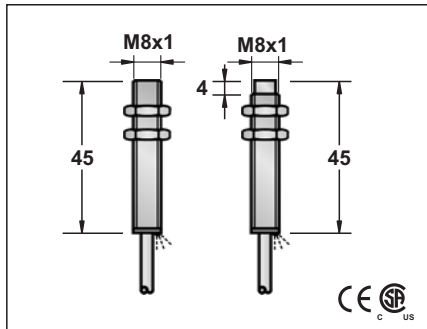


10-30VDC
<10%
<10mA
200mA
<0.01mA
-
-
<2.0V
1KHZ
0.1ms/0.1ms
<15%(Sr)
<2.0%(Sr)
IP67
-25°C - +70 °C
<10%(Sr)
YES
220mA
<10ms
RFI>3V/m / EFT>1KV / ESD>4KV (contact)
IEC 60947-5-2,Part 7.4.1 / IEC 60947-5-2,Part 7.4.2
POM

LCM1-D0603N-A3U2	1	LCM2-D0606N-A3U2
LCM1-D0603N-B3U2	2	LCM2-D0606N-B3U2
LCM1-D0603P-A3U2	3	LCM2-D0606P-A3U2
LCM1-D0603P-B3U2	4	LCM2-D0606P-B3U2
LCM1-D0603NU	21	LCM2-D0606NU

3 ø3x0.15
Approx.36 g

M 8	
●	○
3 mm	6 mm
Stainless steel or nickel plated brass	
●	

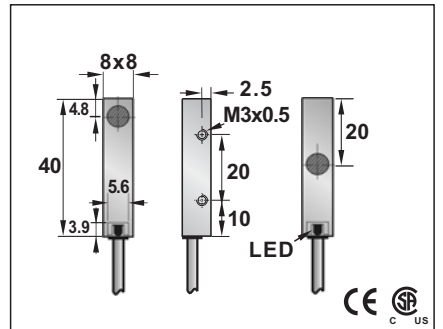


10-30VDC
<10%
<10mA
200mA
<0.01mA
-
-
<2.0V
1KHZ
0.1ms/0.1ms
<15%(Sr)
<2.0%(Sr)
IP67
-25°C - +70 °C
<10%(Sr)
YES
220mA
<10ms
RFI>3V/m / EFT>1KV / ESD>4KV (contact)
IEC 60947-5-2,Part 7.4.1 / IEC 60947-5-2,Part 7.4.2
POM

LCM1-0803N-A3U2	1	LCM2-0806N-A3U2
LCM1-0803N-B3U2	2	LCM2-0806N-B3U2
LCM1-0803P-A3U2	3	LCM2-0806P-A3U2
LCM1-0803P-B3U2	4	LCM2-0806P-B3U2
LCM1-0803NU	21	LCM2-0806NU

3 ø3x0.15
Approx.40 g

Q8	
●	●
3 mm	
die-cast	
●	



10-30VDC
<10%
<10mA
200mA
<0.01mA
-
-
<2.0V
1KHZ
0.1ms/0.1ms
<15%(Sr)
<2.0%(Sr)
IP67
-25°C - +70 °C
<10%(Sr)
YES
220mA
<10ms
RFI>3V/m / EFT>1KV / ESD>4KV (contact)
IEC 60947-5-2,Part 7.4.1 / IEC 60947-5-2,Part 7.4.2
POM

LQM1-8803N-A3U2T	1	LQM1-8803N-A3U2M
LQM1-8803N-B3U2T	2	LQM1-8803N-B3U2M
LQM1-8803P-A3U2T	3	LQM1-8803P-A3U2M
LQM1-8803P-B3U2T	4	LQM1-8803P-B3U2M

3 ø3x0.15
Approx.38 g



φ11、M12、Q12

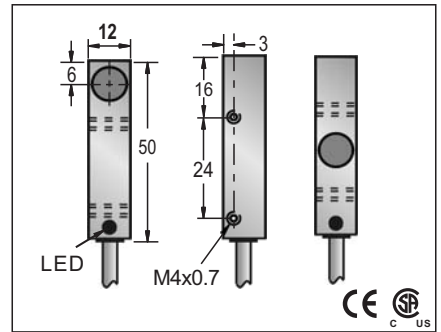
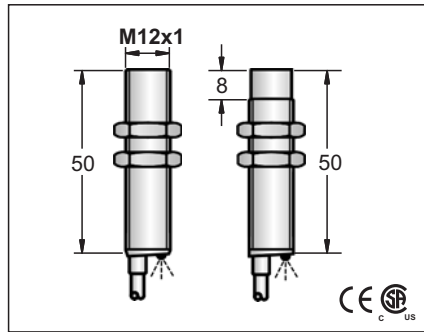
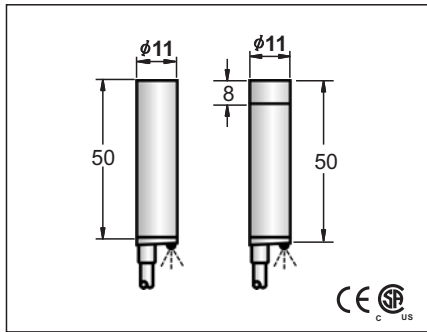
DC LONG SENSING DISTANCE PROXIMITY SWITCH

DC LONG SENSING DISTANCE PROXIMITY SWITCH

φ11	
6 mm	10 mm
nickel plated brass	

M 12	
6 mm	10 mm
nickel plated brass	

Q 12	
6 mm	
die-cast	



10-30VDC
<10%
<10mA
200mA
<0.01mA
-
-
<2V
1KHZ
500HZ
0.1ms/0.1ms
0.2ms/0.2ms

10-30VDC or 10-60VDC
<10%
<10mA
200mA
<0.01mA
-
-
<2V
1KHZ
500HZ
0.1ms/0.1ms
0.2ms/0.2ms

10-30VDC or 10-60VDC
<10%
<10mA
200mA
<0.01mA
-
-
<2.0V
1KHZ
500HZ
0.1ms/0.1ms
0.2ms/0.2ms

<15%(Sr)
<2.0%(Sr)
IP67
-25°C - +70°C
<10%(Sr)
YES
220mA
<10ms
RFI>3V/m / EFT>1KV / ESD>4KV (contact)
IEC 60947-5-2,Part 7.4.1 / IEC 60947-5-2,Part 7.4.2
POM

<15%(Sr)
<2.0%(Sr)
IP67
-25°C - +70°C
<10%(Sr)
YES
220mA
<10ms
RFI>3V/m / EFT>1KV / ESD>4KV (contact)
IEC 60947-5-2,Part 7.4.1 / IEC 60947-5-2,Part 7.4.2
POM
PBT

<15%(Sr)
<2.0%(Sr)
IP67
-25°C - +70°C
<10%(Sr)
YES
220mA
<10ms
RFI>3V/m / EFT>1KV / ESD>4KV (contact)
IEC 60947-5-2,Part 7.4.1 / IEC 60947-5-2,Part 7.4.2
POM

POM		
LCM1-D1106N-A3U2	1	LCM2-D1110N-A3U2
LCM1-D1106N-B3U2	2	LCM2-D1110N-B3U2
LCM1-D1106P-A3U2	3	LCM2-D1110P-A3U2
LCM1-D1106P-B3U2	4	LCM2-D1110P-B3U2

POM		PBT	
LCM1-1206N-A3U2	1	LCM2-1210N-A3U2	
LCM1-1206N-B3U2	2	LCM2-1210N-B3U2	
LCM1-1206P-A3U2	3	LCM2-1210P-A3U2	
LCM1-1206P-B3U2	4	LCM2-1210P-B3U2	

POM		POM	
LQM1-1206N-A3U2T	1	LQM1-1206N-A3U2M	
LQM1-1206N-B3U2T	2	LQM1-1206N-B3U2M	
LQM1-1206P-A3U2T	3	LQM1-1206P-A3U2M	
LQM1-1206P-B3U2T	4	LQM1-1206P-B3U2M	

LCM1-D1106C-A2U2	7	LCM2-D1110C-A2U2
LCM1-D1106C-B2U2	8	LCM2-D1110C-B2U2

LCM1-1206C-A2U2	7	LCM2-1210C-A2U2
LCM1-1206C-B2U2	8	LCM2-1210C-B2U2

Please see Page 18 for details and specifications of DC 2-Wire models on this page.



4φ3x0.15	
Approx.56 g	Approx.55 g

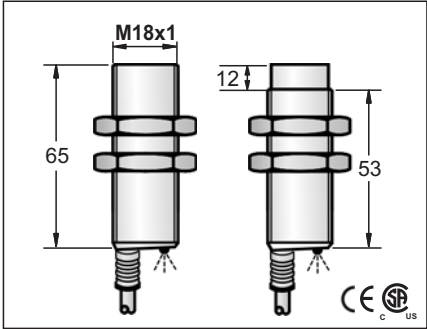
4φ3x0.15	
Approx.56 g	Approx.55 g

4 φ3X0.34	
Approx.75 g	

DC LONG SENSING DISTANCE PROXIMITY SWITCH

DC LONG SENSING DISTANCE PROXIMITY SWITCH

M 18	
●	○
12 mm	20 mm
nickel plated brass	
●	



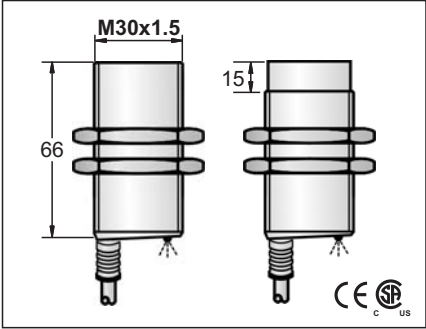
10-30VDC or 10-60VDC	
<10%	
<10mA	
200mA	
<0.05mA	
-	
-	
<2V	

300HZ	100HZ
0.5ms/0.5ms	1ms/1ms
<15%(Sr)	
<2.0%(Sr)	
IP67	
-25°C - +70°C	
<10%(Sr)	
YES	
220mA	
<10ms	
RFI>3V/m / EFT>1KV / ESD>4KV (contact)	
IEC 60947-5-2,Part 7.4.1 / IEC 60947-5-2,Part 7.4.2	
PBT	

LCM1-1812N-A3U2	1	LCM2-1820N-A3U2
LCM1-1812N-B3U2	2	LCM2-1820N-B3U2
LCM1-1812P-A3U2	3	LCM2-1820P-A3U2
LCM1-1812P-B3U2	4	LCM2-1820P-B3U2
LCM1-1812P-S4U2	6	LCM2-1820P-S4U2
LCM1-1812N-S4U2	5	LCM2-1820N-S4U2
LCM1-1812C-A2U2	7	LCM2-1820C-A2U2
LCM1-1812C-B2U2	8	LCM2-1820C-B2U2

5.0 ϕ44x0.1	
Approx.110 g	Approx.114 g

M 30	
●	○
22 mm	40 mm
nickel plated brass	
●	



10-30VDC or 10-60VDC	
<10%	
<10mA	
200mA	
<0.05mA	
-	
-	
<2V	

300HZ	100HZ
0.5ms/0.5ms	1ms/1ms
<15%(Sr)	
<2.0%(Sr)	
IP67	
-25°C - +70°C	
<10%(Sr)	
YES	
220mA	
<10ms	
RFI>3V/m / EFT>1KV / ESD>4KV (contact)	
IEC 60947-5-2,Part 7.4.1 / IEC 60947-5-2,Part 7.4.2	
PBT	

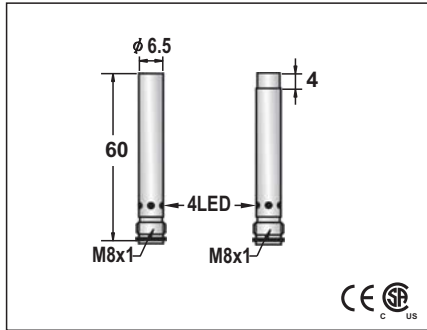
LCM1-3022N-A3U2	1	LCM2-3040N-A3U2
LCM1-3022N-B3U2	2	LCM2-3040N-B3U2
LCM1-3022P-A3U2	3	LCM2-3040P-A3U2
LCM1-3022P-B3U2	4	LCM2-3040P-B3U2
LCM1-3022P-S4U2	6	LCM2-3040P-S4U2
LCM1-3022N-S4U2	5	LCM2-3040N-S4U2
LCM1-3022C-A2U2	7	LCM2-3040C-A2U2
LCM1-3022C-B2U2	8	LCM2-3040C-B2U2

5.8 ϕ3x0.5	
Approx.231 g	Approx.241 g

Please see Page 18 for details and specifications of DC 2-Wire models on this page.

DC LONG SENSING DISTANCE PROXIMITY SWITCH CONNECTOR TYPE

φ 6.5	
●	○
3 mm	6 mm
nickel plated brass	
●	

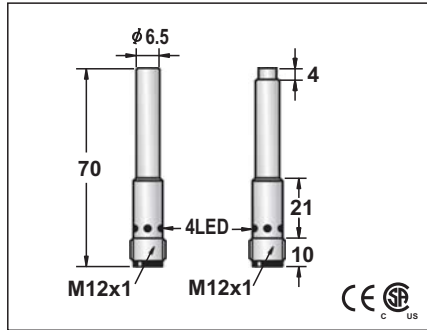


10-30VDC
<10%
<10mA
200mA
<0.01mA
-
-
<2.0V
1KHZ
0.1ms/0.1ms
<15%(Sr)
<2.0%(Sr)
IP67
-25 °C - +70 °C
<10%(Sr)
YES
220mA
<10ms
RFI>3V/m / EFT>1KV / ESD>4KV (contact)
IEC 60947-5-2,Part 7.4.1 / IEC 60947-5-2,Part 7.4.2
POM

LCM1-D0603N-ACU3	29	LCM2-D0606N-ACU3
LCM1-D0603N-BCU3	29	LCM2-D0606N-BCU3
LCM1-D0603P-ACU3	30	LCM2-D0606P-ACU3
LCM1-D0603P-BCU3	30	LCM2-D0606P-BCU3

Approx.17 g	Approx.16 g
-------------	-------------

φ 6.5	
●	○
3 mm	6 mm
nickel plated brass	
●	

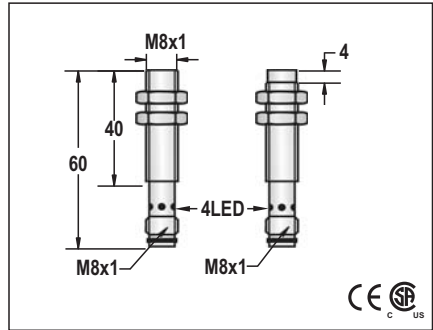


10-30VDC
<10%
<10mA
200mA
<0.01mA
-
-
<2.0V
1KHZ
0.1ms/0.1ms
<15%(Sr)
<2.0%(Sr)
IP67
-25 °C - +70 °C
<10%(Sr)
YES
220mA
<10ms
RFI>3V/m / EFT>1KV / ESD>4KV (contact)
IEC 60947-5-2,Part 7.4.1 / IEC 60947-5-2,Part 7.4.2
POM

LCM1-D0603N-ARU4	33	LCM2-D0606N-ARU4
LCM1-D0603N-BRU4	34	LCM2-D0606N-BRU4
LCM1-D0603P-ARU4	35	LCM2-D0606P-ARU4
LCM1-D0603P-BRU4	36	LCM2-D0606P-BRU4

Approx.25 g	Approx.20 g
-------------	-------------

M 8	
●	○
3 mm	6 mm
nickel plated brass	
●	



10-30VDC
<10%
<10mA
200mA
<0.01mA
-
-
<2.0V
1KHZ
0.1ms/0.1ms
<15%(Sr)
<2.0%(Sr)
IP67
-25 °C - +70 °C
<10%(Sr)
YES
220mA
<10ms
RFI>3V/m / EFT>1KV / ESD>4KV (contact)
IEC 60947-5-2,Part 7.4.1 / IEC 60947-5-2,Part 7.4.2
POM

LCM1-0803N-ACU3	29	LCM2-0806N-ACU3
LCM1-0803N-BCU3	29	LCM2-0806N-BCU3
LCM1-0803P-ACU3	30	LCM2-0806P-ACU3
LCM1-0803P-BCU3	30	LCM2-0806P-BCU3

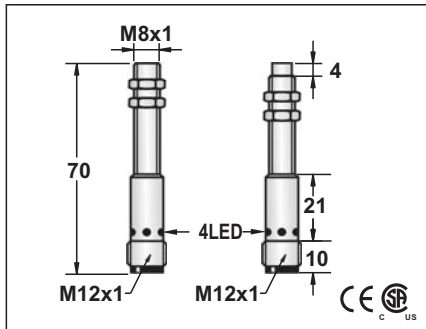
Approx.20 g	Approx.20 g
-------------	-------------

DC LONG SENSING DISTANCE PROXIMITY SWITCH CONNECTOR TYPE

DC LONG SENSING DISTANCE PROXIMITY SWITCH CONNECTOR TYPE

DC LONG SENSING DISTANCE PROXIMITY SWITCH CONNECTOR TYPE

M 8	
●	○
3 mm	6 mm
nickel plated brass	
●	



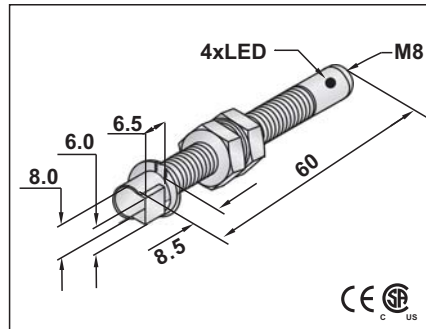
10-30VDC
<10%
<10mA
200mA
<0.01mA
-
-
<2.0V
1KHZ
0.1ms/0.1ms
<15%(Sr)
<2.0%(Sr)
IP67
-25 °C - +70 °C
<10%(Sr)
YES
220mA
<10ms
RFI>3V/m / EFT>1KV / ESD>4KV (contact)
IEC 60947-5-2,Part 7.4.1 / IEC 60947-5-2,Part 7.4.2
POM

LCM1-0803N-ARU4	33	LCM2-0806N-ARU4	
LCM1-0803N-BRU4	34	LCM2-0806N-BRU4	
LCM1-0803P-ARU4	35	LCM2-0806P-ARU4	
LCM1-0803P-BRU4	36	LCM2-0806P-BRU4	



Approx.22 g

M 8	
●	○
3 mm	6 mm
nickel plated brass	
●	



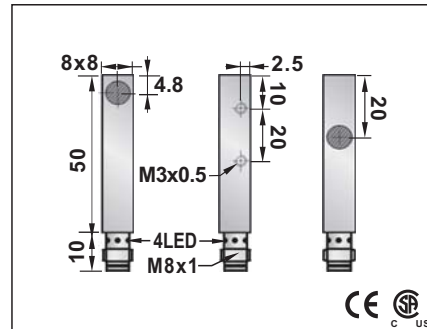
10-30VDC
<10%
<10mA
200mA
<0.01mA
-
-
<2.0V
1KHZ
0.1ms/0.1ms
<15%(Sr)
<2.0%(Sr)
IP67
-25 °C - +70 °C
<10%(Sr)
YES
220mA
<10ms
RFI>3V/m / EFT>1KV / ESD>4KV (contact)
IEC 60947-5-2,Part 7.4.1 / IEC 60947-5-2,Part 7.4.2
POM

LCM1-0803N-ACU3T	29
LCM1-0803N-BCU3T	29
LCM1-0803P-ACU3T	30
LCM1-0803P-BCU3T	30



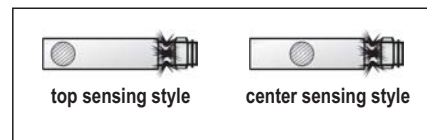
Approx.22 g

Q8	
●	○
3 mm	6 mm
die-cast	
●	



10-30VDC
<10%
<10mA
200mA
<0.01mA
-
-
<2.0V
1KHZ
0.1ms/0.1ms
<15%(Sr)
<2.0%(Sr)
IP67
-25 °C - +70 °C
<10%(Sr)
YES
220mA
<10ms
RFI>3V/m / EFT>1KV / ESD>4KV (contact)
IEC 60947-5-2,Part 7.4.1 / IEC 60947-5-2,Part 7.4.2
POM

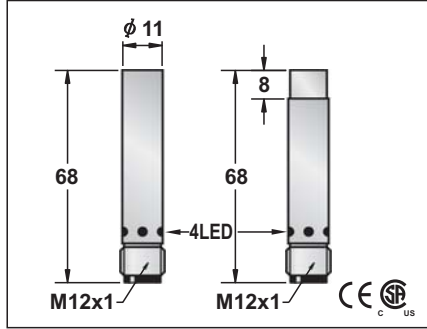
LQM1-8803N-ACU3T	29	LQM1-8803N-ACU3M
LQM1-8803N-BCU3T	29	LQM1-8803N-BCU3M
LQM1-8803P-ACU3T	30	LQM1-8803P-ACU3M
LQM1-8803P-BCU3T	30	LQM1-8803P-BCU3M



Approx.38 g

DC LONG SENSING DISTANCE PROXIMITY SWITCH CONNECTOR TYPE

φ11	
●	○
6 mm	10 mm
nickel plated brass	
●	

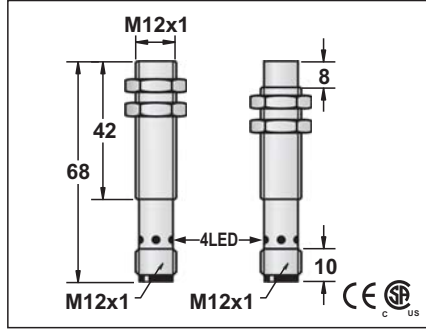


10-30VDC	
<10%	
<10mA	
200mA	
<0.01mA	
-	
<2V	
1KHZ	500HZ
0.1ms/0.1ms	0.2ms/0.2ms
<15%(Sr)	
<2.0%(Sr)	
IP67	
-25 °C - +70 °C	
<10%(Sr)	
YES	
220mA	
<10ms	
RFI>3V/m / EFT>1KV / ESD>4KV (contact)	
IEC 60947-5-2,Part 7.4.1 / IEC 60947-5-2,Part 7.4.2	
POM	

LCM1-D1106N-ARU4	33	LCM2-D1110N-ARU4
LCM1-D1106N-BRU4	34	LCM2-D1110N-BRU4
LCM1-D1106P-ARU4	35	LCM2-D1110P-ARU4
LCM1-D1106P-BRU4	36	LCM2-D1110P-BRU4
LCM1-D1106C-ARU4	40	LCM2-D1110C-ARU4
LCM1-D1106C-BRU4	78	LCM2-D1110C-BRU4

approx.29g	
------------	--

M 12	
●	○
6 mm	10 mm
nickel plated brass	
●	

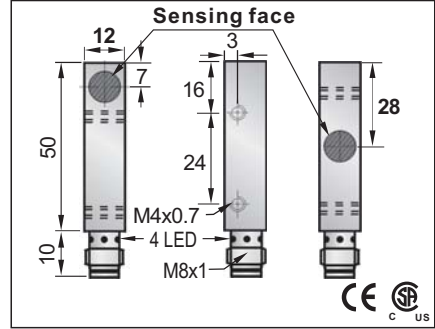


10-30VDC	
<10%	
<10mA	
200mA	
<0.01mA	
-	
<2V	
1KHZ	500HZ
0.1ms/0.1ms	0.2ms/0.2ms
<15%(Sr)	
<2.0%(Sr)	
IP67	
-25 °C - +70 °C	
<10%(Sr)	
YES	
220mA	
<10ms	
RFI>3V/m / EFT>1KV / ESD>4KV (contact)	
IEC 60947-5-2,Part 7.4.1 / IEC 60947-5-2,Part 7.4.2	
PBT	

LCM1-1206N-ARU4	33	LCM2-1210N-ARU4
LCM1-1206N-BRU4	34	LCM2-1210N-BRU4
LCM1-1206P-ARU4	35	LCM2-1210P-ARU4
LCM1-1206P-BRU4	36	LCM2-1210P-BRU4
LCM1-1206C-ARU4	40	LCM2-1210C-ARU4
LCM1-1206C-BRU4	78	LCM2-1210C-BRU4

Please see Page 18 for details and specifications of DC 2-Wire models on this page.	
approx.31g	approx.30g

Q12	
●	○
6 mm	
die-cast	
●	



10-30VDC	
<10%	
<10mA	
200mA	
<0.01mA	
-	
<2.0V	
1KHZ	500HZ
0.1ms/0.1ms	0.2ms/0.2ms
<15%(Sr)	
<2.0%(Sr)	
IP67	
-25 °C - +70 °C	
<10%(Sr)	
YES	
220mA	
<10ms	
RFI>3V/m / EFT>1KV / ESD>4KV (contact)	
IEC 60947-5-2,Part 7.4.1 / IEC 60947-5-2,Part 7.4.2	
PBT	

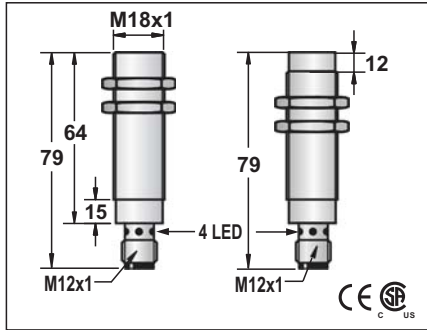
LQM1-1206N-ACU3T	29	LQM1-1206N-ACU3M
LQM1-1206N-BCU3T	29	LQM1-1206N-BCU3M
LQM1-1206P-ACU3T	30	LQM1-1206P-ACU3M
LQM1-1206P-BCU3T	30	LQM1-1206P-BCU3M

top sensing style	center sensing style
4 φ3X0.34	
Approx.75 g	

DC LONG SENSING DISTANCE PROXIMITY SWITCH CONNECTOR TYPE

DC LONG SENSING DISTANCE PROXIMITY SWITCH CONNECTOR TYPE

M 18	
●	○
12 mm	20 mm
nickel plated brass	
●	

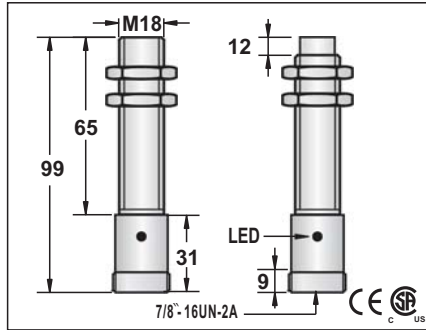


10-30VDC or 10-60VDC	
<10%	
<10mA	
200mA	
<0.05mA	
-	
-	
<2V	
300HZ	100HZ
0.5ms/0.5ms	1ms/1ms
<15%(Sr)	
<2.0%(Sr)	
IP67	
-25 °C - +70 °C	
<10%(Sr)	
YES	
220mA	
<10ms	
RFI>3V/m / EFT>1KV / ESD>4KV (contact)	
IEC 60947-5-2,Part 7.4.1 / IEC 60947-5-2,Part 7.4.2	
PBT	

LCM1-1812N-ARU4	33	LCM2-1820N-ARU4
LCM1-1812N-BRU4	34	LCM2-1820N-BRU4
LCM1-1812P-ARU4	35	LCM2-1820P-ARU4
LCM1-1812P-BRU4	36	LCM2-1820P-BRU4
LCM1-1812P-SRU4	38	LCM2-1820P-SRU4
LCM1-1812N-SRU4	37	LCM2-1820N-SRU4
LCM1-1812C-ARU4	40	LCM2-1820C-ARU4
LCM1-1812C-BRU4	78	LCM2-1820C-BRU4

approx.66g	approx.70g
------------	------------

M 18	
●	○
12 mm	20 mm
nickel plated brass	
●	

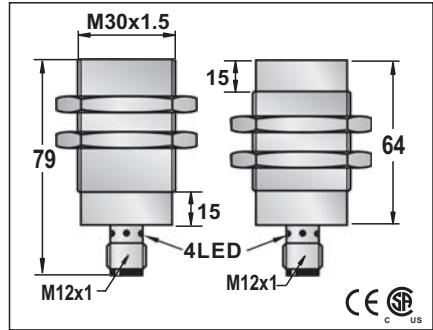


10-30VDC or 10-60VDC	
<10%	
<10mA	
200mA	
<0.05mA	
-	
-	
<2V	
300HZ	100HZ
0.5ms/0.5ms	1ms/1ms
<15%(Sr)	
<2.0%(Sr)	
IP67	
-25 °C - +70 °C	
<10%(Sr)	
YES	
220mA	
<10ms	
RFI>3V/m / EFT>1KV / ESD>4KV (contact)	
IEC 60947-5-2,Part 7.4.1 / IEC 60947-5-2,Part 7.4.2	
PBT	

LCM1-1812N-AZU4	41	LCM2-1820N-AZU4
LCM1-1812N-BZU4	42	LCM2-1820N-BZU4
LCM1-1812P-AZU4	43	LCM2-1820P-AZU4
LCM1-1812P-BZU4	44	LCM2-1820P-BZU4
LCM1-1812P-SZU4	41	LCM2-1820P-SZU4
LCM1-1812N-SZU4	42	LCM2-1820N-SZU4
LCM1-1812C-AZU4	43	LCM2-1820C-AZU4
LCM1-1812C-BZU4	44	LCM2-1820C-BZU4

Please see Page 18 for details and specifications of DC 2-Wire models on this page.	
approx.66g	approx.70g

M 30	
●	○
22 mm	40 mm
nickel plated brass	
●	



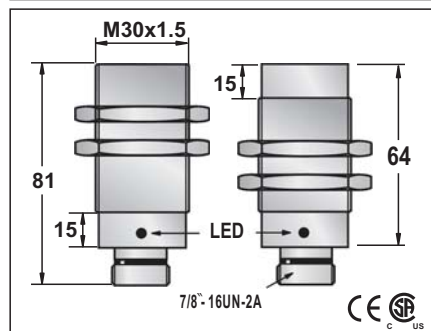
10-30VDC or 10-60VDC	
<10%	
<10mA	
200mA	
<0.05mA	
-	
-	
<2V	
300HZ	100HZ
0.5ms/0.5ms	1ms/1ms
<15%(Sr)	
<2.0%(Sr)	
IP67	
-25 °C - +70 °C	
<10%(Sr)	
YES	
220mA	
<10ms	
RFI>3V/m / EFT>1KV / ESD>4KV (contact)	
IEC 60947-5-2,Part 7.4.1 / IEC 60947-5-2,Part 7.4.2	
PBT	

LCM1-3022N-ARU4	33	LCM2-3040N-ARU4
LCM1-3022N-BRU4	34	LCM2-3040N-BRU4
LCM1-3022P-ARU4	35	LCM2-3040P-ARU4
LCM1-3022P-BRU4	36	LCM2-3040P-BRU4
LCM1-3022P-SRU4	38	LCM2-3040P-SRU4
LCM1-3022N-SRU4	37	LCM2-3040N-SRU4
LCM1-3022C-ARU4	40	LCM2-3040C-ARU4
LCM1-3022C-BRU4	78	LCM2-3040C-BRU4

approx.147g	approx.170g
-------------	-------------

DC LONG SENSING DISTANCE PROXIMITY SWITCH CONNECTOR TYPE

M 30	
●	○
22 mm	40 mm
nickel plated brass	
●	



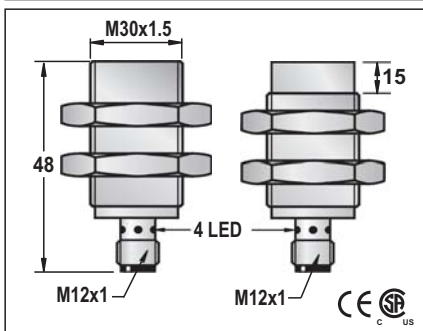
10-30VDC or 10-60VDC	
<10%	
<10mA	
200mA	
<0.05mA	
-	
-	
<2V	
300HZ	100HZ
0.5ms/0.5ms	1ms/1ms
<15%(Sr)	
<2.0%(Sr)	
IP67	
-25°C - +70°C	
<10%(Sr)	
YES	
220mA	
<10ms	
RFI>3V/m / EFT>1KV / ESD>4KV (contact)	
IEC 60947-5-2,Part 7.4.1 / IEC 60947-5-2,Part 7.4.2	
PBT	

LCM1-3022N-AZU4	41	LCM2-3040N-AZU4
LCM1-3022N-BZU4	42	LCM2-3040N-BZU4
LCM1-3022P-AZU4	43	LCM2-3040P-AZU4
LCM1-3022P-BZU4	44	LCM2-3040P-BZU4
LCM1-3022P-SZU4	41	LCM2-3040P-SZU4
LCM1-3022N-SZU4	42	LCM2-3040N-SZU4
LCM1-3022C-AZU4	43	LCM2-3040C-AZU4
LCM1-3022C-BZU4	44	LCM2-3040C-BZU4

Please see Page 18 for details and specifications of DC 2-Wire models on this page.

approx.187g	approx.179g
-------------	-------------

M30	
●	○
22 mm	40 mm
Nickel plated brass	
●	



10-30VDC or 10-60VDC	
<10%	
<10mA	
200mA	
<0.01mA	
-	
-	
<2.0V	
1KHZ	
0.1ms/0.1ms	
<15%	
<2.0%(Sr)	
IP67	
-25°C - +70°C	
<10%(Sr)	
YES	
220mA	
<10ms	
RFI>3V/m / EFT>1KV / ESD>4KV (contact)	
IEC 60947-5-2,Part 7.4.1 / IEC 60947-5-2,Part 7.4.2	
PA	

LCM1-3022N-ARS4	33	LCM2-3040N-ARS4
LCM1-3022N-BRS4	34	LCM2-3040N-BRS4
LCM1-3022P-ARS4	35	LCM2-3040P-ARS4
LCM1-3022P-BRS4	36	LCM2-3040P-BRS4
LCM1-3022P-SRS4	38	LCM2-3040P-SRS4
LCM1-3022N-SRS4	37	LCM2-3040N-SRS4
LCM1-3022C-ARS4	40	LCM2-3040C-ARS4
LCM1-3022C-BRS4	78	LCM2-3040C-BRS4

Please see Page 18 for details and specifications of DC 2-Wire models on this page.

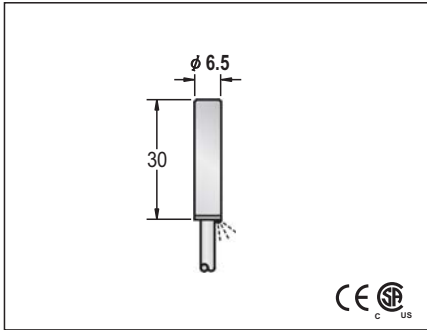
Approx.111 g	Approx.121 g
--------------	--------------

DC LONG SENSING DISTANCE PROXIMITY SWITCH CONNECTOR TYPE

DC SHORT BODY WITH LONG SENSING DISTANCE PROXIMITY SWITCH

DC SHORT BODY LONG SENSING DISTANCE PROXIMITY SWITCH

ϕ 6.5
●
3mm
nickel plated brass
●

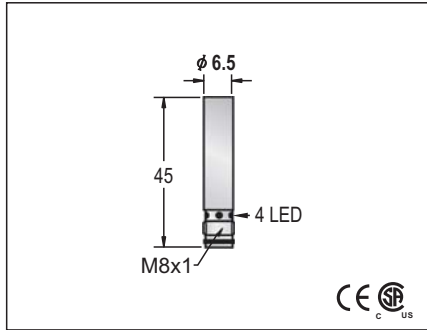


10-30VDC
<10%
<10mA
200mA
<0.01mA
-
<2.0V
1KHZ
0.1ms/0.1ms
<15%(Sr)
<2.0%(Sr)
IP67
-25°C - +70°C
<10%(Sr)
YES
220mA
<10ms
RFI>3V/m / EFT>1KV / ESD>4KV (contact)
IEC 60947-5-2, Part 7.4.1 / IEC 60947-5-2, Part 7.4.2
POM

LCM1-D0603N-A3S2	1
LCM1-D0603N-B3S2	2
LCM1-D0603P-A3S2	3
LCM1-D0603P-B3S2	4

3ϕ3x0.15
Approx.40 g

ϕ 6.5
●
3mm
nickel plated brass
●

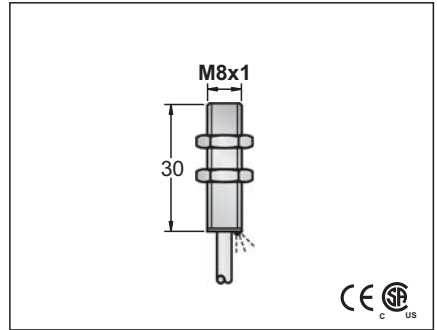


10-30VDC
<10%
<10mA
200mA
<0.01mA
-
<2.0V
1KHZ
0.1ms/0.1ms
<15%(Sr)
<2.0%(Sr)
IP67
-25°C - +70°C
<10%(Sr)
YES
220mA
<10ms
RFI>3V/m / EFT>1KV / ESD>4KV (contact)
IEC 60947-5-2, Part 7.4.1 / IEC 60947-5-2, Part 7.4.2
POM

LCM1-D0603N-ACS3	29
LCM1-D0603N-BCS3	29
LCM1-D0603P-ACS3	30
LCM1-D0603P-BCS3	30

Approx.35 g

M 8
●
3mm
nickel plated brass
●





10-30VDC
<10%
<10mA
200mA
<0.01mA
-
<2.0V
1KHZ
0.1ms/0.1ms
<15%(Sr)
<2.0%(Sr)
IP67
-25°C - +70°C
<10%(Sr)
YES
220mA
<10ms
RFI>3V/m / EFT>1KV / ESD>4KV (contact)
IEC 60947-5-2, Part 7.4.1 / IEC 60947-5-2, Part 7.4.2
POM

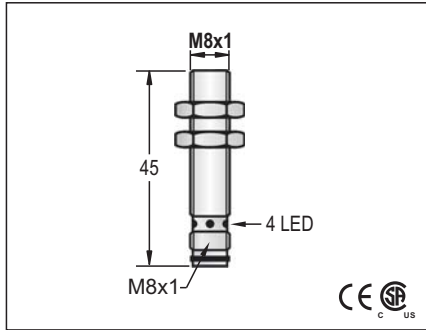
LCM1-0803N-A3S2	1
LCM1-0803N-B3S2	2
LCM1-0803P-A3S2	3
LCM1-0803P-B3S2	4

3ϕ3x0.15
Approx.47 g

DC SHORT BODY WITH LONG SENSING DISTANCE PROXIMITY SWITCH

DC SHORT BODY LONG SENSING DISTANCE PROXIMITY SWITCH



M 8

3mm
nickel plated brass


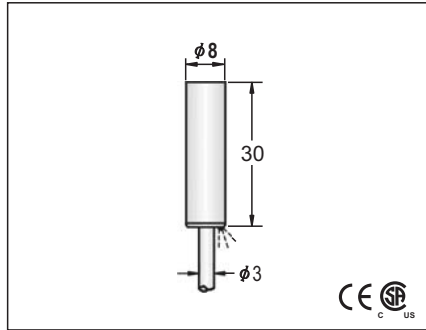


10-30VDC
<10%
<10mA
200mA
<0.01mA
-
-
<2.0V
1KHZ
0.1ms/0.1ms
<15%(Sr)
<2.0%(Sr)
IP67
-25°C - +70°C
<10%(Sr)
YES
220mA
<10ms
RFI>3V/m / EFT>1KV / ESD>4KV (contact)
IEC 60947-5-2,Part 7.4.1 / IEC 60947-5-2,Part 7.4.2
POM

LCM1-0803N-ACS3	25
LCM1-0803N-BCS3	25
LCM1-0803P-ACS3	26
LCM1-0803P-BCS3	26

Approx.42 g



ϕ 8

3mm
nickel plated brass


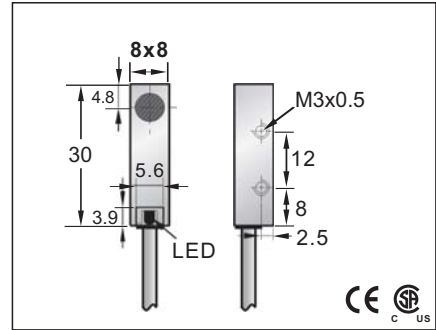


10-30VDC
<10%
<10mA
200mA
<0.01mA
-
-
<2.0V
1KHZ
0.1ms/0.1ms
<15%(Sr)
<2.0%(Sr)
IP67
-25°C - +70°C
<10%(Sr)
YES
220mA
<10ms
RFI>3V/m / EFT>1KV / ESD>4KV (contact)
IEC 60947-5-2,Part 7.4.1 / IEC 60947-5-2,Part 7.4.2
POM

LCM1-D0803N-A3S2	1
LCM1-D0803N-B3S2	2
LCM1-D0803P-A3S2	3
LCM1-D0803P-B3S2	4

3 ϕ 3x0.15
Approx.45 g

Q8

3 mm
die-cast




10-30VDC
<10%
<10mA
200mA
<0.01mA
-
-
<2.0V
1KHZ
0.1ms/0.1ms
<15%(Sr)
<2.0%(Sr)
IP67
-25°C - +70°C
<10%(Sr)
YES
220mA
<10ms
RFI>3V/m / EFT>1KV / ESD>4KV (contact)
IEC 60947-5-2,Part 7.4.1 / IEC 60947-5-2,Part 7.4.2
POM

LQM1-8803N-A3S2T	1
LQM1-8803N-B3S2T	2
LQM1-8803P-A3S2T	3
LQM1-8803P-B3S2T	4

3 ϕ 3X0.15
Approx.35 g

DC SHORT BODY WITH LONG SENSING DISTANCE PROXIMITY SWITCH

Q8	
●	
3 mm	
die-cast	
●	
CE US	
10-30VDC	
<10%	
<10mA	
200mA	
<0.01mA	
-	
-	
<2.0V	
1KHZ	
0.1ms/0.1ms	
<15%(Sr)	
<2.0%(Sr)	
IP67	
-25°C - +70°C	
<10%(Sr)	
YES	
220mA	
<10ms	
RFI>3V/m / EFT>1KV / ESD>4KV (contact)	
IEC 60947-5-2, Part 7.4.1 / IEC 60947-5-2, Part 7.4.2	
POM	
LQM1-8803N-ACS3T	29
LQM1-8803N-BCS3T	29
LQM1-8803P-ACS3T	30
LQM1-8803P-BCS3T	30
4φ 3x0.15	
Approx.25 g	

M12		
●		○
6 mm		10 mm
nickel plated brass		
●		
CE US		
10-30VDC		
<10%		
<10mA		
200mA		
<0.01mA		
-		
-		
<2.0V		
1KHZ		
0.1ms/0.1ms		
<15%(Sr)		
<2.0%(Sr)		
IP67		
-25°C - +70°C		
<10%(Sr)		
YES		
220mA		
<10ms		
RFI>3V/m / EFT>1KV / ESD>4KV (contact)		
IEC 60947-5-2, Part 7.4.1 / IEC 60947-5-2, Part 7.4.2		
POM		
LCM1-1206N-A3S2	1	LCM2-1210N-A3S2
LCM1-1206N-B3S2	2	LCM2-1210N-B3S2
LCM1-1206P-A3S2	3	LCM2-1210P-A3S2
LCM1-1206P-B3S2	4	LCM2-1210P-B3S2
4φ 3x0.15		
Approx.25 g		Approx.23 g

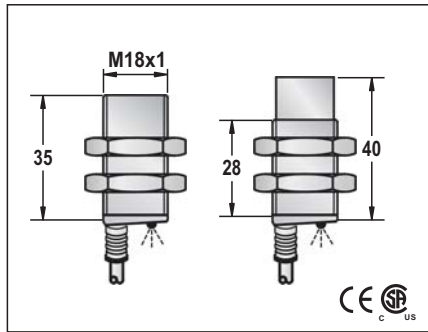
M12		
●		○
6 mm		10 mm
nickel plated brass		
●		
CE US		
10-30VDC		
<10%		
<10mA		
200mA		
<0.01mA		
-		
-		
<2.0V		
1KHZ		
0.1ms/0.1ms		
<15%(Sr)		
<2.0%(Sr)		
IP67		
-25°C - +70°C		
<10%(Sr)		
YES		
220mA		
<10ms		
RFI>3V/m / EFT>1KV / ESD>4KV (contact)		
IEC 60947-5-2, Part 7.4.1 / IEC 60947-5-2, Part 7.4.2		
POM		
LCM1-1206N-ARS4	33	LCM2-1210N-ARS4
LCM1-1206N-BRS4	34	LCM2-1210N-BRS4
LCM1-1206P-ARS4	35	LCM2-1210P-ARS4
LCM1-1206P-BRS4	36	LCM2-1210P-BRS4
4φ 3x0.15		
Approx.25 g		Approx.23 g

DC SHORT BODY LONG SENSING DISTANCE PROXIMITY SWITCH

DC SHORT BODY WITH LONG SENSING DISTANCE PROXIMITY SWITCH

DC SHORT BODY LONG SENSING DISTANCE PROXIMITY SWITCH

M18	
●	○
12 mm	20 mm
nickel plated brass	
●	

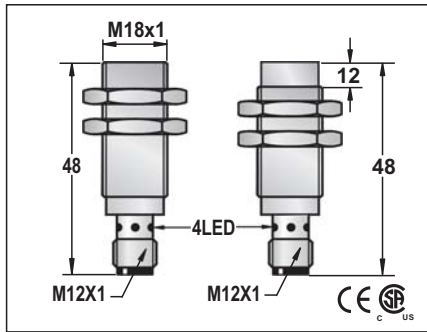


10-30VDC or 10-60VDC	
<10%	
<10mA	
200mA	
<0.01mA	
-	
-	
<2.0V	
1KHZ	
0.1ms/0.1ms	
<15%(Sr)	
<2.0%(Sr)	
IP67	
-25 °C - +70 °C	
<10%(Sr)	
YES	
220mA	
<10ms	
RFI>3V/m / EFT>1KV / ESD>4KV (contact)	
IEC 60947-5-2,Part 7.4.1 / IEC 60947-5-2,Part 7.4.2	
POM	

LCM1-1812N-A3S2	1	LCM2-1820N-A3S2
LCM1-1812N-B3S2	2	LCM2-1820N-B3S2
LCM1-1812P-A3S2	3	LCM2-1820P-A3S2
LCM1-1812P-B3S2	4	LCM2-1820P-B3S2
LCM1-1812P-S4S2	6	LCM2-1820P-S4S2
LCM1-1812N-S4S2	5	LCM2-1820N-S4S2
LCM1-1812C-A2S2	7	LCM2-1820C-A2S2
LCM1-1812C-B2S2	8	LCM2-1820C-B2S2

5.0 φ 44x0.1	
Approx.132 g	Approx.134 g

M18	
●	○
12 mm	20 mm
nickel plated brass	
●	

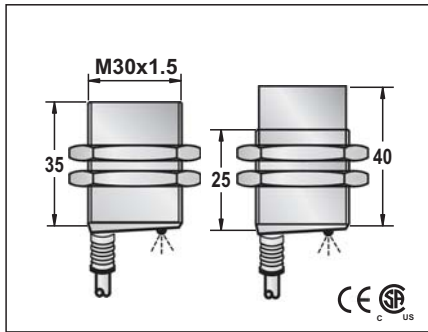


10-30VDC or 10-60VDC	
<10%	
<10mA	
200mA	
<0.01mA	
-	
-	
<2.0V	
1KHZ	
0.1ms/0.1ms	
<15%(Sr)	
<2.0%(Sr)	
IP67	
-25 °C - +70 °C	
<10%(Sr)	
YES	
220mA	
<10ms	
RFI>3V/m / EFT>1KV / ESD>4KV (contact)	
IEC 60947-5-2,Part 7.4.1 / IEC 60947-5-2,Part 7.4.2	
POM	

LCM1-1812N-ARS4	33	LCM2-1820N-ARS4
LCM1-1812N-BRS4	34	LCM2-1820N-BRS4
LCM1-1812P-ARS4	35	LCM2-1820P-ARS4
LCM1-1812P-BRS4	36	LCM2-1820P-BRS4
LCM1-1812P-SRS4	38	LCM2-1820P-SRS4
LCM1-1812N-SRS4	37	LCM2-1820N-SRS4
LCM1-1812C-ARS4	40	LCM2-1820C-ARS4
LCM1-1812C-BRS4	78	LCM2-1820C-BRS4

Please see Page 18 for details and specifications of DC 2-Wire models on this page.	
Approx.25 g Approx.23 g	

M30	
●	○
22 mm	40 mm
nickel plated brass	
●	



10-30VDC or 10-60VDC	
<10%	
<10mA	
200mA	
<0.01mA	
-	
-	
<2.0V	
1KHZ	
0.1ms/0.1ms	
<15%(Sr)	
<2.0%(Sr)	
IP67	
-25 °C - +70 °C	
<10%(Sr)	
YES	
220mA	
<10ms	
RFI>3V/m / EFT>1KV / ESD>4KV (contact)	
IEC 60947-5-2,Part 7.4.1 / IEC 60947-5-2,Part 7.4.2	
POM	

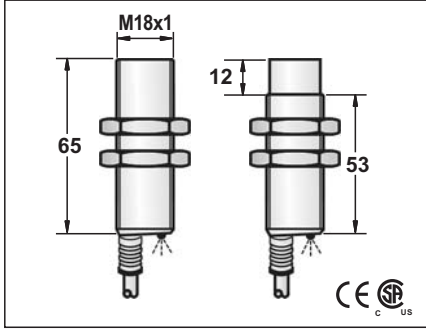
LCM1-3022N-A3S2	1	LCM2-3040N-A3S2
LCM1-3022N-B3S2	2	LCM2-3040N-B3S2
LCM1-3022P-A3S2	3	LCM2-3040P-A3S2
LCM1-3022P-B3S2	4	LCM2-3040P-B3S2
LCM1-3022P-S4S2	6	LCM2-3040P-S4S2
LCM1-3022N-S4S2	5	LCM2-3040N-S4S2
LCM1-3022C-A2S2	7	LCM2-3040C-A2S2
LCM1-3022C-B2S2	8	LCM2-3040C-B2S2

5.8 φ 3 x0.5	
Approx.180 g	Approx.182 g

AC/DC LONG SENSING DISTANCE PROXIMITY SWITCH

AC/DC LONG SENSING DISTANCE PROXIMITY SWITCH

M 18	
●	○
12 mm	20 mm
nickel plated brass	
●	

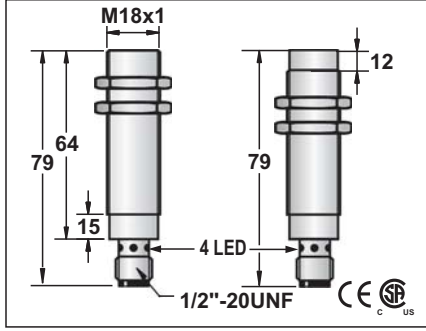


20-250VAC/DC	
<10%	
<10mA	
200mA	
<0.05mA	
-	
<2V	
300HZ 0.5ms/0.5ms	100HZ 1ms/1ms
<15%(Sr)	
<2.0%(Sr)	
IP67	
-25 °C - +70 °C	
<10%(Sr)	
YES	
220mA	
<10ms	
RFI>3V/m / EFT>1KV / ESD>4KV (contact)	
IEC 60947-5-2,Part 7.4.1 / IEC 60947-5-2,Part 7.4.2	
PBT	

LCM1-1812U-A2L2	11	LCM2-1820U-A2L2
LCM1-1812U-B2L2	12	LCM2-1820U-B2L2

5.0 ϕ 44x0.1	
Approx.132 g	Approx.134 g

M 18	
●	○
12 mm	20 mm
nickel plated brass	
●	

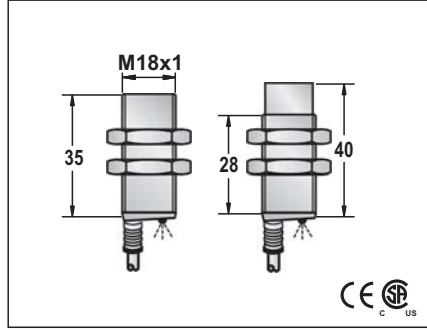


20-250VAC/DC	
<10%	
<10mA	
200mA	
<0.05mA	
-	
<2V	
300HZ 0.5ms/0.5ms	100HZ 1ms/1ms
<15%(Sr)	
<2.0%(Sr)	
IP67	
-25 °C - +70 °C	
<10%(Sr)	
YES	
220mA	
<10ms	
RFI>3V/m / EFT>1KV / ESD>4KV (contact)	
IEC 60947-5-2,Part 7.4.1 / IEC 60947-5-2,Part 7.4.2	
PBT	

LCM1-1812U-AUL3	56	LCM2-1820U-AUL3
LCM1-1812U-BUL3	56	LCM2-1820U-BUL3

approx.66g		approx.70g
------------	--	------------

M18	
●	○
12 mm	20 mm
nickel plated brass	
●	



20-250VAC/DC	
<10%	
<10mA	
200mA	
<0.01mA	
-	
<2.0V	
1KHZ	
0.1ms/0.1ms	
<15%(Sr)	
<2.0%(Sr)	
IP67	
-25 °C - +70 °C	
<10%(Sr)	
YES	
220mA	
<10ms	
RFI>3V/m / EFT>1KV / ESD>4KV (contact)	
IEC 60947-5-2,Part 7.4.1 / IEC 60947-5-2,Part 7.4.2	
POM	

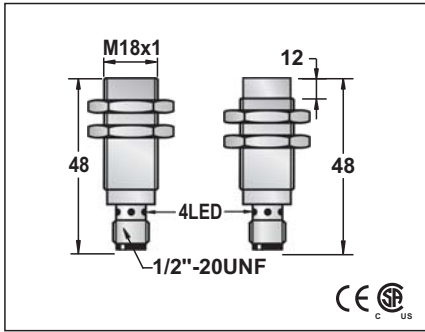
LCM1-1812U-A2S2	11	LCM2-1820U-A2S2
LCM1-1812U-B2S2	12	LCM2-1820U-B2S2

5.0 ϕ 44x0.1	
Approx.110 g	Approx.114 g

M18、 M30

AC/DC LONG SENSING DISTANCE PROXIMITY SWITCH

M18	
●	○
12 mm	20 mm
nickel plated brass	
●	

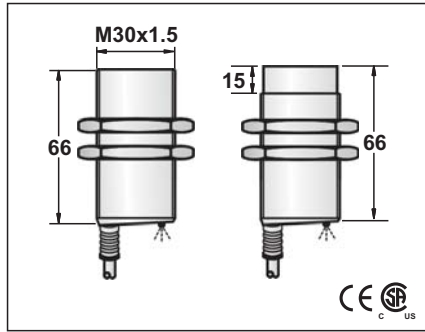


20-250VAC/DC	
<10%	
<10mA	
200mA	
<0.01mA	
-	
<2.0V	
1KHZ	
0.1ms/0.1ms	
<15%(Sr)	
<2.0%(Sr)	
IP67	
-25 °C - +70 °C	
<10%(Sr)	
YES	
220mA	
<10ms	
RFI>3V/m / EFT>1KV / ESD>4KV (contact)	
IEC 60947-5-2,Part 7.4.1 / IEC 60947-5-2,Part 7.4.2	
POM	

LCM1-1812U-AUS3	56	LCM2-1820U-AUS3
LCM1-1812U-BUS3	56	LCM2-1820U-BUS3

Approx.25 g		Approx.23 g	
-------------	--	-------------	--

M 30	
●	○
22 mm	40 mm
nickel plated brass	
●	

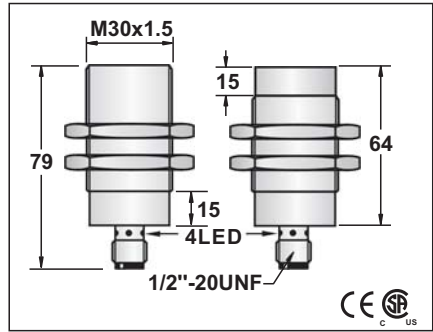


20-250VAC/DC	
<10%	
<10mA	
200mA	
<0.05mA	
-	
<2V	
300HZ 100HZ	
0.5ms/0.5ms	1ms/1ms
<15%(Sr)	
<2.0%(Sr)	
IP67	
-25 °C - +70 °C	
<10%(Sr)	
YES	
220mA	
<10ms	
RFI>3V/m / EFT>1KV / ESD>4KV (contact)	
IEC 60947-5-2,Part 7.4.1 / IEC 60947-5-2,Part 7.4.2	
PBT	

LCM1-3022U-A2L2	11	LCM2-3040U-A2L2
LCM1-3022U-B2L2	12	LCM2-3040U-B2L2

5.8φ3x0.5		Approx.231 g		Approx.241 g	
-----------	--	--------------	--	--------------	--

M 30	
●	○
22 mm	40 mm
nickel plated brass	
●	



20-250VAC/DC	
<10%	
<10mA	
200mA	
<0.05mA	
-	
<2V	
300HZ 100HZ	
0.5ms/0.5ms	1ms/1ms
<15%(Sr)	
<2.0%(Sr)	
IP67	
-25 °C - +70 °C	
<10%(Sr)	
YES	
220mA	
<10ms	
RFI>3V/m / EFT>1KV / ESD>4KV (contact)	
IEC 60947-5-2,Part 7.4.1 / IEC 60947-5-2,Part 7.4.2	
PBT	

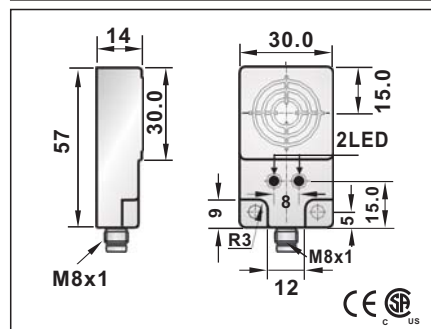
LCM1-3022U-AUL3	56	LCM2-3040U-AUL3
LCM1-3022U-BUL3	56	LCM2-3040U-BUL3

approx.147g		approx.170g	
-------------	--	-------------	--

Q14、Q16x28x10

LONG SENSING DISTANCE PROXIMITY SWITCH SQUARE TYPE

Q 14
●
22 mm
PBT RESIN
●

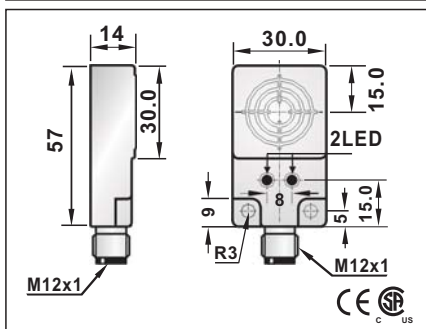


10-30VDC
<10%
<20mA
200mA
<0.01mA
-
-
<2.0V
300HZ
0.5ms/0.5ms
<15%(Sr)
<1.0%(Sr)
IP67
-25 °C - +70 °C
<10%(Sr)
YES
220mA
<10ms
RFI>3V/m / EFT>1KV / ESD>4KV (contact)
IEC 60947-5-2,Part 7.4.1 / IEC 60947-5-2,Part 7.4.2
PBT

LQP1-1422N-ACU3T	1
LQP1-1422N-BCU3T	2
LQP1-1422P-ACU3T	3
LQP1-1422P-BCU3T	4

Approx.70 g

Q 14
●
22 mm
PBT RESIN
●

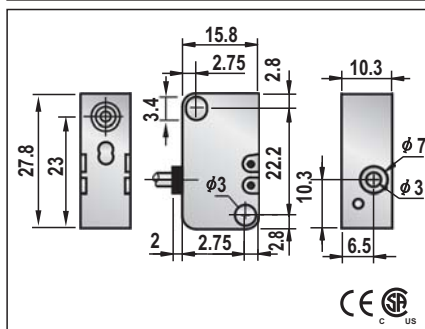


10-30VDC or 20-250VDC/AC
<10%
<20mA
200mA
<0.01mA
-
-
<2.0V
300HZ
0.5ms/0.5ms
<15%(Sr)
<1.0%(Sr)
IP67
-25 °C - +70 °C
<10%(Sr)
YES
220mA
<10ms
RFI>3V/m / EFT>1KV / ESD>4KV (contact)
IEC 60947-5-2,Part 7.4.1 / IEC 60947-5-2,Part 7.4.2
PBT

LQP1-1422N-ARU4T	33
LQP1-1422N-BRU4T	34
LQP1-1422P-ARU4T	35
LQP1-1422P-BRU4T	36

4 φ 3x0.15
Approx.80 g

Q16x28x10	
●	○
3 mm	6 mm
PBT RESIN	
●	



10-30VDC
<10%
<10mA
200mA
<0.01mA
-
-
<2.0V
300HZ
0.5ms/0.5ms
<15%(Sr)
<1.0%(Sr)
IP67
-25 °C - +70 °C
<10%(Sr)
YES
220mA
<10ms
RFI>3V/m / EFT>1KV / ESD>4KV (contact)
IEC 60947-5-2,Part 7.4.1 / IEC 60947-5-2,Part 7.4.2
PBT

LQP1-2803N-A3U2X	1	LQP2-2806N-A3U2X
LQP1-2803N-B3U2X	2	LQP2-2806N-B3U2X
LQP1-2803P-A3U2X	3	LQP2-2806P-A3U2X
LQP1-2803P-B3U2X	4	LQP2-2806P-B3U2X

3 φ 3x0.15
Approx.55 g

LONG SENSING DISTANCE PROXIMITY SWITCH SQUARE TYPE

