

PART O-1 ~ O-15

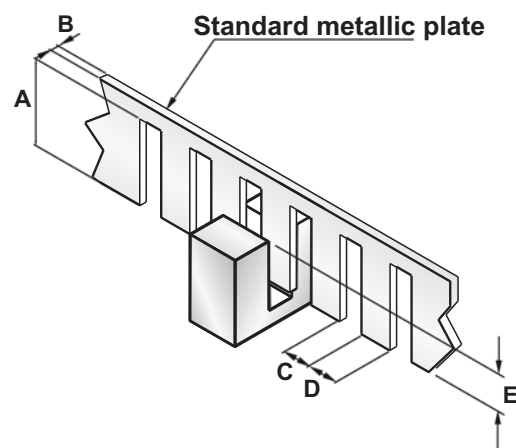
Slot Wide
● Shielded ○ non-Shielded
Switching Distance Sn mm
Housing Material
● With LED ○ Without LED
Dimensions (unit: mm)
Operating Voltage
Ripple
No Load Current
Max. Load Current
Leakge Current
Surge Current
Min. Load Current
Voltage Drop
Switching Frequency
Switch Point With Fe Test Plate
Switching Hysteresis
Repeat Accuracy
Protection Category
Operating Temperature
Temperature Drift
Test Plate(Min. dimentions Fe and non Fe)
Reverse Polarity Protection
Short Circuit Protection
Overload Trip Point
EMC
Shock / Vibration
DC 3 wire 10-30V NPN N.O.
DC 3 wire 10-30V NPN N.C.
DC 3 wire 10-30V PNP N.O.
DC 3 wire 10-30V PNP N.C.
DC 4 wire 10-30V Changeover PNP (N.O. & N.C.)
DC 4 wire 10-30V Changeover NPN (N.O. & N.C.)
DC 2 wire 10-60V N.O.
DC 2 wire 10-60V N.C.
DC 3 wire 10-55v NPN N.O.
DC 3 wire 10-55v NPN N.C.
DC 3 wire 10-55v PNP N.O.
DC 3 wire 10-55v PNP N.C.
AC 2 wire 20-250V N.O.
AC 2 wire 20-250V N.C.
AC/DC 2 wire 20-250V N.O.
AC/DC 2 wire 20-250V N.C.
NAMUR
Remark
Cable 2M (PVC)
Weight

SLOT TYPE INDUCTIVE PROXIMITY SWITCH

Principle of operation

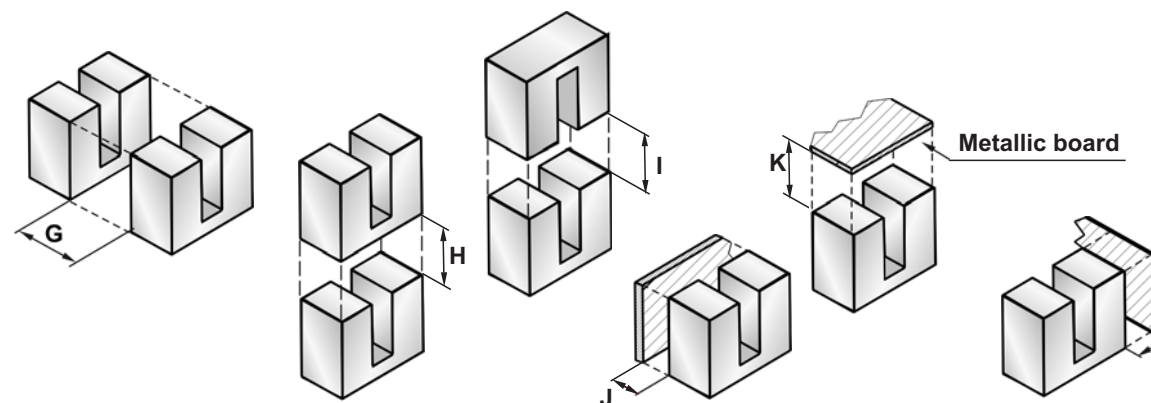
Since the electromagnetic field of this type sensors is concentrated between two axially positioned coil, the sensor will operate when a metallic target approach with its center maintained on the axis. The perpendicular switching axis ensure high repeatability precision in insertion type sensing applications, even when slight deviations along the approach axis occur.

Applications



Model	Size	A	B	C	D	E
UUP2-U3.510 ...	11mm	0.2mm	2.0mm	4.0mm	9.0mm	
UUP2-U0509 ...	11mm	0.2mm	3.0mm	5.0mm	9.0mm	
UUP2-U0519 ... HUP2-U0519 ...	17mm	0.2mm	6.0mm	9.0mm	15.0mm	
UUP2-U1032 ... HUP2-U1032 ...	28mm	0.5mm	8.0mm	15.0mm	25.0mm	
UUP2-U1542 ... HUP2-U1542 ...	33mm	0.5mm	12.0mm	18.0mm	30.0mm	
UUP2-U3080 ... HUP2-U3080 ...	50mm	0.5mm	18.0mm	27.0mm	47.0mm	

Mounting considerations



Model	Size	G	H	I	J	K	E
UUP2-U3.510 ...		>15mm	>5mm	>15mm	>0mm	>0mm	>0mm
UUP2-U0509 ...		>10mm	>0mm	>5mm	>0mm	>0mm	>0mm
UUP2-U0519 ... HUP2-U0519 ...		>20mm	>0mm	>5mm	>0mm	>0mm	>0mm
UUP2-U1032 ... HUP2-U1032 ...		>25mm	>5mm	>25mm	>5mm	>5mm	>5mm
UUP2-U1542 ... HUP2-U1542 ...		>30mm	>10mm	>30mm	>5mm	>5mm	>5mm
UUP2-U3080 ... HUP2-U3080 ...		>30mm	>0mm	>30mm	>10mm	>10mm	>10mm

