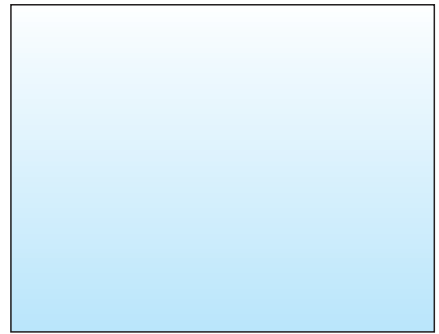
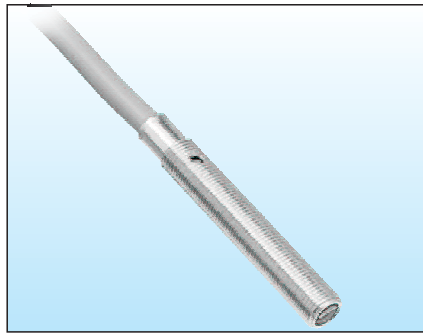


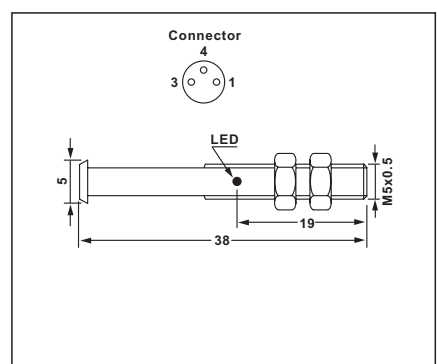
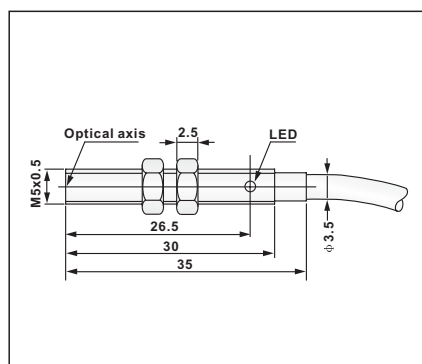
- High operating distance up to 50mm.
- Very small housing.
- Complete device, no amplifier needed.
- Voltage range 10V...30V DC, output current 100mA short circuit protected.
- Optical parts made of glass, easy cleaning.



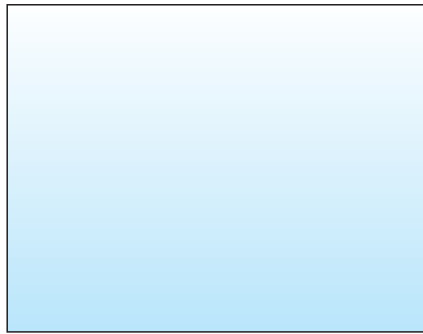
Sensing type	Diffuse reflection	Diffuse reflection
Sensing distance	0...50 mm	0...50 mm
Model description		
PNP 50mm	M5-D0050P-LX9C3U2	M5-D0050P-LX9Q3UM/SN
NPN 50mm	M5-D0050N-LX9C3U2	M5-D0050N-LX9Q3UM/SN
Light source	LED	●
Reference target	Standard white, 100mm x 100mm	●
Light type	Infrared, alternating light	●
Ambient light limit	10000 Lux	●
Function display	Switching state: LED yellow Pre-fault indicator: LED yellow flashing	●
Operating voltage	10...30V DC	●
Ripple	10%	●
No-load supply current I_0	≤ 15 mA	●
Time delay before availability t_v	≤ 20 ms	●
Switching type	Light ON	●
Signal output	1 switch output	●
Switching voltage	Max. 30V DC	●
Switching current	Max. 100 mA	●
Switching frequency f	≤ 250 Hz	●
Response time	≤ 3 ms	●
Ambient temperature	0...55°C(273...328K)	●
Protection degree	IP67	●
Connection	2 m PVC cable	Connector(M5x0.5), 3-pin, snap in
Housing material	V2A	●
Optical face material	Scratch resistant mineral glass lens	●

Dimensions

All dimensions in mm



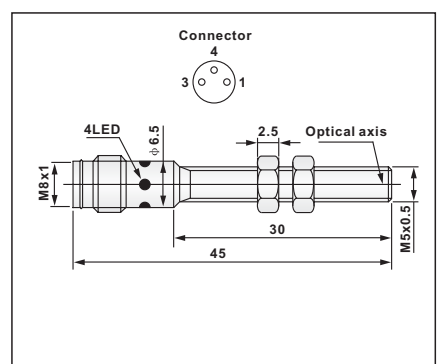
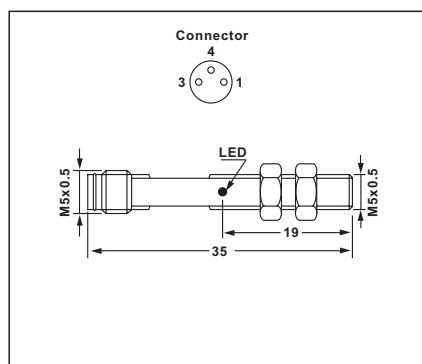
- High operating distance up to 50mm.
- Very small housing.
- Complete device, no amplifier needed.
- Voltage range 10V...30V DC, output current 100mA short circuit protected.
- Optical parts made of glass, easy cleaning.



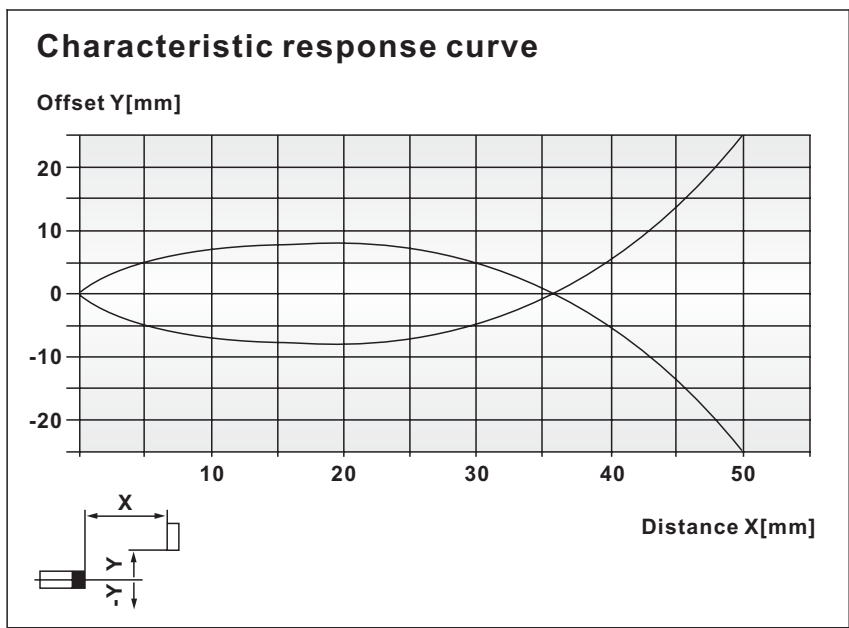
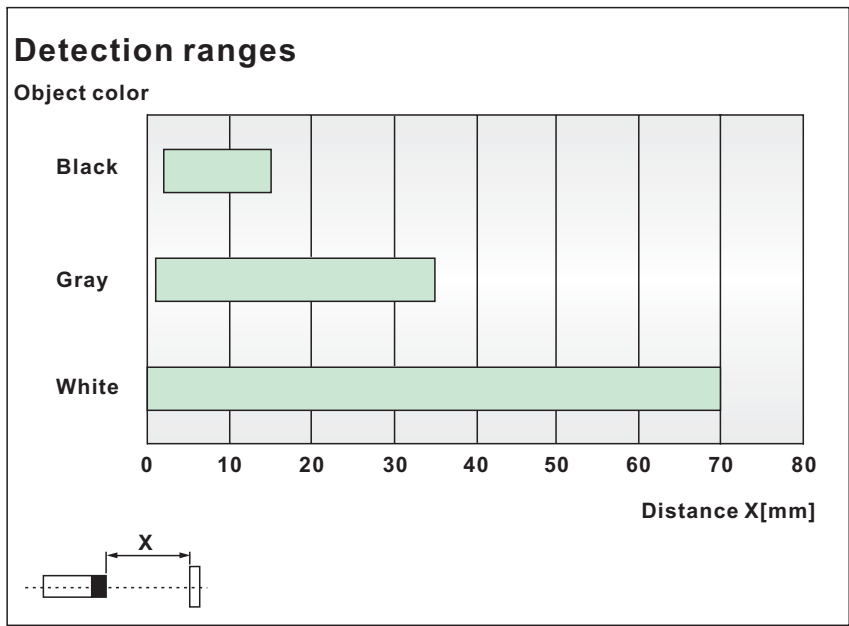
Sensing type	Diffuse reflection	Diffuse reflection
Sensing distance	0...50 mm	0...50 mm
Model description		
PNP 50mm	M5-D0050P-LX9Q3UM	M5-D0050P-LX9Q3UP
NPN 50mm	M5-D0050N-LX9Q3UM	M5-D0050N-LX9Q3UP
Light source	LED	●
Reference target	Standard white, 100mm x 100mm	●
Light type	Infrared, alternating light	●
Ambient light limit	10000 Lux	●
Function display	Switching state: LED yellow Pre-fault indicator: LED yellow flashing	●
Operating voltage	10...30V DC	●
Ripple	10%	●
No-load supply current I_0	≤ 15 mA	●
Time delay before availability t_v	≤ 20 ms	●
Switching type	Light ON	●
Signal output	1 switch output	●
Switching voltage	Max. 30V DC	●
Switching current	Max. 100 mA	●
Switching frequency f	≤ 250 Hz	●
Response time	≤ 3 ms	●
Ambient temperature	0...55°C(273...328K)	●
Protection degree	IP67	●
Connection	Connector(M5x0.5), 3-pin	Connector(M8x1), 3-pin
Housing material	V2A	●
Optical face material	Scratch resistant mineral glass lens	●

Dimensions

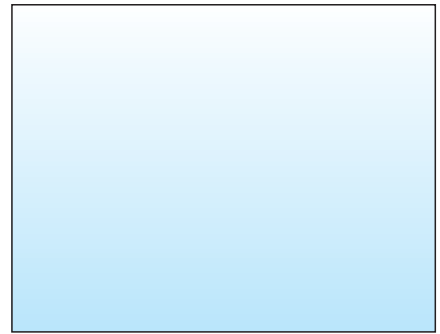
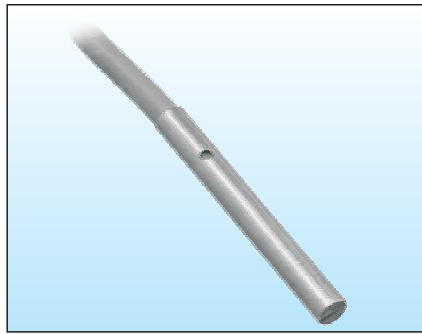
All dimensions in mm



Curves/Diagrams



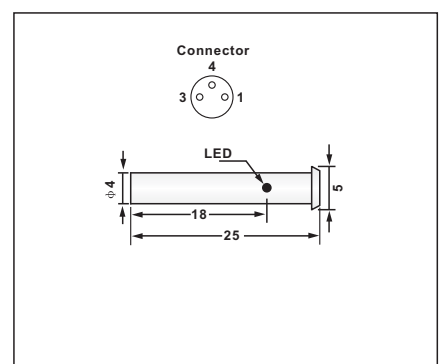
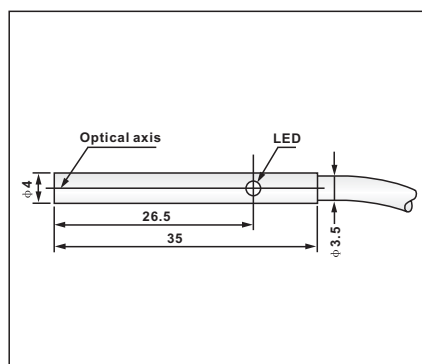
- Large sensor range up to 50mm.
- Very small housing.
- Complete device, no amplifier needed.
- Voltage range 10V...30V DC, output current 100mA short circuit protected.
- Optical parts made of glass, easy cleaning.



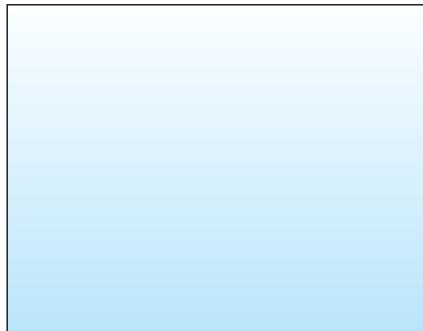
Sensing type	Diffuse reflection	Diffuse reflection
Sensing distance	0...50 mm	0...50 mm
Model description		
PNP 50mm	φ 4-D0050P-LX9C3U2	φ 4-D0050P-LX9Q3UM/SN
NPN 50mm	φ 4-D0050N-LX9C3U2	φ 4-D0050N-LX9Q3UM/SN
Light source	LED	●
Reference target	Standard white, 100mm x 100mm	●
Light type	Infrared, alternating light	●
Ambient light limit	10000 Lux	●
Function display	Switching state: LED yellow	●
	Pre-fault indicator: LED yellow flashing	●
Operating voltage	10...30V DC	●
Ripple	10%	●
No-load supply current I₀	≤15 mA	●
Time delay before availability t_v	≤20 ms	●
Switching type	Light ON	●
Signal output	1 switch output	●
Switching voltage	Max. 30V DC	●
Switching current	Max. 100 mA	●
Switching frequency f	≤250 Hz	●
Response time	≤3 ms	●
Ambient temperature	0...55°C(273...328K)	●
Protection degree	IP67	●
Connection	2 m PVC cable	Connector(M5x0.5), 3-pin, snap in
Housing material	V2A	●
Optical face material	Scratch resistant mineral glass lens	●

Dimensions

All dimensions in mm



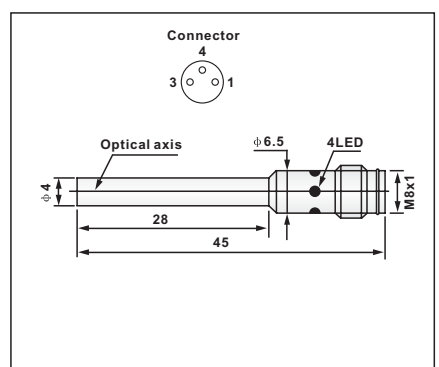
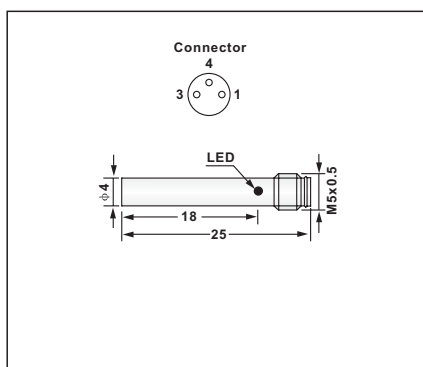
- Large sensor range up to 50mm.
- Very small housing.
- Complete device, no amplifier needed.
- Voltage range 10V...30V DC, output current 100mA short circuit protected.
- Optical parts made of glass, easy cleaning.



Sensing type	Diffuse reflection	Diffuse reflection
Sensing distance	0...50 mm	0...50 mm
Model description		
PNP 50mm	Φ 4-D0050P-LX9Q3UM	Φ 4-D0050P-LX9Q3UP
NPN 50mm	Φ 4-D0050N-LX9Q3UM	Φ 4-D0050N-LX9Q3UP
Light source	LED	●
Reference target	Standard white, 100mm x 100mm	●
Light type	Infrared, alternating light	●
Ambient light limit	10000 Lux	●
Function display	Switching state: LED yellow Pre-fault indicator: LED yellow flashing	●
Operating voltage	10...30V DC	●
Ripple	10%	●
No-load supply current I_0	≤15 mA	●
Time delay before availability t_v	≤20 ms	●
Switching type	Light ON	●
Signal output	1 switch output	●
Switching voltage	Max. 30V DC	●
Switching current	Max. 100 mA	●
Switching frequency f	≤250 Hz	●
Response time	≤3 ms	●
Ambient temperature	0...55°C(273...328K)	●
Protection degree	IP67	●
Connection	Connector(M5x0.5), 3-pin	Connector(M8x1), 3-pin
Housing material	V2A	●
Optical face material	Scratch resistant mineral glass lens	●

Dimensions

All dimensions in mm



Curves/Diagrams

