

# φ6.5、M8、M12

## PART H-01 ~ H-05

Diameter
● Shielded ○ non-Shielded
Switching Distance Sn mm
Housing Material
● With LED ○ Without LED

Dimensions (unit: mm)

Operating Voltage	6-12VDC
Ripple	-
No Load Current	<1.1mA(OFF) >2.2mA(ON)
Max. Load Current	-
Leakge Current	-
Surge Current	-
Min. Load Current	-
Voltage Drop	-
Switching Frequency	0.5KHZ
Response Time	0.2ms/0.2ms
Switching Hysteresis	<15%(Sr)
Repeat Accuracy	-
Protection Category	IP67
Operating Temperature	-25°C - +70°C
Temperature Drift	<2%(Sr)
Short Circuit Protection	-
Overload Trip Point	-
Time Delay Before Availability	<10ms
EMC	RFI>3V/m / EFT>1KV / ESD>4KV (contact)
Shock / Vibration	IEC 60947-5-2,Part 7.4.1 / IEC 60947-5-2,Part 7.4.2
Material Active Face	POM
DC 3 wire 10-30V NPN N.O.	
DC 3 wire 10-30V NPN N.C.	
DC 3 wire 10-30V PNP N.O.	
DC 3 wire 10-30V PNP N.C.	
DC 4 wire 10-30V Changeover PNP (N.O. & N.C.)	
DC 4 wire 10-30V Changeover NPN (N.O. & N.C.)	
DC 2 wire 10-60V N.O.	
DC 2 wire 10-60V N.C.	
DC 3 wire 10-55v NPN N.O. or NAMUR	FCU1-D0601NU 21 FCU2-D0602NU
DC 3 wire 10-55v NPN N.C.	
DC 3 wire 10-55v PNP N.C.	
DC 3 wire 5-36v NPN N.O.	
DC 3 wire 5-36v NPN N.C.	
DC 3 wire 5-36v PNP N.O.	
DC 3 wire 5-36v PNP N.C.	
AC/DC 4 wire 5-36v Changeover PNP (N.O. & N.C.)	
AC/DC 4 wire 5-36v Changeover NPN (N.O. & N.C.)	

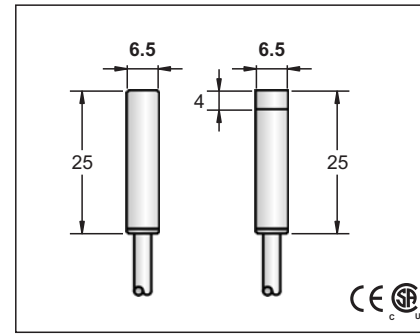
Remark

Cable 2M (PVC)

Weight

## NAMUR INDUCTIVE PROXIMITY SWITCH

φ6.5	
●	○
1 mm	2 mm
stainless steel or nickel plated brass	
○	



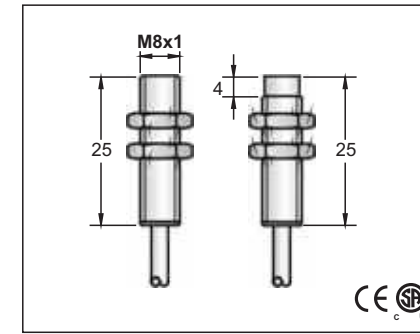
6-12VDC	
-	
<1.1mA(OFF) >2.2mA(ON)	
-	
-	
-	
-	
-	
0.5KHZ	
0.2ms/0.2ms	
<15%(Sr)	
-	
IP67	
-25°C - +70°C	
<2%(Sr)	
-	
-	
<10ms	
RFI>3V/m / EFT>1KV / ESD>4KV (contact)	
IEC 60947-5-2,Part 7.4.1 / IEC 60947-5-2,Part 7.4.2	
POM	

FCU1-D0601NU 21 FCU2-D0602NU

3 φ2x0.15

Approx.26 g

M 8	
●	○
1 mm	2 mm
stainless steel or nickel plated brass	
○	



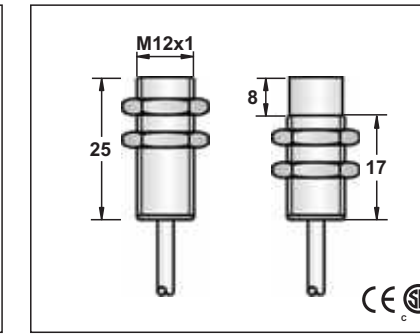
6-12VDC	
-	
<1.1mA(OFF) >2.2mA(ON)	
-	
-	
-	
-	
-	
2KHZ	
0.05ms/0.05ms	
1KHZ	
0.1ms/0.1ms	
<15%(Sr)	
-	
IP67	
-25°C - +70°C	
<2%(Sr)	
-	
-	
<10ms	
RFI>3V/m / EFT>1KV / ESD>4KV (contact)	
IEC 60947-5-2,Part 7.4.1 / IEC 60947-5-2,Part 7.4.2	
POM	

FCM1-0801NU 21 FCM2-0802NU

3 φ2x0.15

Approx.34 g

M 12	
●	○
2 mm	4 mm
stainless steel or nickel plated brass	
○	



6-12VDC	
-	
>2.2mA(OFF) <1.1mA(ON)	
-	
-	
-	
-	
-	
1KHZ	
0.1ms/0.1ms	
0.5KHZ	
0.2ms/0.2ms	
<15%(Sr)	
-	
IP67	
-25°C - +70°C	
<2%(Sr)	
-	
-	
<10ms	
RFI>3V/m / EFT>1KV / ESD>4KV (contact)	
IEC 60947-5-2,Part 7.4.1 / IEC 60947-5-2,Part 7.4.2	
POM PBT	

FCM1-1202NU 21 FCM2-1204NU

4 φ2x0.15

Approx.42 g Approx.41 g



