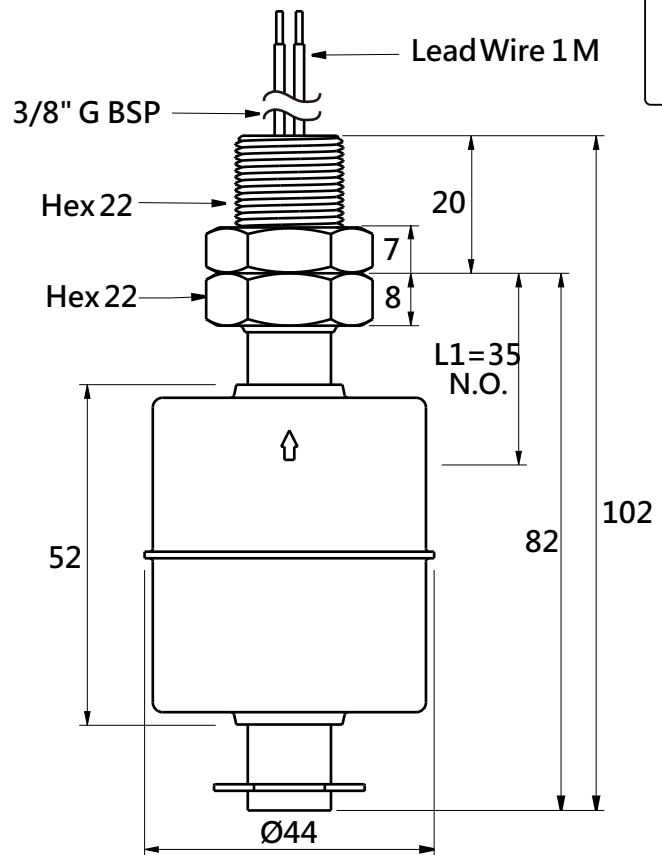


LCN-1340H



LCN-1340H	
Mounting Style	Internal
Mounting thread	3/8" G BSP
stem	SUS 316
Float	SUS 316L
Operation Temp.	-20°C To +200°C
Max.Pressure	25 bar
Float S.G.	0.68
Mini.Fluid S.G.	0.7
Contact Form	N/O(N/C) Reversible , SPST
Switch Rating VA	50W
Switching Voltage Max.	240Vac/200Vdc
Switching Current Max.	0.5
Carry Current Max.	1A
Lead Wires	UL 1332 FEP XLPE AWG 22 x 1M