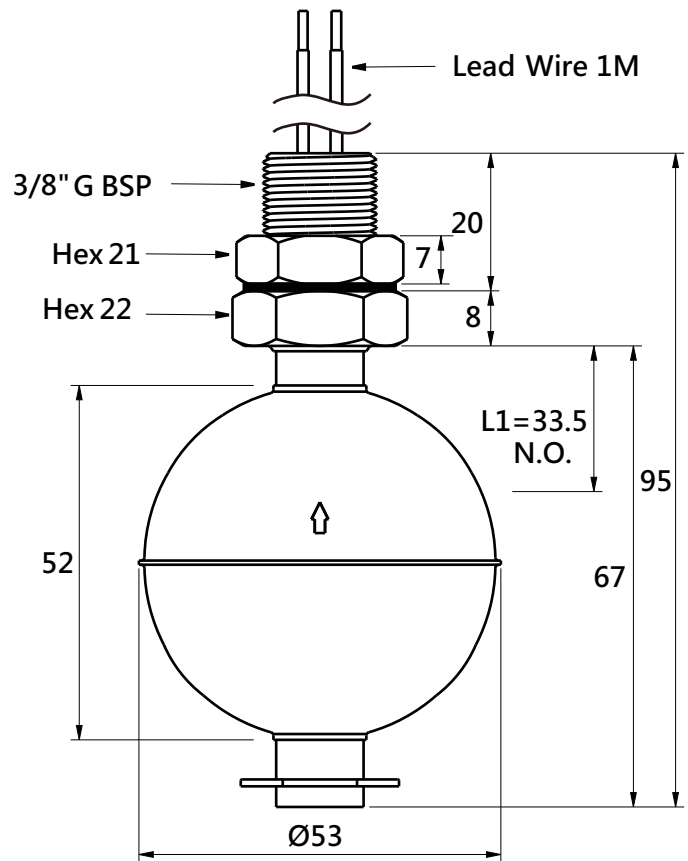


# LCN-1331



LCN-1331	
Mounting Style	Internal
Mounting thread	$3/8''$ G BSP
stem	SUS 316
Float	SUS 316L
Operation Temp.	$-20^{\circ}\text{C}$ To $+120^{\circ}\text{C}$
Max.Pressure	30 bar
Float S.G.	0.5
Mini.Fluid S.G.	0.6
Contact Form	N/O(N/C) Reversible , SPST
Switch Rating VA	50W
Switching Voltage Max.	240Vac/200Vdc
Switching Current Max.	0.5
Carry Current Max.	1A
Lead Wires	UL 3266 AWG 22 XLPE Lead Wire 1M