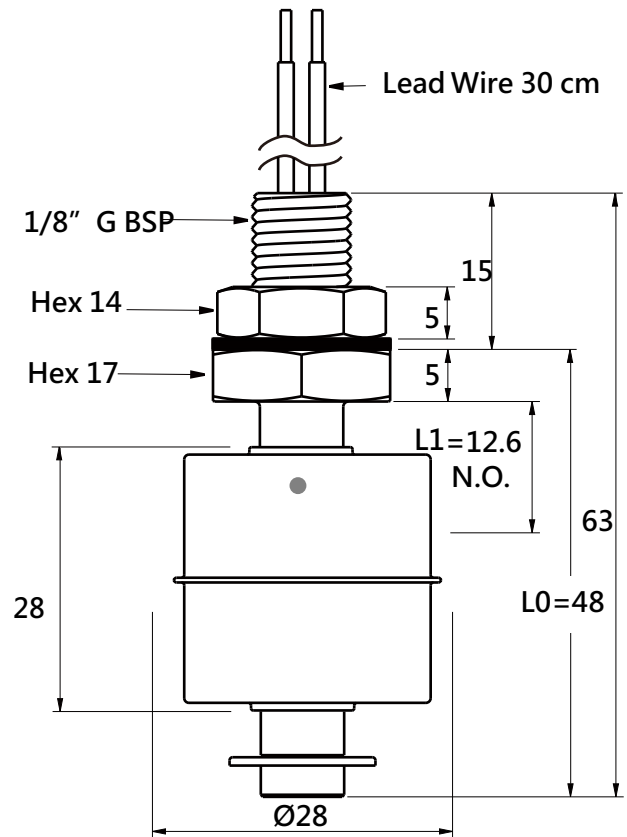


# LCN-1119



LCN-1119	
Mounting Style	Internal
Mounting thread	1/8" G BSP
stem	SUS 316
Float	SUS 316L
Operation Temp.	-20°C To +120°C
Max.Pressure	10 bar
Float S.G.	0.7
Mini.Fluid S.G.	0.8
Contact Form	N/O(N/C) Reversible , SPST
Switch Rating VA	50W
Switching Voltage Max.	240Vac/200Vdc
Switching Current Max.	0.5
Carry Current Max.	1A
Lead Wires	UL 3266 AWG 22 XLPE Lead Wire 30 cm