

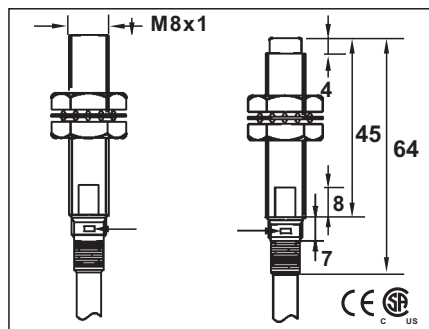
PART G-01 ~ G-38

Diameter
● Shielded ○ non-Shielded
Switching Distance Sn mm
Housing Material
● With LED ○ Without LED
Dimensions (unit: mm)
Operating Voltage
Ripple
No Load Current
Max. Load Current
Leakge Current
Surge Current
Min. Load Current
Voltage Drop
Switching Frequency
Response Time
Switching Hysteresis
Repeat Accuracy
Protection Category
Operating Temperature
Temperature Drift
Short Circuit Protection
Overload Trip Point
Time Delay Before Availability
EMC
Shock / Vibration
Material Active Face
DC 3 wire 10-30V NPN N.O.
DC 3 wire 10-30V NPN N.C.
DC 3 wire 10-30V PNP N.O.
DC 3 wire 10-30V PNP N.C.
DC 4 wire 10-30V Changeover PNP (N.O. & N.C.)
DC 4 wire 10-30V Changeover NPN (N.O. & N.C.)
DC 2 wire 10-60V N.O.
DC 2 wire 10-60V N.C.
DC 3 wire 10-55v NPN N.O. or NAMUR
DC 3 wire 10-55v NPN N.C.
DC 3 wire 10-55v PNP N.O.
DC 3 wire 10-55v PNP N.C.
DC 3 wire 5-36V NPN N.O.
DC 3 wire 5-36V NPN N.C.
DC 3 wire 5-36V PNP N.O.
DC 3 wire 5-36V PNP N.C.
DC 4 wire 5-36V Changeover PNP (N.O & N.C.)
DC 4 wire 5-36V Changeover NPN (N.O & N.C.)
Remark
Cable 2M (PVC)
Weight

Please put each catalog page in the blank. The specification on the left will help your reading.

HIGH TORQUE, LONG SENSING DISTANCE PROXIMITY SWITCH

M8	
●	○
3.0 mm	6.0 mm
Stainless steel	
●	

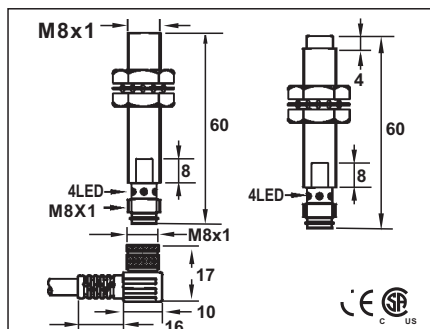


10-30VDC	
<10%	
<10mA	
200mA	
<0.01mA	
-	
-	
< 2.0 V	
2KHZ	1KHZ
0.1ms/0.1ms	0.2ms/0.2ms
<15%(Sr)	
<1.0%(Sr)	
IP67	
-25°C - +70 °C	
<10%(Sr)	
YES	
220mA	
<10ms	
RFI>3V/m / EFT>1KV / ESD>4KV (contact)	
IEC 60947-5-2,Part 7.4.1 / IEC 60947-5-2,Part 7.4.2	
PBT	

LCN1-0803N-A3U2	1	LCN2-0806N-A3U2
LCN1-0803N-B3U2	2	LCN2-0806N-B3U2
LCN1-0803P-A3U2	3	LCN2-0806P-A3U2
LCN1-0803P-B3U2	4	LCN2-0806P-B3U2

3.0 ϕ 3x0.15
Approx.40 g

M8	
●	○
3.0 mm	6.0 mm
Stainless steel	
●	

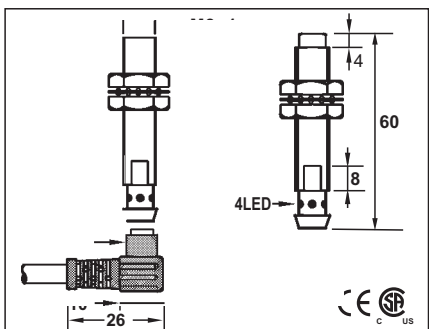


10-30VDC	
<10%	
<10mA	
200mA	
<0.01mA	
-	
-	
< 2.0 V	
2KHZ	1KHZ
0.1ms/0.1ms	0.2ms/0.2ms
<15%(Sr)	
<1.0%(Sr)	
IP67	
-25°C - +70 °C	
<10%(Sr)	
YES	
220mA	
<10ms	
RFI>3V/m / EFT>1KV / ESD>4KV (contact)	
IEC 60947-5-2,Part 7.4.1 / IEC 60947-5-2,Part 7.4.2	
PBT	

LCN1-0803N-ACU3	25	LCN2-0806N-ACU3
LCN1-0803N-BCU3	25	LCN2-0806N-BCU3
LCN1-0803P-ACU3	26	LCN2-0806P-ACU3
LCN1-0803P-BCU3	26	LCN2-0806P-BCU3

Approx.25 g

M8	
●	○
3.0 mm	6.0 mm
Stainless steel	
●	



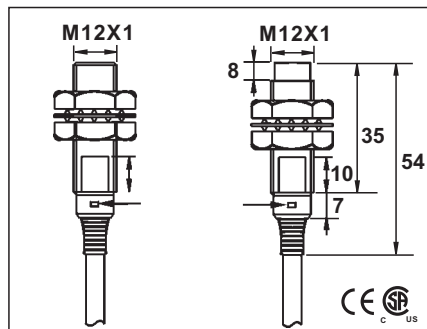
10-30VDC	
<10%	
<10mA	
200mA	
<0.01mA	
-	
-	
< 2.0 V	
2KHZ	1KHZ
0.1ms/0.1ms	0.2ms/0.2ms
<15%(Sr)	
<1.0%(Sr)	
IP67	
-25°C - +70 °C	
<10%(Sr)	
YES	
220mA	
<10ms	
RFI>3V/m / EFT>1KV / ESD>4KV (contact)	
IEC 60947-5-2,Part 7.4.1 / IEC 60947-5-2,Part 7.4.2	
PBT	

LCN1-0803N-ACU3/SN	25	LCN2-0806N-ACU3/SN
LCN1-0803N-BCU3/SN	25	LCN2-0806N-BCU3/SN
LCN1-0803P-ACU3/SN	26	LCN2-0806P-ACU3/SN
LCN1-0803P-BCU3/SN	26	LCN2-0806P-BCU3/SN

ϕ 8 Snap in connector
Approx.25 g

HIGH TORQUE, LONG SENSING DISTANCE PROXIMITY SWITCH

M12	
●	○
6.0 mm	10.0 mm
Nickel plated brass	
●	

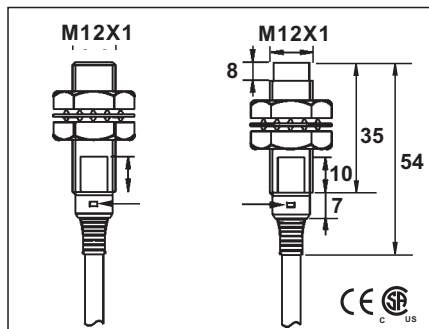


10-30VDC	
<10%	
<10mA	
200mA	
<0.01mA	
-	
-	
< 2 V	
500HZ	300HZ
0.5ms/0.5ms	0.5ms/0.5ms
<15%(Sr)	
<1.0%(Sr)	
IP67	
-25°C - +70°C	
<10%(Sr)	
YES	
220mA	
<10ms	
RFI>3V/m / EFT>1KV / ESD>4KV (contact)	
IEC 60947-5-2,Part 7.4.1 / IEC 60947-5-2,Part 7.4.2	
PBT	

LCN1-1206N-A3S2	1	LCN2-1206N-A3S2
LCN1-1206N-B3S2	2	LCN2-1206N-B3S2
LCN1-1206P-A3S2	3	LCN2-1206P-A3S2
LCN1-1206P-B3S2	4	LCN2-1206P-B3S2

4.0 ϕ3x0.34
Approx.60 g

M12	
●	○
6.0 mm	10.0 mm
Nickel plated brass	
●	

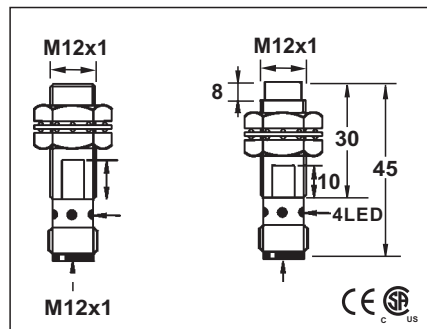


10-30VDC	
<10%	
<10mA	
200mA	
<0.01mA	
-	
-	
< 2 V	
500HZ	300HZ
0.5ms/0.5ms	0.5ms/0.5ms
<15%(Sr)	
<1.0%(Sr)	
IP67	
-25°C - +70°C	
<10%(Sr)	
YES	
220mA	
<10ms	
RFI>3V/m / EFT>1KV / ESD>4KV (contact)	
IEC 60947-5-2,Part 7.4.1 / IEC 60947-5-2,Part 7.4.2	
PBT	

LCN1-1206N-A3U2	1	LCN2-1210N-A3U2
LCN1-1206N-B3U2	2	LCN2-1210N-B3U2
LCN1-1206P-A3U2	3	LCN2-1210P-A3U2
LCN1-1206P-B3U2	4	LCN2-1210P-B3U2
LCN1-1206P-S4U2	6	LCN2-1210P-S4U2
LCN1-1206N-S4U2	5	LCN2-1210N-S4U2

4.0 ϕ3x0.34
Approx.67 g

M12	
●	○
6.0 mm	10.0 mm
Nickel plated brass	
●	



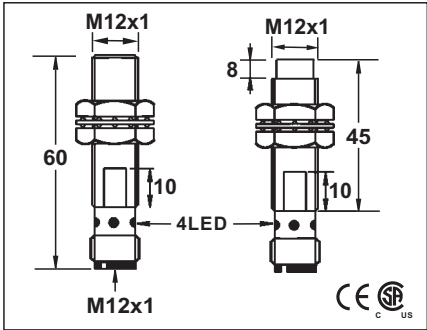
10-30VDC	
<10%	
<10mA	
200mA	
<0.01mA	
-	
-	
< 2 V	
500HZ	300HZ
0.5ms/0.5ms	0.5ms/0.5ms
<15%(Sr)	
<1.0%(Sr)	
IP67	
-25°C - +70°C	
<10%(Sr)	
YES	
220mA	
<10ms	
RFI>3V/m / EFT>1KV / ESD>4KV (contact)	
IEC 60947-5-2,Part 7.4.1 / IEC 60947-5-2,Part 7.4.2	
PBT	

LCN1-1206N-ARS4/45	29	LCN2-1210N-ARS4/45
LCN1-1206N-BRS4/45	30	LCN2-1210N-BRS4/45
LCN1-1206P-ARS4/45	31	LCN2-1210P-ARS4/45
LCN1-1206P-BRS4/45	32	LCN2-1210P-BRS4/45

Approx.20 g

HIGH TORQUE, LONG SENSING DISTANCE PROXIMITY SWITCH

M12	
●	○
6.0 mm	10.0 mm
Nickel plated brass	
●	



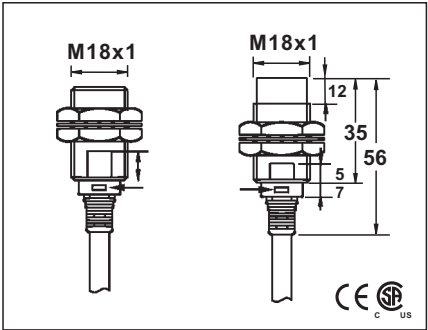
10-30VDC	
<10%	
<10mA	
200mA	
<0.01mA	
-	
-	
< 2.0 V	

300HZ 0.5ms/0.5ms	100HZ 1ms/1ms
<15%(Sr)	
<1.0%(Sr)	
IP67	
-25°C - +70 °C	
<10%(Sr)	
YES	
220mA	
<10ms	
RFI>3V/m / EFT>1KV / ESD>4KV (contact)	
IEC 60947-5-2,Part 7.4.1 / IEC 60947-5-2,Part 7.4.2	
PBT	

LCN1-1206N-ARS4/60	29	LCN2-1210N-ARS4/60
LCN1-1206N-BRS4/60	30	LCN2-1210N-BRS4/60
LCN1-1206P-ARS4/60	31	LCN2-1210P-ARS4/60
LCN1-1206P-BRS4/60	32	LCN2-1210P-BRS4/60
LCN1-1206P-SRS4/60	33	LCN2-1210P-SRS4/60
LCN1-1206N-SRS4/60	34	LCN2-1210N-SRS4/60

Approx.23 g

M18	
●	○
12.0 mm	20.0 mm
Nickel plated brass	
●	



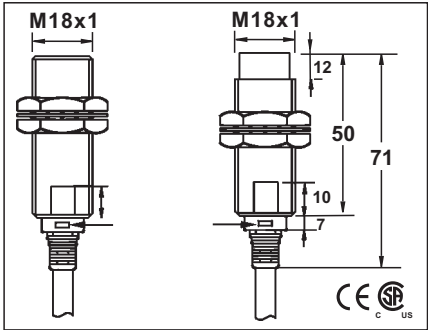
10-30VDC	
<10%	
<10mA	
200mA	
<0.01mA	
-	
-	
< 2.0 V	

300HZ 0.5ms/0.5ms	100HZ 1ms/1ms
<15%(Sr)	
<1.0%(Sr)	
IP67	
-25°C - +70 °C	
<10%(Sr)	
YES	
220mA	
<10ms	
RFI>3V/m / EFT>1KV / ESD>4KV (contact)	
IEC 60947-5-2,Part 7.4.1 / IEC 60947-5-2,Part 7.4.2	
PBT	

LCN1-1812N-A3S2/35	1	LCN2-1820N-A3S2/35
LCN1-1812N-B3S2/35	2	LCN2-1820N-B3S2/35
LCN1-1812P-A3S2/35	3	LCN2-1820P-A3S2/35
LCN1-1812P-B3S2/35	4	LCN2-1820P-B3S2/35
LCN1-1812P-S4S2/35	6	LCN2-1820P-S4S2/35
LCN1-1812N-S4S2/35	5	LCN2-1820N-S4S2/35

5.8 φ3x0.5
Approx.120 g

M18	
●	○
12.0 mm	20.0 mm
Nickel plated brass	
●	



10-30VDC	
<10%	
<10mA	
200mA	
<0.01mA	
-	
-	
< 2.0 V	

300HZ 0.5ms/0.5ms	100HZ 1ms/1ms
<15%(Sr)	
<1.0%(Sr)	
IP67	
-25°C - +70 °C	
<10%(Sr)	
YES	
220mA	
<10ms	
RFI>3V/m / EFT>1KV / ESD>4KV (contact)	
IEC 60947-5-2,Part 7.4.1 / IEC 60947-5-2,Part 7.4.2	
PBT	

LCN1-1812N-A3U2	1	LCN2-1820N-A3U2
LCN1-1812N-B3U2	2	LCN2-1820N-B3U2
LCN1-1812P-A3U2	3	LCN2-1820P-A3U2
LCN1-1812P-B3U2	4	LCN2-1820P-B3U2
LCN1-1812P-S4U2	6	LCN2-1820P-S4U2
LCN1-1812N-S4U2	5	LCN2-1820N-S4U2

5.8 φ3x0.5
Approx.140 g

HIGH TORQUE, LONG SENSING DISTANCE PROXIMITY SWITCH

M30		M30		M30			
●	○	●	○	●	○		
22 mm	40 mm	22 mm	40 mm	22 mm	40 mm		
Nickel plated brass		Nickel plated brass		Nickel plated brass			
●		●		●			
10-30VDC		10-30VDC		10-30VDC			
<10%		<10%		<10%			
<10mA		<10mA		<10mA			
200mA		200mA		200mA			
<0.01mA		<0.01mA		<0.01mA			
-		-		-			
-		-		-			
< 2 V		< 2 V		< 2 V			
300HZ	100HZ	300HZ	100HZ	300HZ	100HZ		
0.5ms/0.5ms	1ms/1ms	0.5ms/0.5ms	1ms/1ms	0.5ms/0.5ms	1ms/1ms		
<15%(Sr)		<15%(Sr)		<15%(Sr)			
<1.0%(Sr)		<1.0%(Sr)		<1.0%(Sr)			
IP67		IP67		IP67			
-25°C - +70°C		-25°C - +70°C		-25°C - +70°C			
<10%(Sr)		<10%(Sr)		<10%(Sr)			
YES		YES		YES			
220mA		220mA		220mA			
<10ms		<10ms		<10ms			
RFI>3V/m / EFT>1KV / ESD>4KV (contact)		RFI>3V/m / EFT>1KV / ESD>4KV (contact)		RFI>3V/m / EFT>1KV / ESD>4KV (contact)			
IEC 60947-5-2,Part 7.4.1 / IEC 60947-5-2,Part 7.4.2		IEC 60947-5-2,Part 7.4.1 / IEC 60947-5-2,Part 7.4.2		IEC 60947-5-2,Part 7.4.1 / IEC 60947-5-2,Part 7.4.2			
PBT		PBT		PBT			
LCN1-3022N-A3S2/60	1	LCN2-3040N-A3S2/60		LCN1-3022N-ARS4/73	29	LCN2-3040N-ARS4/73	
LCN1-3022N-B3S2/60	2	LCN2-3040N-B3S2/60		LCN1-3022N-BRS4/73	30	LCN2-3040N-BRS4/73	
LCN1-3022P-A3S2/60	3	LCN2-3040P-A3S2/60		LCN1-3022P-ARS4/73	31	LCN2-3040P-ARS4/73	
LCN1-3022P-B3S2/60	4	LCN2-3040P-B3S2/60		LCN1-3022P-BRS4/73	32	LCN2-3040P-BRS4/73	
LCN1-3022P-S4S2/60	6	LCN2-3040P-S4S2/60		LCN1-3022P-SRS4/73	34	LCN2-3040P-SRS4/73	
LCN1-3022N-S4S2/60	5	LCN2-3040N-S4S2/60		LCN1-3022N-SRS4/73	33	LCN2-3040N-SRS4/73	
5.8 φ 3x0.5							
Approx.210 g							
		Approx.89 g					
				Approx.163 g			