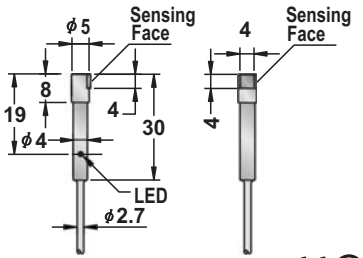
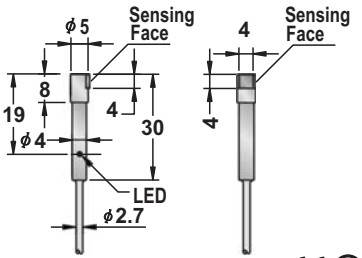
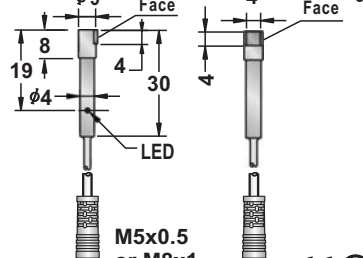


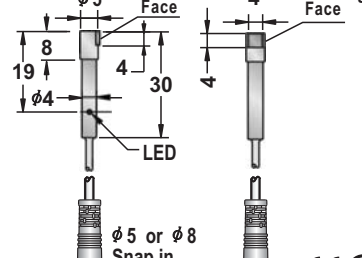
PART B-01 ~ B-13

Diameter
● Shielded ○ non-Shielded
Switching Distance Sn mm
Housing Material
● With LED ○ Without LED
Dimensions (unit: mm)

Operating Voltage
Ripple
No Load Current
Max. Load Current
Leakage Current
Surge Current
Min. Load Current
Voltage Drop
Switching Frequency
Response Time
Switching Hysteresis
Repeat Accuracy
Protection Category
Operating Temperature
Temperature Drift
Short Circuit Protection
Overload Trip Point
Time Delay Before Availability
EMC
Shock / Vibration
Material Active Face
DC 3 wire 10-30V NPN N.O.
DC 3 wire 10-30V NPN N.C.
DC 3 wire 10-30V PNP N.O.
DC 3 wire 10-30V PNP N.C.
DC 4 wire 10-30V Changeover PNP (N.O. & N.C.)
DC 4 wire 10-30V Changeover NPN (N.O. & N.C.)
DC 2 wire 10-60V N.O.
DC 2 wire 10-60V N.C.
DC 3 wire 10-55v NPN N.O. or NAMUR
DC 3 wire 10-55v NPN N.C.
DC 3 wire 10-55v PNP N.O.
DC 3 wire 10-55v PNP N.C.
DC 3 wire 5-36V NPN N.O.
DC 3 wire 5-36V NPN N.C.
DC 3 wire 5-36V PNP N.O.
DC 3 wire 5-36V PNP N.C.
DC 4 wire 5-36V Changeover PNP (N.O & N.C.)
DC 4 wire 5-36V Changeover NPN (N.O & N.C.)
Remark
Cable 2M (PVC)
Weight

SIDE SENSING DC INDUCTIVE PROXIMITY SWITCH

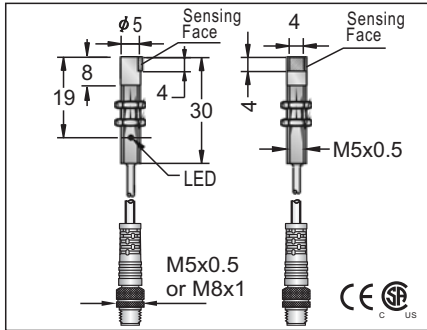
φ4
●
0.8 mm
stainless steel
●

10-30VDC or 5-36V
<10%
<10mA
200mA
<0.01mA
-
-
<1.5V
2KHZ
0.1ms/0.1ms
<15%(Sr)
<1.0%(Sr)
IP67
-25°C - +70°C
<10%(Sr)
YES
220mA
<10ms
RFI>3V/m / EFT>1KV / ESD>4KV (contact)
IEC 60947-5-2,Part 7.4.1 / IEC 60947-5-2,Part 7.4.2
POM
FCU1-D040.8N-A3U2T 1
FCU1-D040.8N-B3U2T 2
FCU1-D040.8P-A3U2T 3
FCU1-D040.8P-B3U2T 4
ICU1-D040.8N-A3U2T 1
ICU1-D040.8N-B3U2T 2
ICU1-D040.8P-A3U2T 3
ICU1-D040.8P-B3U2T 4
Remark
NAMUR type specifications see page 23.
2.7 φ3x0.15
approx.25 g

φ4
●
0.8 mm
stainless steel
●

10-30VDC or 5-36V
<10%
<10mA
200mA
<0.01mA
-
-
<1.5V
2KHZ
0.1ms/0.1ms
<15%(Sr)
<1.0%(Sr)
IP67
-25°C - +70°C
<10%(Sr)
YES
220mA
<10ms
RFI>3V/m / EFT>1KV / ESD>4KV (contact)
IEC 60947-5-2,Part 7.4.1 / IEC 60947-5-2,Part 7.4.2
POM
FCU1-D040.8N-A3U0.2T/P5 25 FCU1-D040.8N-A3U0.2T/P8 29
FCU1-D040.8N-B3U0.2T/P5 26 FCU1-D040.8N-B3U0.2T/P8 30
FCU1-D040.8P-A3U0.2T/P5 27 FCU1-D040.8P-A3U0.2T/P8 31
FCU1-D040.8P-B3U0.2T/P5 28 FCU1-D040.8P-B3U0.2T/P8 32
ICU1-D040.8N-A3U0.2T/P5 25 ICU1-D040.8N-A3U0.2T/P8 29
ICU1-D040.8N-B3U0.2T/P5 26 ICU1-D040.8N-B3U0.2T/P8 30
ICU1-D040.8P-A3U0.2T/P5 27 ICU1-D040.8P-A3U0.2T/P8 31
ICU1-D040.8P-B3U0.2T/P5 28 ICU1-D040.8P-B3U0.2T/P8 32
Remark
FCU***/P5 └─ M5 Pigtail mode FCU***/P8 └─ M8 Pigtail mode
2.7 φ3x0.15
approx.25 g Approx.26 g

φ4
●
0.8 mm
stainless steel
●

10-30VDC or 5-36V
<10%
<10mA
200mA
<0.01mA
-
-
<1.5V
2KHZ
0.1ms/0.1ms
<15%(Sr)
<1.0%(Sr)
IP67
-25°C - +70°C
<10%(Sr)
YES
220mA
<10ms
RFI>3V/m / EFT>1KV / ESD>4KV (contact)
IEC 60947-5-2,Part 7.4.1 / IEC 60947-5-2,Part 7.4.2
POM
FCU1-D040.8N-A3U0.2T/SN5 25 FCU1-D040.8N-A3U0.2T/SN8 29
FCU1-D040.8N-B3U0.2T/SN5 26 FCU1-D040.8N-B3U0.2T/SN8 30
FCU1-D040.8P-A3U0.2T/SN5 27 FCU1-D040.8P-A3U0.2T/SN8 31
FCU1-D040.8P-B3U0.2T/SN5 28 FCU1-D040.8P-B3U0.2T/SN8 32
ICU1-D040.8N-A3U0.2T/SN5 25 ICU1-D040.8N-A3U0.2T/SN8 29
ICU1-D040.8N-B3U0.2T/SN5 26 ICU1-D040.8N-B3U0.2T/SN8 30
ICU1-D040.8P-A3U0.2T/SN5 27 ICU1-D040.8P-A3U0.2T/SN8 31
ICU1-D040.8P-B3U0.2T/SN5 28 ICU1-D040.8P-B3U0.2T/SN8 32
Remark
FCU***/SN5 └─ φ5 Pigtail mode FCU***/SN8 └─ φ8 Pigtail mode
2.7 φ3x0.15
approx.25 g Approx.26 g

SIDE SENSING DC INDUCTIVE PROXIMITY SWITCH

M5
●
0.8 mm
stainless steel
●



10-30VDC or 5-36VDC
<10%
<10mA
200mA
<0.01mA
-
-
<1.5V
2KHZ
0.1ms/0.1ms

<1.0%(Sr)
IP67
-25°C - +70°C
<10%(Sr)
YES
220mA
<10ms

RFI>3V/m / EFT>1KV / ESD>4KV (contact)
IEC 60947-5-2,Part 7.4.1 / IEC 60947-5-2,Part 7.4.2
POM

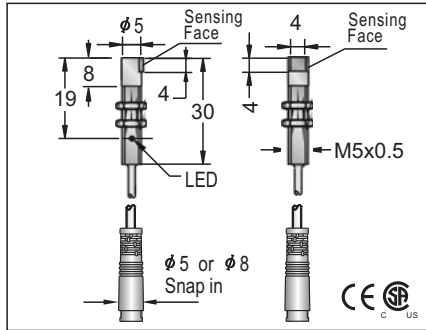
FCU1-050.8N-A3U0.2T/P5	25	FCU1-050.8N-A3U0.2T/P8	29
FCU1-050.8N-B3U0.2T/P5	26	FCU1-050.8N-B3U0.2T/P8	30
FCU1-050.8P-A3U0.2T/P5	27	FCU1-050.8P-A3U0.2T/P8	31
FCU1-050.8P-B3U0.2T/P5	28	FCU1-050.8P-B3U0.2T/P8	32

ICU1-050.8N-A3U0.2T/P5	25	ICU1-050.8N-A3U0.2T/P8	29
ICU1-050.8N-B3U0.2T/P5	26	ICU1-050.8N-B3U0.2T/P8	30
ICU1-050.8P-A3U0.2T/P5	27	ICU1-050.8P-A3U0.2T/P8	31
ICU1-050.8P-B3U0.2T/P5	28	ICU1-050.8P-B3U0.2T/P8	32

FCU***/P5	└─ M5 Pigtail mode
FCU***/P8	└─ M8 Pigtail mode

2.7φ3x0.15	
Approx.25 g	Approx.26 g

M5
●
0.8 mm
stainless steel
●



10-30VDC or 5-36VDC
<10%
<10mA
200mA
<0.01mA
-
-
<1.5V
2KHZ
0.1ms/0.1ms

<1.0%(Sr)
IP67
-25°C - +70°C
<10%(Sr)
YES
220mA
<10ms

RFI>3V/m / EFT>1KV / ESD>4KV (contact)
IEC 60947-5-2,Part 7.4.1 / IEC 60947-5-2,Part 7.4.2
POM

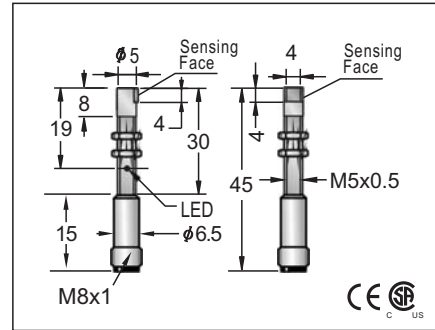
FCU1-050.8N-A3U0.2T/SN5	25	FCU1-050.8N-A3U0.2T/SN8	29
FCU1-050.8N-B3U0.2T/SN5	26	FCU1-050.8N-B3U0.2T/SN8	30
FCU1-050.8P-A3U0.2T/SN5	27	FCU1-050.8P-A3U0.2T/SN8	31
FCU1-050.8P-B3U0.2T/SN5	28	FCU1-050.8P-B3U0.2T/SN8	32

ICU1-050.8N-A3U0.2T/SN5	25	ICU1-050.8N-A3U0.2T/SN8	29
ICU1-050.8N-B3U0.2T/SN5	26	ICU1-050.8N-B3U0.2T/SN8	30
ICU1-050.8P-A3U0.2T/SN5	27	ICU1-050.8P-A3U0.2T/SN8	31
ICU1-050.8P-B3U0.2T/SN5	28	ICU1-050.8P-B3U0.2T/SN8	32

FCU***/SN5	└─ φ5 Pigtail mode
FCU***/SN8	└─ φ8 Pigtail mode

2.7φ3x0.15	
Approx.25 g	Approx.26 g

M5
●
0.8 mm
stainless steel
●



10-30VDC or 5-36VDC
<10%
<10mA
200mA
<0.01mA
-
-
<1.5V
2KHZ
0.1ms/0.1ms

<1.0%(Sr)
IP67
-25°C - +70°C
<10%(Sr)
YES
220mA
<10ms

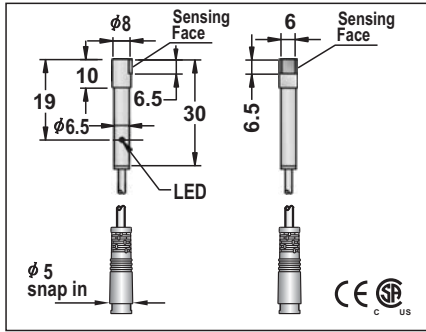
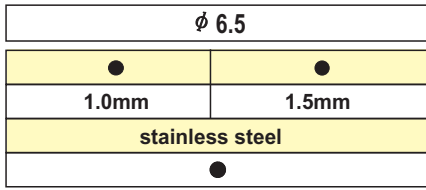
RFI>3V/m / EFT>1KV / ESD>4KV (contact)
IEC 60947-5-2,Part 7.4.1 / IEC 60947-5-2,Part 7.4.2
POM

FCU1-050.8N-ACU3T	29
FCU1-050.8N-BCU3T	29
FCU1-050.8P-ACU3T	30
FCU1-050.8P-BCU3T	30

FCU***/SN5	└─ φ5 Pigtail mode
FCU***/SN8	└─ φ8 Pigtail mode

2.7φ3x0.15
Approx.25 g

SIDE SENSING DC INDUCTIVE PROXIMITY SWITCH

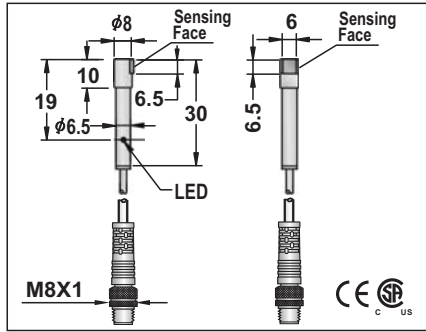
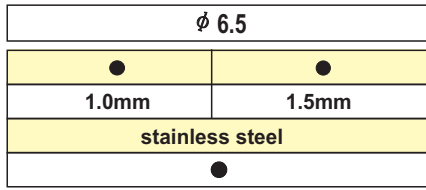


10-30VDC or 5-36VDC
<10%
<10mA
200mA
<0.01mA
-
-
<1.5V(10-30V) or <1.0V(5-36V)
2KHZ
0.1ms/0.1ms
<15%(Sr)
<1.0%(Sr)
IP67
-25°C - +70°C
<10%(Sr)
YES
220mA
<10ms
RFI>3V/m / EFT>1KV / ESD>4KV (contact)
IEC 60947-5-2, Part 7.4.1 / IEC 60947-5-2, Part 7.4.2
POM

FCU1-D0601N-A3U0.2T/SN5	25	
FCU1-D0601N-B3U0.2T/SN5	26	
FCU1-D0601P-A3U0.2T/SN5	27	
FCU1-D0601P-B3U0.2T/SN5	28	
	25	ICU1-D061.5N-A3U0.2T/SN5
	26	ICU1-D061.5N-B3U0.2T/SN5
	27	ICU1-D061.5P-A3U0.2T/SN5
	28	ICU1-D061.5P-B3U0.2T/SN5

5-36V: ICU*-***** type switching distance Sn=1.5mm.

3 ϕ 3x0.15	
Approx.38 g	Approx.39 g

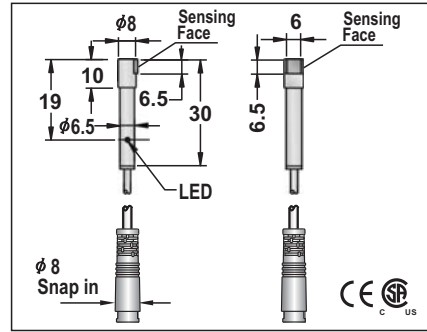
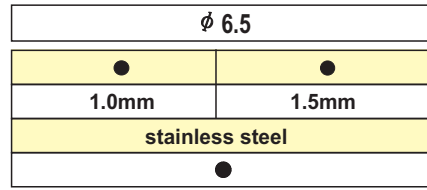


10-30VDC or 5-36VDC
<10%
<10mA
200mA
<0.01mA
-
-
<1.5V(10-30V) or <1.0V(5-36V)
2KHZ
0.1ms/0.1ms
<15%(Sr)
<1.0%(Sr)
IP67
-25°C - +70°C
<10%(Sr)
YES
220mA
<10ms
RFI>3V/m / EFT>1KV / ESD>4KV (contact)
IEC 60947-5-2, Part 7.4.1 / IEC 60947-5-2, Part 7.4.2
POM

FCU1-D0601N-A3U0.2T/P8	29	
FCU1-D0601N-B3U0.2T/P8	30	
FCU1-D0601P-A3U0.2T/P8	31	
FCU1-D0601P-B3U0.2T/P8	32	
	29	ICU1-D061.5N-A3U0.2T/P8
	30	ICU1-D061.5N-B3U0.2T/P8
	31	ICU1-D061.5P-A3U0.2T/P8
	32	ICU1-D061.5P-B3U0.2T/P8

5-36V: ICU*-***** type switching distance Sn=1.5mm.

3 ϕ 3x0.15	
Approx.38 g	Approx.39 g



10-30VDC or 5-36VDC
<10%
<10mA
200mA
<0.01mA
-
-
<1.5V(10-30V) or <1.0V(5-36V)
2KHZ
0.1ms/0.1ms
<15%(Sr)
<1.0%(Sr)
IP67
-25°C - +70°C
<10%(Sr)
YES
220mA
<10ms
RFI>3V/m / EFT>1KV / ESD>4KV (contact)
IEC 60947-5-2, Part 7.4.1 / IEC 60947-5-2, Part 7.4.2
POM

FCU1-D0601N-A3U0.2T/SN8	29	
FCU1-D0601N-B3U0.2T/SN8	30	
FCU1-D0601P-A3U0.2T/SN8	31	
FCU1-D0601P-B3U0.2T/SN8	32	
	29	ICU1-D061.5N-A3U0.2T/SN8
	30	ICU1-D061.5N-B3U0.2T/SN8
	31	ICU1-D061.5P-A3U0.2T/SN8
	32	ICU1-D061.5P-B3U0.2T/SN8

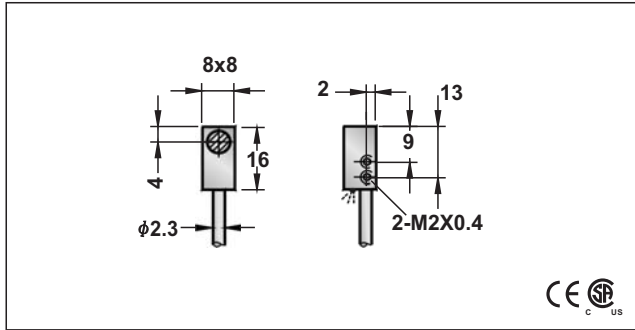
5-36V: ICU*-***** type switching distance Sn=1.5mm.

3 ϕ 3x0.15	
Approx.38 g	Approx.39 g

DC INDUCTIVE PROXIMITY SWITCH SQUARE TYPE

DC INDUCTIVE PROXIMITY SWITCH
SQUARE TYPE

Q 8		
●		
1.0 mm	2.0 mm	3.0 mm
Nickel plated brass		
●		



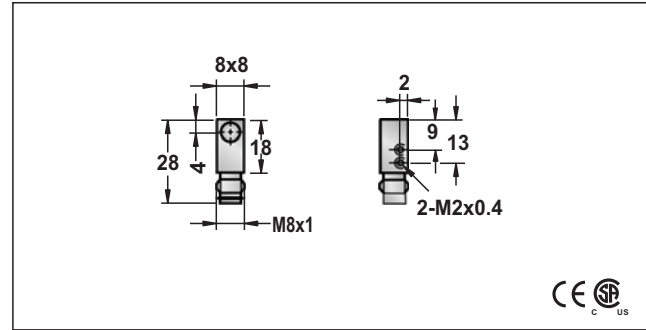
10-30VDC
<10%
<10mA
200mA
<0.01mA
-
<1.5V
2KHZ
0.1ms/0.1ms
<15%(Sr)
<1.0%(Sr)
IP67
-25°C - +70°C
<10%(Sr)
YES
220mA
<10ms
RFI>3V/m / EFT>1KV / ESD>4KV (contact)
IEC 60947-5-2,Part 7.4.1 / IEC 60947-5-2,Part 7.4.2
POM

FQM1-8801N-A3R2T	1	EQM1-8802N-A3R2T	1	LQM1-8803N-A3R2T
FQM1-8801N-B3R2T	2	EQM1-8802N-B3R2T	2	LQM1-8803N-B3R2T
FQM1-8801P-A3R2T	3	EQM1-8802P-A3R2T	3	LQM1-8803P-A3R2T
FQM1-8801P-B3R2T	4	EQM1-8802P-B3R2T	4	LQM1-8803P-B3R2T

Note:
All cable type have pigtail connect mode,
*QM***/p → pigtail mode

2.3φ3x0.15
Approx.20 g

Q 8		
●		
1.0 mm	2.0 mm	3.0 mm
Nickel plated brass		
●		



10-30VDC
<10%
<10mA
200mA
<0.01mA
-
<1.5V
2KHZ
0.1ms/0.1ms
<15%(Sr)
<1.0%(Sr)
IP67
-25°C - +70°C
<10%(Sr)
YES
220mA
<10ms
RFI>3V/m / EFT>1KV / ESD>4KV (contact)
IEC 60947-5-2,Part 7.4.1 / IEC 60947-5-2,Part 7.4.2
POM

FQM1-8801N-ACR3T	29	EQM1-8802N-ACR3T	29	LQM1-8803N-ACR3T
FQM1-8801N-BCR3T	30	EQM1-8802N-BCR3T	30	LQM1-8803N-BCR3T
FQM1-8801P-ACR3T	31	EQM1-8802P-ACR3T	31	LQM1-8803P-ACR3T
FQM1-8801P-BCR3T	32	EQM1-8802P-BCR3T	32	LQM1-8803P-BCR3T

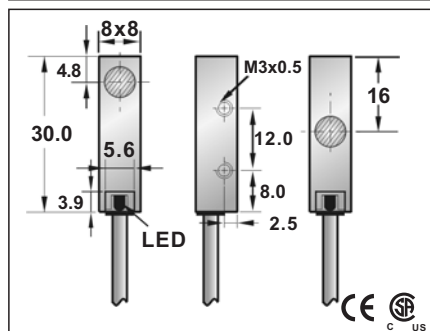
Connecting cable:
M8 female pico-style screw locking with moulded cable.

Approx.25 g

DC INDUCTIVE PROXIMITY SWITCH SQUARE TYPE

DC INDUCTIVE PROXIMITY SWITCH SQUARE TYPE

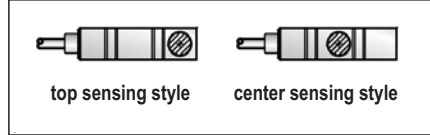
Q8
●
1.5 mm
die-cast
●



10-30VDC or 5-36VDC
<10%
<10mA
200mA
<0.01mA
-
-
<1.5V
2KHZ
0.1ms/0.1ms
<15%(Sr)
<1.0%(Sr)
IP67
-25°C - +70°C
<10%(Sr)
YES
220mA
<10ms
RFI>3V/m / EFT>1KV / ESD>4KV (contact)
IEC 60947-5-2,Part 7.4.1 / IEC 60947-5-2,Part 7.4.2
PBT

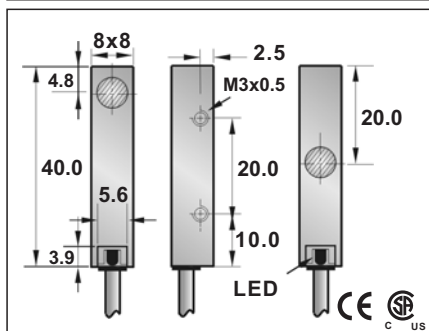
FQM1-881.5N-A3S2T	1	FQM1-881.5N-A3S2M
FQM1-881.5N-B3S2T	2	FQM1-881.5N-B3S2M
FQM1-881.5P-A3S2T	3	FQM1-881.5P-A3S2M
FQM1-881.5P-B3S2T	4	FQM1-881.5P-B3S2M

IQM1-881.5N-A3S2T	1	IQM1-881.5N-A3S2M
IQM1-881.5N-B3S2T	2	IQM1-881.5N-B3S2M
IQM1-881.5P-A3S2T	3	IQM1-881.5P-A3S2M
IQM1-881.5P-B3S2T	4	IQM1-881.5P-B3S2M



3.0 φ3X0.15
Approx.38 g

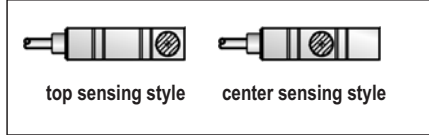
Q8
●
1.5 mm
die-cast
●



10-30VDC or 5-36VDC
<10%
<10mA
200mA
<0.01mA
-
-
<1.5V
2KHZ
0.1ms/0.1ms
<15%(Sr)
<1.0%(Sr)
IP67
-25°C - +70°C
<10%(Sr)
YES
220mA
<10ms
RFI>3V/m / EFT>1KV / ESD>4KV (contact)
IEC 60947-5-2,Part 7.4.1 / IEC 60947-5-2,Part 7.4.2
PBT

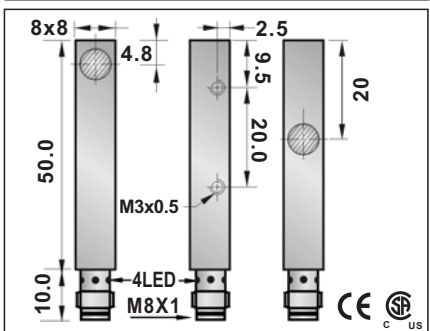
FQM1-881.5N-A3U2T	1	FQM1-881.5N-A3U2M
FQM1-881.5N-B3U2T	2	FQM1-881.5N-B3U2M
FQM1-881.5P-A3U2T	3	FQM1-881.5P-A3U2M
FQM1-881.5P-B3U2T	4	FQM1-881.5P-B3U2M

IQM1-881.5N-A3U2T	1	IQM1-881.5N-A3U2M
IQM1-881.5N-B3U2T	2	IQM1-881.5N-B3U2M
IQM1-881.5P-A3U2T	3	IQM1-881.5P-A3U2M
IQM1-881.5P-B3U2T	4	IQM1-881.5P-B3U2M



3.0 φ3X0.15
Approx.38 g

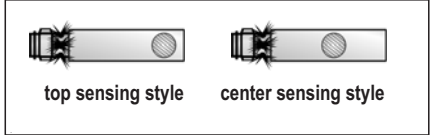
Q8
●
1.5 mm
die-cast
●



10-30VDC or 5-36VDC
<10%
<10mA
200mA
<0.01mA
-
-
<1.5V
2KHZ
0.1ms/0.1ms
<15%(Sr)
<1.0%(Sr)
IP67
-25°C - +70°C
<10%(Sr)
YES
220mA
<10ms
RFI>3V/m / EFT>1KV / ESD>4KV (contact)
IEC 60947-5-2,Part 7.4.1 / IEC 60947-5-2,Part 7.4.2
PBT

FQM1-881.5N-ACU3T	29	FQM1-881.5N-ACU3M
FQM1-881.5N-BCU3T	29	FQM1-881.5N-BCU3M
FQM1-881.5P-ACU3T	30	FQM1-881.5P-ACU3M
FQM1-881.5P-BCU3T	30	FQM1-881.5P-BCU3M

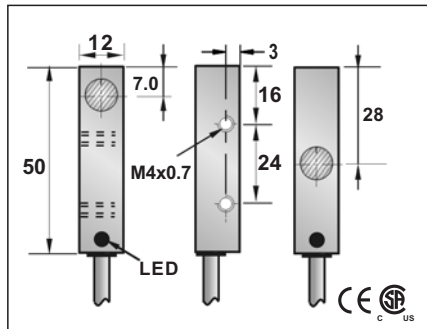
IQM1-881.5N-ACU3T	29	IQM1-881.5N-ACU3M
IQM1-881.5N-BCU3T	29	IQM1-881.5N-BCU3M
IQM1-881.5P-ACU3T	30	IQM1-881.5P-ACU3M
IQM1-881.5P-BCU3T	30	IQM1-881.5P-BCU3M



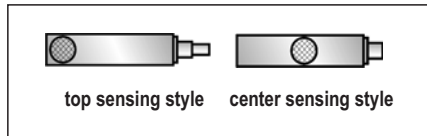
3.0 φ3X0.15
Approx.38 g

DC INDUCTIVE PROXIMITY SWITCH SQUARE TYPE

Q 12
●
2 mm
die-cast
●

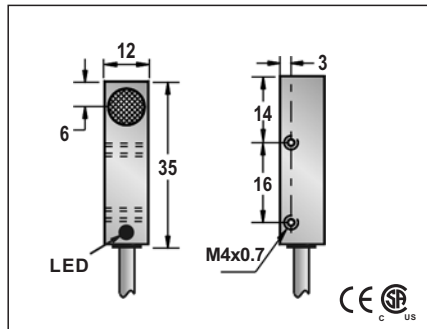


10-30VDC or 5-36VDC or 10-55VDC	
<10%	
<10mA	<20mA
200mA	
<0.01mA	
-	
-	
<1.5V or <1.0V or <2.0V	
2KHZ	
0.1ms/0.1ms	
<15%(Sr)	
<1.0%(Sr)	
IP67	
-25 °C - +70 °C	
<10%(Sr)	
YES	
220mA	
<10ms	
RFI>3V/m / EFT>1KV / ESD>4KV (contact)	
IEC 60947-5-2, Part 7.4.1 / IEC 60947-5-2, Part 7.4.2	
POM	



4 φ 3x0.15
Approx.75 g

Q 12
●
2 mm
die-cast
●

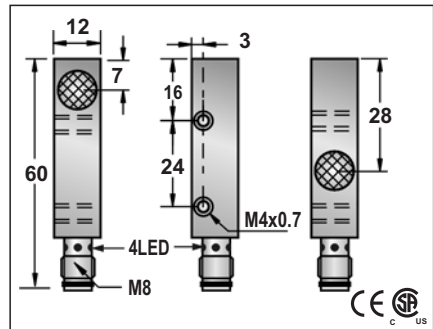


10-30VDC or 5-36VDC	
<10%	
<10mA	<20mA
200mA	
<0.01mA	
-	
-	
<1.5V(10-30V) or <1.0V(5-36V)	
2KHZ	
0.1ms/0.1ms	
<15%(Sr)	
<1.0%(Sr)	
IP67	
-25 °C - +70 °C	
<10%(Sr)	
YES	
220mA	
<10ms	
RFI>3V/m / EFT>1KV / ESD>4KV (contact)	
IEC 60947-5-2, Part 7.4.1 / IEC 60947-5-2, Part 7.4.2	
POM	

Please see Page 18 for details and specifications of DC 2-Wire models on this page.

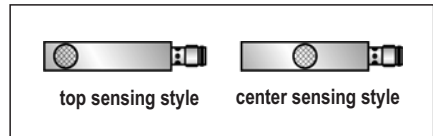
4 φ 3x0.15
Approx.70 g

Q 12
●
2 mm
die-cast
●



10-30VDC or 5-36VDC or 10-55VDC	
<10%	
<10mA	<20mA
200mA	
<0.01mA	
-	
-	
<1.5V or <1.0V or <2.0V	
2KHZ	
0.1ms/0.1ms	
<15%(Sr)	
<1.0%(Sr)	
IP67	
-25 °C - +70 °C	
<10%(Sr)	
YES	
220mA	
<10ms	
RFI>3V/m / EFT>1KV / ESD>4KV (contact)	
IEC 60947-5-2, Part 7.4.1 / IEC 60947-5-2, Part 7.4.2	
POM	

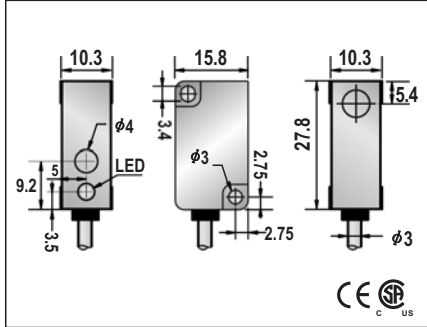
FQM1-1202N-ACU3T	29	FQM1-1202N-ACU3M
FQM1-1202N-BCU3T	29	FQM1-1202N-BCU3M
FQM1-1202P-ACU3T	30	FQM1-1202P-ACU3M
FQM1-1202P-BCU3T	30	FQM1-1202P-BCU3M



Approx.38 g

DC INDUCTIVE PROXIMITY SWITCH SQUARE TYPE

Q16x28x10	
●	○
1 mm	2 mm
die-cast	
●	



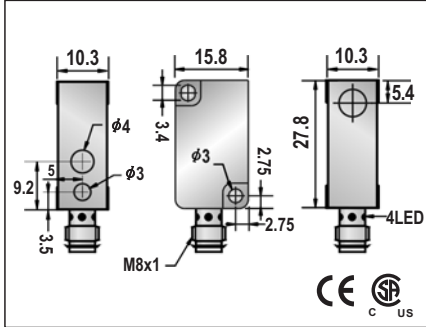
10-30VDC or 5-36VDC	
<10%	
<10mA	
200mA	
<0.01mA	
-	
-	
<1.5V	
2KHZ	
0.1ms/0.1ms	
<15%(Sr)	
<1.0%(Sr)	
IP67	
-25°C - +70°C	
<10%(Sr)	
YES	
220mA	
<10ms	
RFI>3V/m / EFT>1KV / ESD>4KV (contact)	
IEC 60947-5-2,Part 7.4.1 / IEC 60947-5-2,Part 7.4.2	
POM	

FQM1-2801N-A3U2	1	FQM2-2802N-A3U2
FQM1-2801N-B3U2	2	FQM2-2802N-B3U2
FQM1-2801P-A3U2	3	FQM2-2802P-A3U2
FQM1-2801P-B3U2	4	FQM2-2802P-B3U2

Please see Page 18 for details and specifications of DC 2-Wire models on this page.

3.0 φ3X0.15
Approx.60 g

Q16x28x10	
●	○
1 mm	2 mm
die-cast	
●	



10-30VDC or 5-36VDC	
<10%	
<10mA	
200mA	
<0.01mA	
-	
-	
<1.5V	
2KHZ	
0.1ms/0.1ms	
<15%(Sr)	
<1.0%(Sr)	
IP67	
-25°C - +70°C	
<10%(Sr)	
YES	
220mA	
<10ms	
RFI>3V/m / EFT>1KV / ESD>4KV (contact)	
IEC 60947-5-2,Part 7.4.1 / IEC 60947-5-2,Part 7.4.2	
POM	

FQM1-2801N-ACU3	29	FQM2-2802N-ACU3
FQM1-2801N-BCU3	29	FQM2-2802N-BCU3
FQM1-2801P-ACU3	30	FQM2-2802P-ACU3
FQM1-2801P-BCU3	30	FQM2-2802P-BCU3

Please see Page 18 for details and specifications of DC 2-Wire models on this page.

Approx.60 g
