

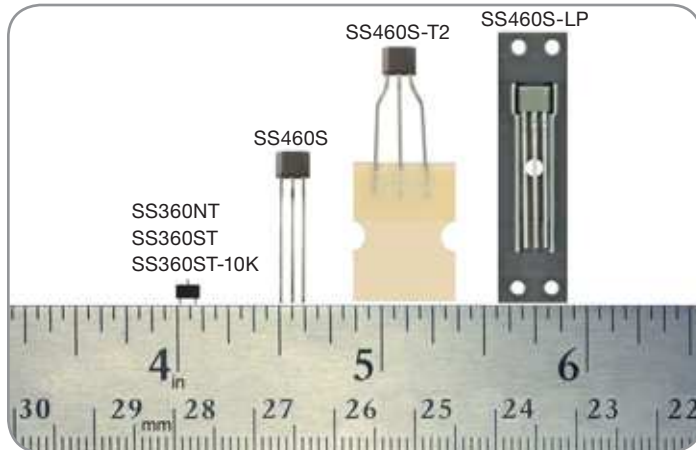
## High Sensitivity Latching Digital Hall-effect Sensor ICs:

32312441

Issue B

## SS360NT, SS360ST, SS360ST-10K, SS460S, SS460S-T2, SS460S-LP

Datasheet



### DESCRIPTION

The SS360NT, SS360ST, SS360ST-10K, SS460S, SS460S-T2, and SS460S-LP High Sensitivity Latching Digital Hall-Effect Sensor ICs are small, sensitive and versatile devices that are operated by the magnetic field from a permanent magnet or an electromagnet. They are designed to respond to alternating North and South poles. The SS360NT is turned on by a North pole while the SS360ST, SS460S, SS460S-T2, and SS460S-LP are turned on by a South pole. These sensor ICs offer reliable switching points with a high magnetic sensitivity of 30 G typical (55 G maximum). They do not use chopper stabilization on the Hall element, providing a clean output signal and a faster latch response time when compared to competitive high sensitivity Hall-effect latching sensor ICs which do use chopper stabilization. These products offer reverse polarity protection, deliver a stable output over a -40 °C to 150 °C [-40 °F to 302 °F] temperature range, and can accept any dc supply voltage from 3 Vdc to 24 Vdc. For brushless dc motor manufacturers who need latching sensors with reliable, consistent performance for more efficient and smaller designs, Honeywell's High Sensitivity Hall-Effect Latching Digital Sensor ICs respond to low magnetic fields and offer consistent repeatability while delivering faster response times to a change in magnetic field for better motor efficiency.

These products are available in four package styles:

- **SS360NT, SS360ST, SS360ST-10K:** SOT-23 surface-mount package, pocket tape and reel
- **SS460S:** Flat TO-92-style 14,5 mm [0.57 in] straight standard leads, bulk package
- **SS460S-T2:** Flat TO-92-style 14,5 mm [0.57 in] formed leads, ammpack tape-in-box
- **SS460S-LP:** Flat TO-92-style with straight, long leads, pocket tape and reel

### FEATURES

- Fastest response time in its class
- No-chopper-stabilization
- High sensitivity
- Latching magnetics
- Wide operating voltage range of 3 Vdc to 24 Vdc
- Built-in reverse voltage
- Durable design
- RoHS-compliant material meets Directive 2002/95

### POTENTIAL APPLICATIONS

#### Industrial/commercial

- Brushless dc motor commutation
- Speed and RPM sensing in electric motors and fans
- Tachometer, counter pickup
- Robotics control
- Flow-rate sensing for appliances

#### Transportation

- Brushless dc motor commutation
- Electronic window lift, anti-pinch power window systems
- Vehicle convertible roof position

#### Medical

- Medical equipment using electric motors

### PORTFOLIO

The SS360NT, SS360ST, SS360ST-10K, SS460S, SS460S-T2, SS460S-LP are part of Honeywell's family of Latching Digital Hall-effect Sensor ICs, including:

- SS360PT, SS460P, SS460P-T2
- SS361RT, SS461R
- SS361CT, SS461C
- SS461A, SS466A

# High Sensitivity Latching Digital Hall-effect Sensor ICs: SS360NT, SS360ST, SS360ST-10K, SS460S, SS460S-T2, SS460S-LP

**Table 1. Electrical and Environmental Specifications**

(At  $V_s = 3.0$  Vdc to 24.0 Vdc, 20 mA load,  $T_A = -40$  °C to 150 °C [-40 °F to 302 °F] except where otherwise specified.)

Characteristic	Condition	Min.	Typ.	Max.	Unit
Supply voltage					
SS360NT, SS360ST, SS360ST-10K	-40 °C to 125 °C [-40 °F to 257 °F]	3.0	—	24.0	Vdc
SS360NT, SS360ST, SS360ST-10K	150 °C [302 °F]	3.0	—	12.0	
SS460S, SS460S-T2, SS460S-LP	—	3.0	—	24.0	
Supply current	$V_{supply} = 3$ Vdc at 25 °C [77 °F]	—	3.5	6.0	mA
	—	—	—	8.0	
Output current	—	—	—	20	mA
$V_{sat}$ :					
SS360NT, SS360ST, SS360ST-10K	Gauss > 55	—	—	0.6	V
SS460S, SS460S-T2, SS460S-LP	15 mA, Gauss > 55	—	—	0.6	
Output leakage current	Gauss < -55	—	—	10.0	µA
Rise/fall time	25 °C [77 °F]	—	—	1.5	µs
Thermal resistance:					
SS360NT, SS360ST, SS360ST-10K	single layer, single sided PCB	—	303	—	°C/W
SS460S, SS460S-T2, SS460S-LP	—	—	233	—	
Magnetic characteristics:					
operate (Bop)	—	5	30	55	Gauss
release (Brp)	—	-55	-30	-5	
differential	—	40	60	80	
Operating temperature	—	-40 [-40]	—	150 [302]	°C [°F]
Storage temperature:					
SS360NT, SS360ST, SS360ST-10K	—	-40 [-40]	—	150 [302]	°C [°F]
SS460S, SS460S-T2, SS460S-LP	—	-40 [-40]	—	165 [329]	
Soldering temperature and time:					
SS360NT, SS360ST, SS360ST-10K	infrared reflow process: peak temperature 245 °C [473 °F] for 10 s max. wave soldering process: 250 °C to 260 °C [482 °F to 500 °F] for 3 s max.				
SS460S, SS460S-T2, SS460S-LP					

## NOTICE

These Hall-effect sensor ICs may have an initial output in either the ON or OFF state if powered up with an applied magnetic field in the differential zone (applied magnetic field >Brp and <Bop). Honeywell recommends allowing 10 µs after supply voltage has reached 3 V (SS460S, SS460S-T2, SS460S-LP) or 5 V (SS360NT, SS360ST, SS360ST-10K) for the output voltage to stabilize.

## NOTICE

The magnetic field strength (Gauss) required to cause the switch to change state (operate and release) will be as specified in the magnetic characteristics. To test the switch against the specified limits, the switch must be placed in a uniform magnetic field.

**CAUTION**  
ELECTROSTATIC  
SENSITIVE  
DEVICES

DO NOT OPEN OR HANDLE  
EXCEPT AT A  
STATIC FREE WORKSTATION

**ESD SENSITIVITY:  
CLASS 2**

**Table 2. Absolute Maximum Specifications**

Characteristic	Min.	Typ.	Max.	Unit
Supply voltage	-26.0	—	26.0	V
Applied output voltage	-0.5	—	26.0	V
Output current	—	—	20.0	mA
Magnetic flux	—	—	no limit	Gauss

## NOTICE

Absolute maximum ratings are the extreme limits the device will momentarily withstand without damage to the device. Electrical and mechanical characteristics are not guaranteed if the rated voltage and/or currents are exceeded, nor will the device necessarily operate at absolute maximum ratings.

# High Sensitivity Latching Digital Hall-effect Sensor ICs: SS360NT, SS360ST, SS360ST-10K, SS460S, SS460S-T2, SS460S-LP

Figure 1. Sensor IC Block Diagram

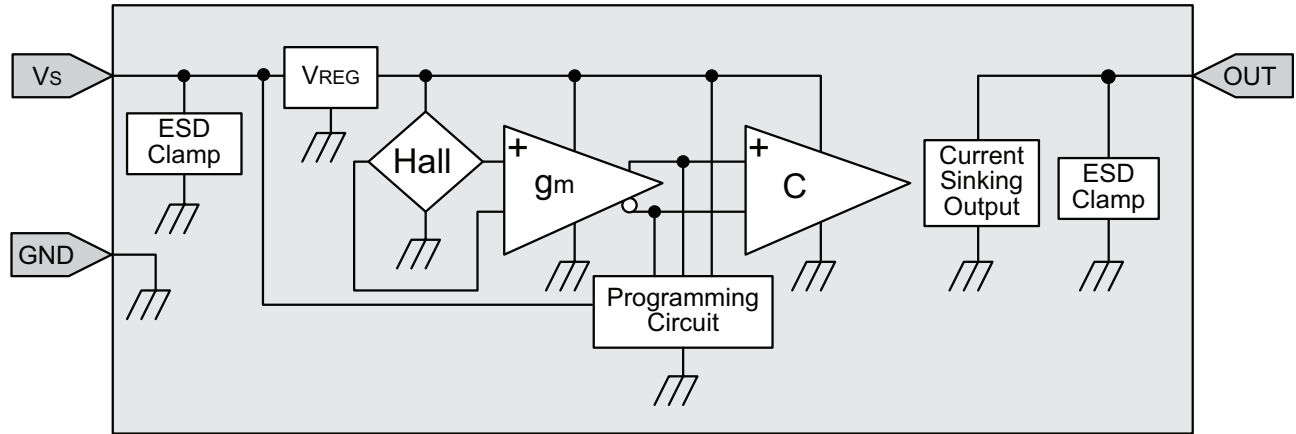


Figure 2. Typical Magnetic Characteristics vs Ambient Temperature at Supply Voltages

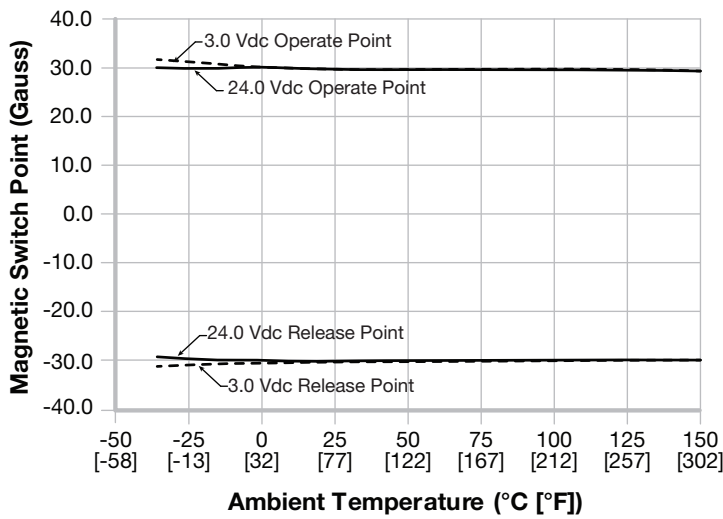


Figure 3. SS360NT, SS360ST, SS360ST-10K Maximum Rated Supply Voltage vs Temperature

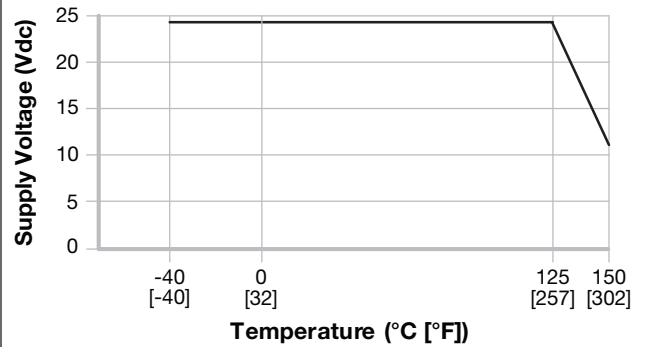
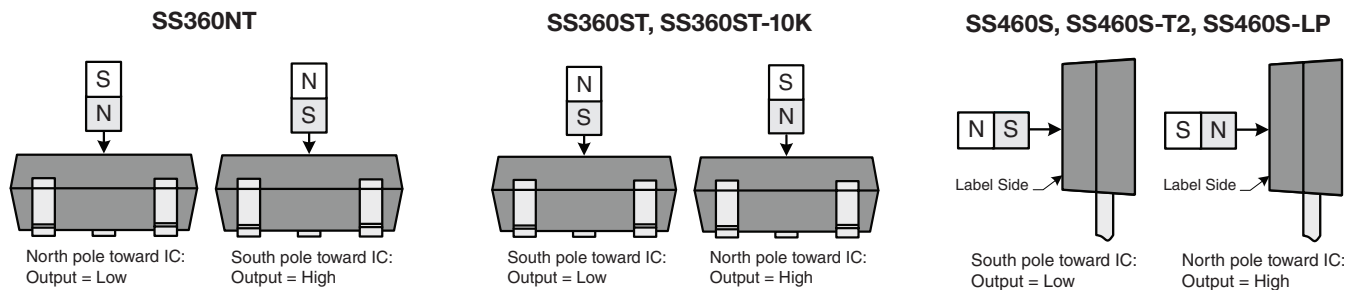


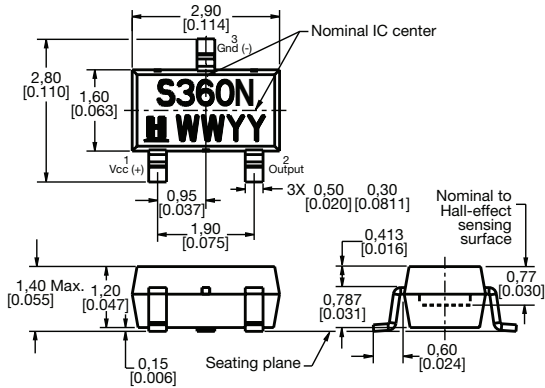
Figure 4. Magnetic Activation



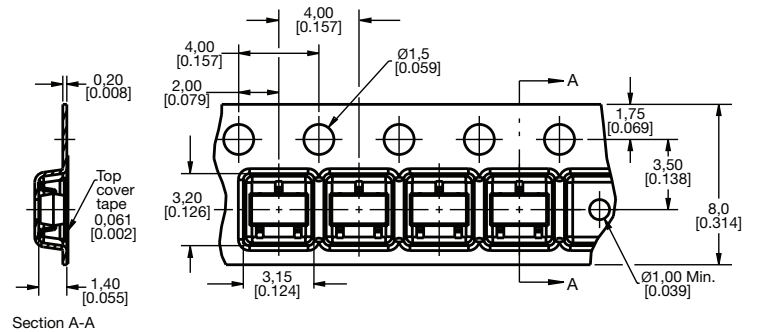
# High Sensitivity Latching Digital Hall-effect Sensor ICs: SS360NT, SS360ST, SS360ST-10K, SS460S, SS460S-T2, SS460S-LP

Figure 5. SS360NT, SS360ST and SS360ST-10K Sensor IC, Tape and Reel Mounting Dimensions (For reference only, mm/in.)

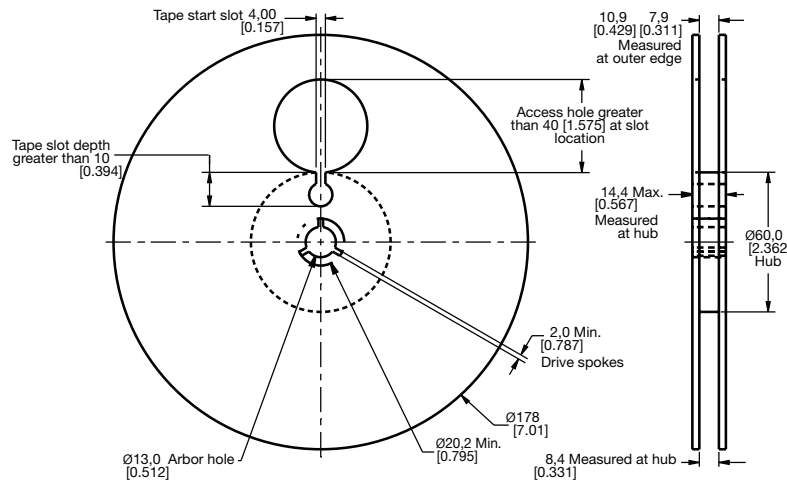
## SS360NT, SS360ST, SS360ST-10K Sensor IC



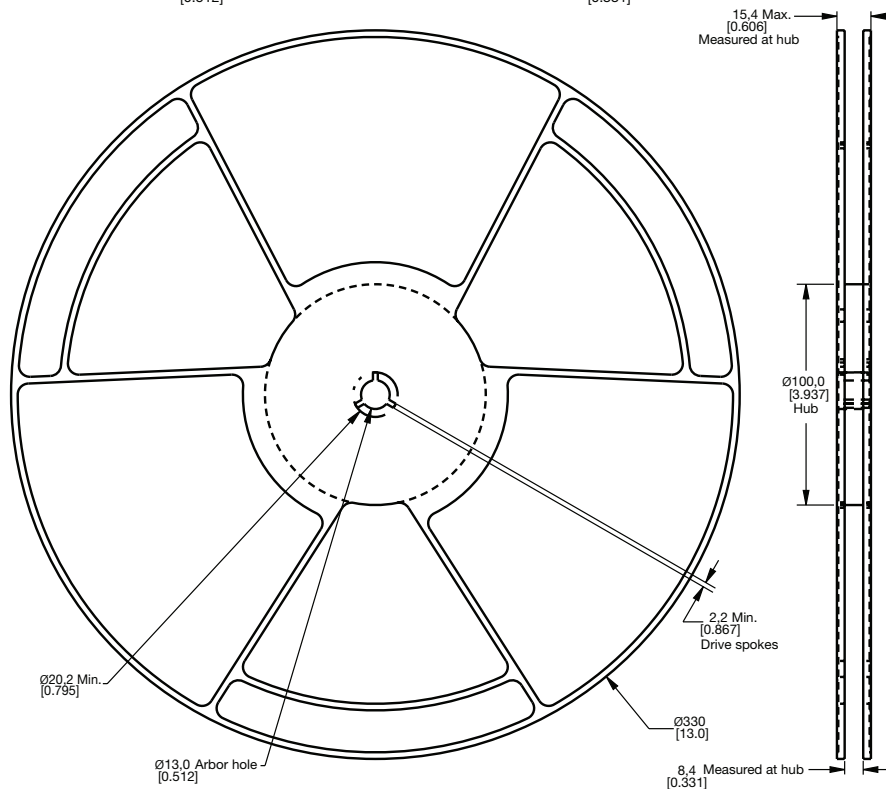
## SS360NT, SS360ST, SS360ST-10K Tape



## SS360NT, SS360ST 178 mm [7 in] Reel



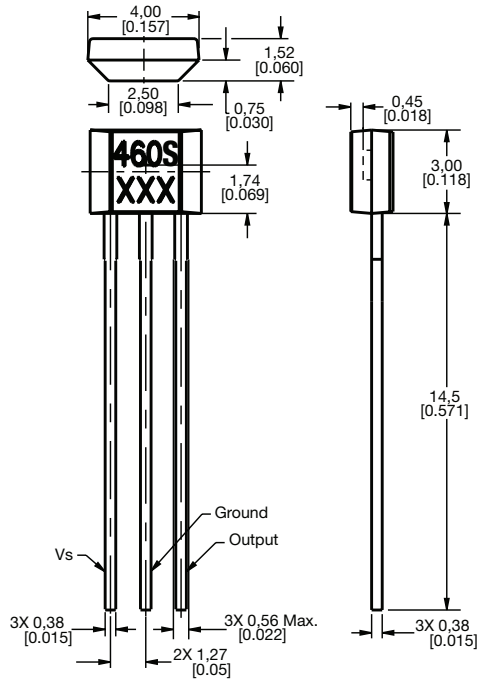
## SS360ST-10K 330 mm [13 in] Reel



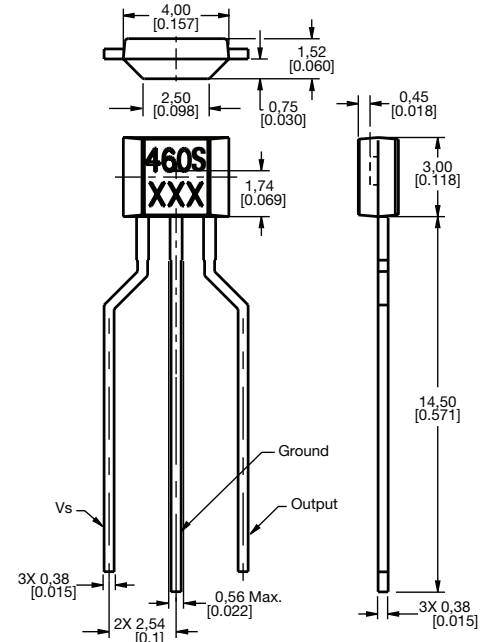
# High Sensitivity Latching Digital Hall-effect Sensor ICs: SS360NT, SS360ST, SS360ST-10K, SS460S, SS460S-T2, SS460S-LP

Figure 6. SS460S Sensor IC, SS460S-T2 Sensor IC and Ammpack Tape-in-Box Mounting Dimensions (For reference only. mm/in.)

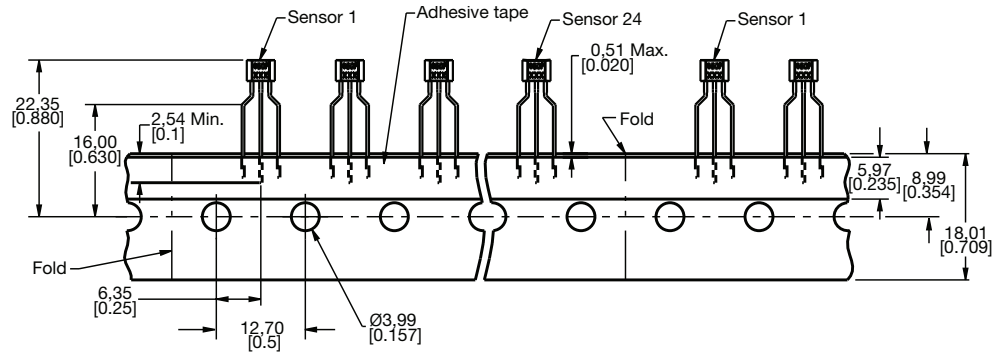
## SS460S Sensor IC



## SS460S-T2 Sensor IC



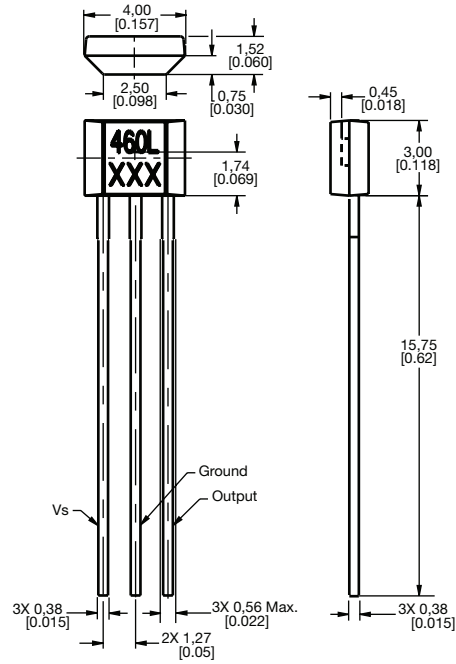
## SS460S-T2 Ammopack Tape-in-Box



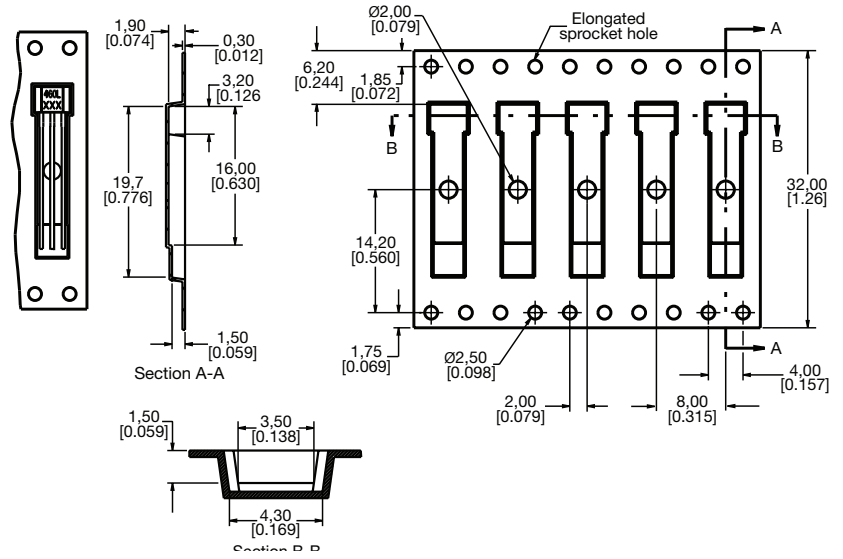
# High Sensitivity Latching Digital Hall-effect Sensor ICs: SS360NT, SS360ST, SS360ST-10K, SS460S, SS460S-T2, SS460S-LP

Figure 7. SS460-LP Sensor IC, Tape and Reel Mounting Dimensions (For reference only. mm/in.)

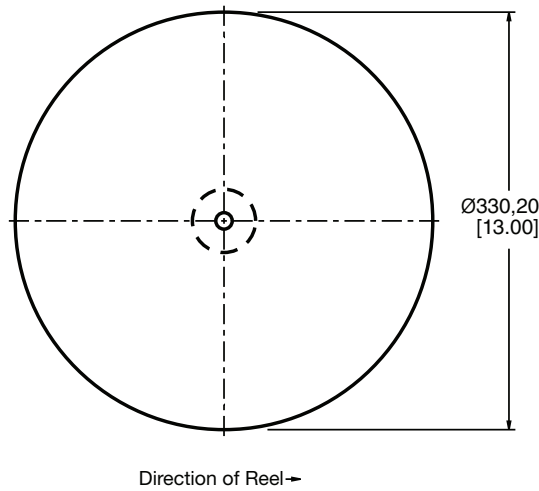
## SS460-LP Sensor IC



## SS460-LP Tape






## SS460-LP 330 mm [13 in] Reel



# High Sensitivity Latching Digital Hall-effect Sensor ICs: SS360NT, SS360ST, SS360ST-10K, SS460S, SS460S-T2, SS460S-LP

Table 3. Order Guide

Catalog Listing	Description	
SS360NT	High sensitivity latching digital Hall-effect sensor IC, North pole activated, SOT-23 package, tape and 178 mm [7 in] reel packaging, 3000 units/reel	
SS360ST	High sensitivity latching digital Hall-effect sensor IC, South pole activated, SOT-23 package, tape and 178 mm [7 in] reel packaging, 3000 units/reel	
SS360ST-10K	High sensitivity latching digital Hall-effect sensor IC, South pole activated, SOT-23 package, tape and 330 mm [13 in] reel packaging, 1000 units/reel	
SS460S	High sensitivity latching digital Hall-effect sensor IC, South pole activated, flat TO-92-style package, 14,5 mm [0.57 in] straight standard leads, bulk packaging, 1000 units/bag	
SS460S-T2	High sensitivity latching digital Hall-effect sensor IC, South pole activated, flat TO-92-style package, formed leads, ammopack tape-in-box packaging, 5000 units/box	
SS460S-LP	High sensitivity latching digital Hall-effect sensor IC, South pole activated, flat TO-92-style package, 18,7 mm [0.74 in] straight long leads, pocket tape and 330 mm [13 in] reel packaging, 3000 units/reel	

## ADDITIONAL INFORMATION

The following associated literature is available on the Honeywell web site at [sensing.honeywell.com](http://sensing.honeywell.com):

- Product line guide
- Product range guide
- Product installation instructions
- Application sheet:
  - Magnetic Position Sensing in Brushless DC Electric Motors
- Technical notes:
  - Achieving High Sensitivity and Magnetic Stability without the Use of Chopper Stabilization in Bipolar Latching Hall-Effect Sensors for Brushless DC Motor Applications
  - How to Select Hall-Effect Sensors for Brushless DC Motors

## Find out more

Honeywell serves its customers through a worldwide network of sales offices, representatives and distributors.

For application assistance, current specifications, pricing or name of the nearest Authorized Distributor, contact your local sales office.

To learn more about Honeywell Sensing and Productivity Solutions' products, call **+1-815-235-6847** or **1-800-537-6945**, visit **[sensing.honeywell.com](http://sensing.honeywell.com)**, or e-mail inquiries to **[info.sc@honeywell.com](mailto:info.sc@honeywell.com)**

## Honeywell Sensing and Productivity Solutions

9680 Old Bailes Road  
Fort Mill, SC 29707  
[honeywell.com](http://honeywell.com)

32312441-B-EN IL50  
July 2016  
© 2016 Honeywell International Inc. All rights reserved.

## **⚠ WARNING** **PERSONAL INJURY**

DO NOT USE these products as safety or emergency stop devices or in any other application where failure of the product could result in personal injury.

**Failure to comply with these instructions could result in death or serious injury.**

## **⚠ WARNING** **MISUSE OF DOCUMENTATION**

- The information presented in this datasheet is for reference only. Do not use this document as a product installation guide.
- Complete installation, operation, and maintenance information is provided in the instructions supplied with each product.

**Failure to comply with these instructions could result in death or serious injury.**

## Warranty/Remedy

Honeywell warrants goods of its manufacture as being free of defective materials and faulty workmanship. Honeywell's standard product warranty applies unless agreed to otherwise by Honeywell in writing; please refer to your order acknowledgment or consult your local sales office for specific warranty details. If warranted goods are returned to Honeywell during the period of coverage, Honeywell will repair or replace, at its option, without charge those items that Honeywell, in its sole discretion, finds defective. **The foregoing is buyer's sole remedy and is in lieu of all other warranties, expressed or implied, including those of merchantability and fitness for a particular purpose. In no event shall Honeywell be liable for consequential, special, or indirect damages.**

While Honeywell may provide application assistance personally, through our literature and the Honeywell web site, it is customer's sole responsibility to determine the suitability of the product in the application.

Specifications may change without notice. The information we supply is believed to be accurate and reliable as of this printing. However, Honeywell assumes no responsibility for its use.

# Honeywell