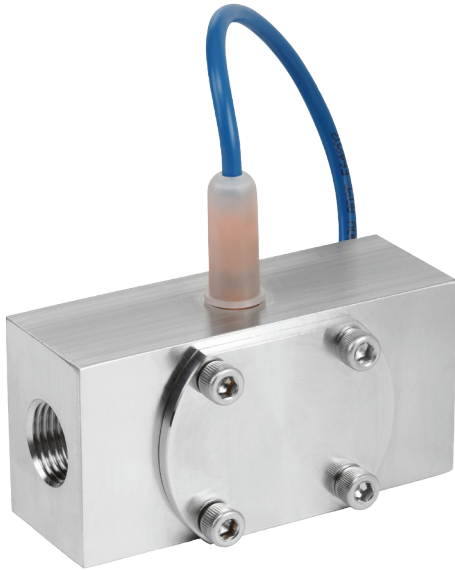


SES

STAINLESS SINGLE-JET METER

Seametrics



APPLICATIONS

Low flow monitoring

Chemical batching

Proportional chemical injection

Fertilizer injection

Features

- Accurate at low flows
- Simple and durable
- Rugged body
- High tolerance for problem fluids

The **SES** single-jet meter provides accurate, wide range flow metering in an extremely rugged stainless steel package. Single-jet simplicity combined with high quality jewel bearings results in long life and relatively high tolerance for problem fluids. Typical applications are chemical batching, proportional chemical injection, fertilizer injection, proportioning of spray chemicals, and general flow rate monitoring.

The sensor is easily replaced from outside the meter, and is compatible with most of the Seametrics indicators and transmitters, as well as most controls and PLC's that accept DC inputs. The standard rotor is PVDF (Kynar®) and the shaft is a special nickel-bonded tungsten carbide. The optional ceramic shaft increases resistance to some concentrated chemicals. The standard O-ring is Teflon®-coated Viton®.

Contact Your Supplier



Features

18' (6 m) Sensor Cable

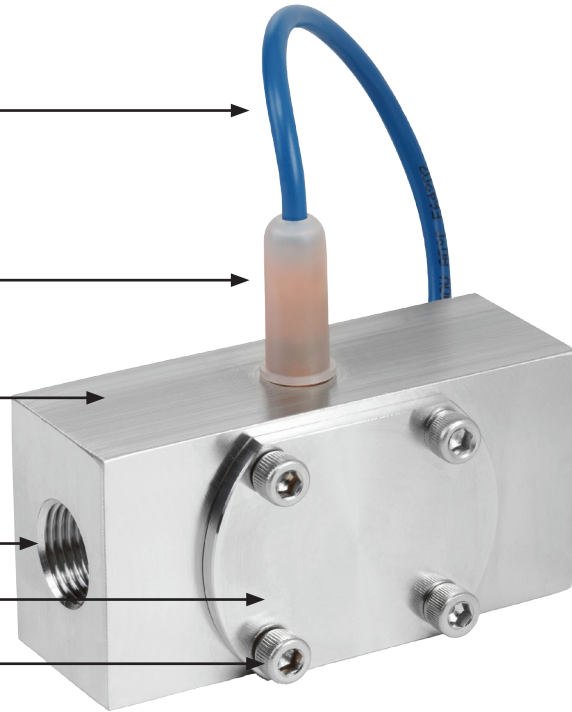
Thread-in Sensor, Field Replaceable,
6–24 Vdc Pulse

316 Stainless Steel Body

Female NPT Thread

Removeable 316SS Cover

Hex Screws



Internal

- Jewel Bearings—Ruby Ring and Ball
- Kynar®/Tungsten Carbide Rotor Assembly (*Kynar®/Ceramic or Kynar®/Silicon Carbide optional*)
- Teflon®-coated Viton® O-ring (*Viton® or EPDM optional*)



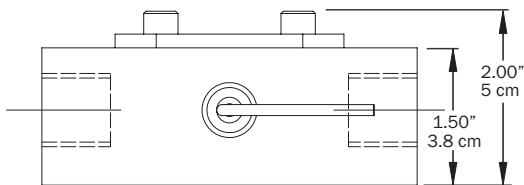
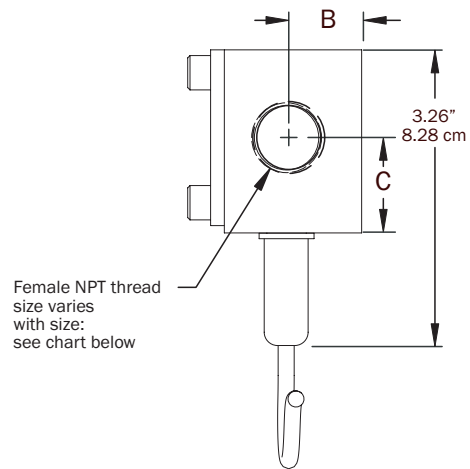
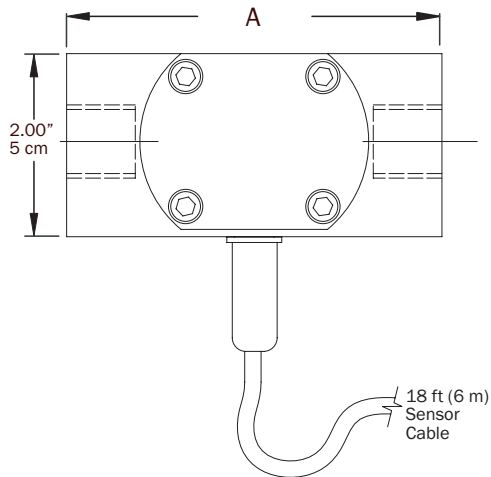
*Field Replacement
of Sensor*

Specifications*

Connection Ports		1/2", 3/4", 1" —Female NPT thread
Sensor Cable		18 ft (6 m) standard—maximum cable run 2000 ft (607 m)
Materials	Body	316 stainless steel
	Rotor	PVDF (Kynar®)—2 magnet (6 magnet high resolution optional)
	Shaft	Nickel-bonded tungsten carbide (ceramic or silicon carbide optional)
	O-Ring	Teflon®-coated Viton® (Viton® or EDPM optional)
	Bearings	Ruby ring and ball
	Cover	316 stainless steel
Maximum Temperature		200° F (93° C)
Maximum Pressure		500 psi (35 bar)
Accuracy		±1% of full scale
Power	Standard	6–36 Vdc, < 2 mA
	Micropower	3.1–16 Vdc, 60 µA @ 3.6 Vdc (for FT450 and DL76 only)
Outputs		Current sinking pulse, 6–24 Vdc

* Specifications subject to change. Please consult our website for current data (seametrics.com)
Kynar is a registered trademark of Arkema, Inc., Teflon and Viton are registered trademarks for DuPont Corporation

Dimensions



Model	NPT Thread Size	A	B	C
-050	1/2 inch	4.10	0.82	1.04
-075	3/4 inch	4.10	0.82	1.04
-100	1 inch	5.00	0.75	1.00

How to Order

Model	Size	Options
SES	-050 = 1/2" (0.1–10 gpm) -075 = 3/4" (0.2–15 gpm) -100 = 1" (0.5–25 gpm)	-01 = Ceramic shaft -04 = Micropower pickup (for use with FT450 or DL76 only) -06 = Standard power, LMI 4-pin connector -07 = Standard power, Seametrics control connector -13 = High resolution rotor -60 = Viton® o-ring -68 = Silicon carbide shaft -69 = EPDM o-ring -70 = SAE threads -106 = Roytronic® Series A Pump 5-pin connector

Accessories

FT430W = Rate and Total Indicator, DC powered	FT520 = Batch Flow Processor
FT440W = Rate and Total Indicator, loop powered	DL76W = Data Logger
FT450W = Rate and Total Indicator, battery powered	PC3 = Plug-in Power Converter, 100–115 Vac, 24 Vdc
AO55W = Blind Analog Transmitter (4–20 mA)	PC12 = DIN or Wall Mount Power Converter, 100–115 Vac, 24 Vdc

Roytronic is a registered trademark of Milton Roy Company, Viton is a registered trademark of DuPont Corporation

Flow Range

Model #	K-Factor* (pulses/gal)	Gal/Min	Liter/Min
-050	535	0.1–10	0.38–38
-075	390	0.2–15	0.75–57
-100	220	0.5–25	1.9–95

**Nominal K-factors (based on averages) for standard 2-magnet SPT and SPX. High resolution (6-magnet) K-factors are approximately tripled.*

Pressure Drop Curves

