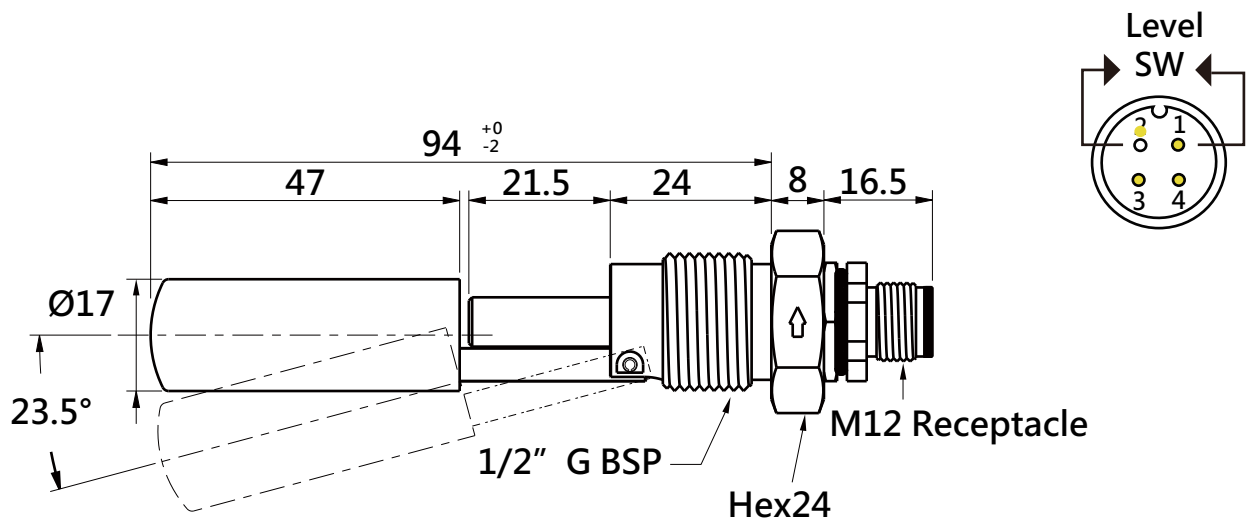
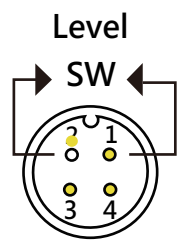
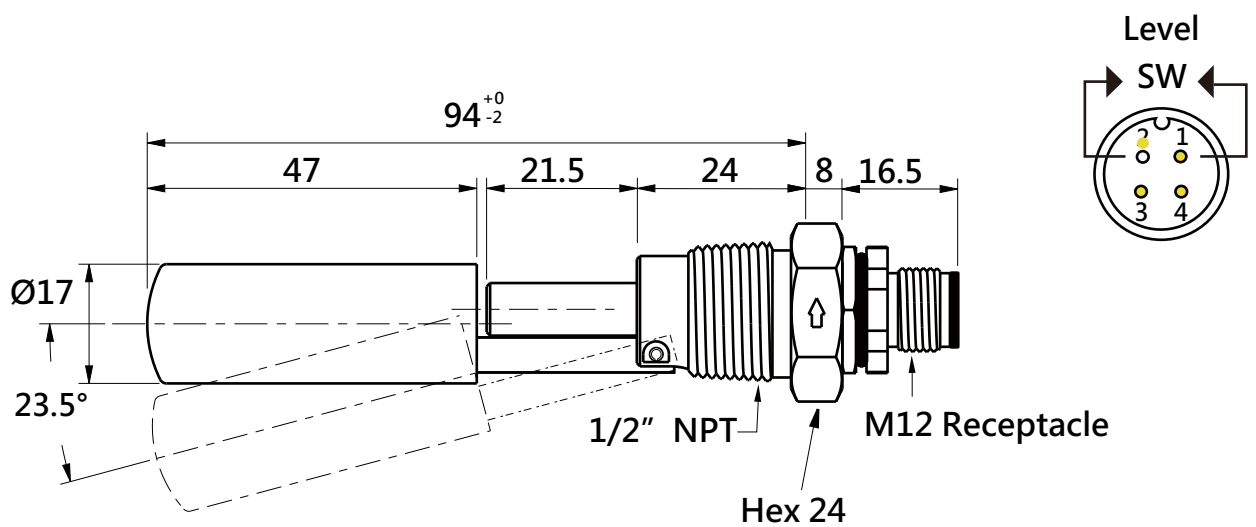


LKS-3612-M12



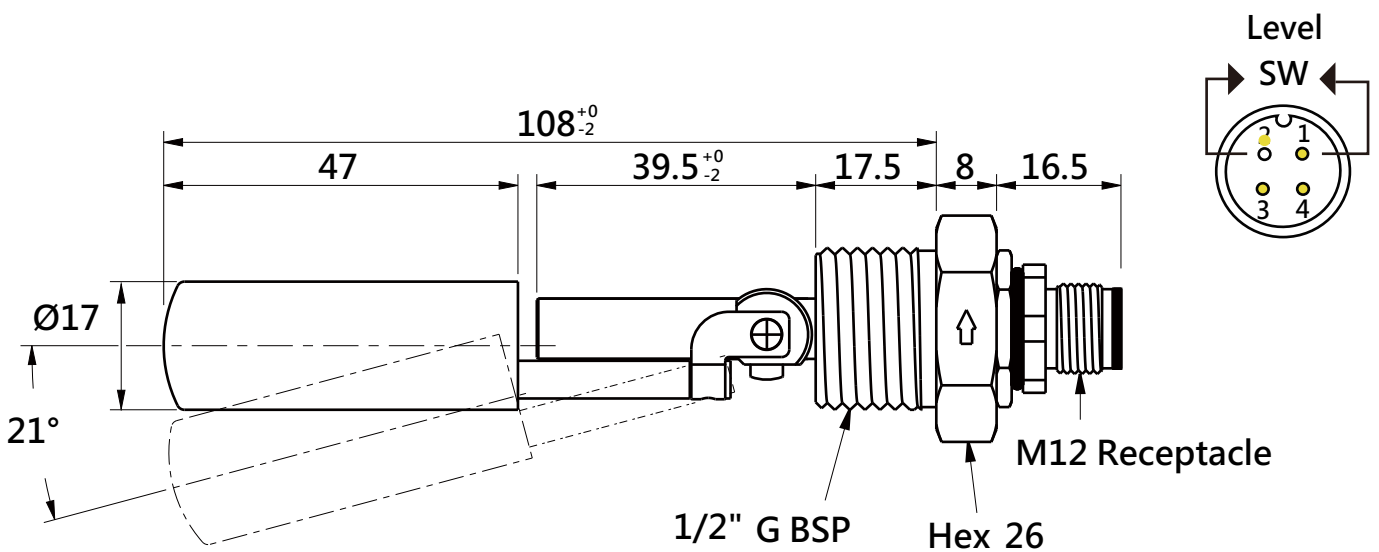
LKS-3612-M12	
Mounting Style	External
Mounting thread	$1/2''$ G BSP
stem	SUS304
Float	SUS316 $\text{Ø}17 \times 47$
Operation Temp.	- 10°C ~ +120°C
Max.Pressure	10 Bar
Float S.G.	0.7
Mini.Fluid S.G.	0.8
Contact Form	N/O(N/C),SPST
Switch Rating VA	50W
Switching Voltage Max.	240Vac/200Vdc
Switching Current Max.	0.5A
Carry Current Max.	1A
Connection	M12 Receptacle

LKS-3314



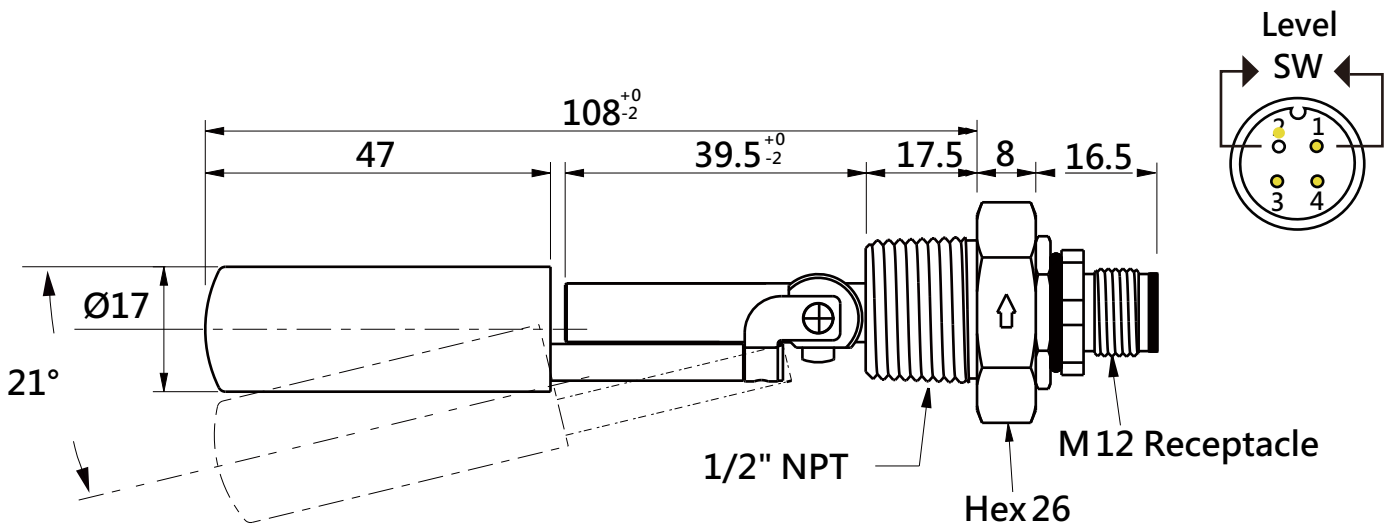
LKS-3314	
Mounting Style	External
Mounting thread	1/2" NPT
stem	SUS304
Float	SUS316 Ø17x47
Operation Temp.	- 10°C ~ +120°C
Max.Pressure	10 Bar
Float S.G.	0.7
Mini.Fluid S.G.	0.8
Contact Form	N/O(N/C),SPST
Switch Rating VA	50W
Switching Voltage Max.	240Vac/200Vdc
Switching Current Max.	0.5A
Carry Current Max.	1A
Connection	M12 Receptacle

LKS-3644



LKS-3644	
Mounting Style	External
Mounting thread stem	1/2" G BSP
Float	SUS316 $\varnothing 17 \times 47$
Operation Temp.	- 10°C ~ +120°C
Max.Pressure	10 Bar
Float S.G.	0.7
Mini.Fluid S.G.	0.8
Contact Form	N/O(N/C),SPST
Switch Rating VA	50W
Switching Voltage Max.	240Vac/200Vdc
Switching Current Max.	0.5A
Carry Current Max.	1A
Connection	M12 Receptacle

LKS-3344



LKS-3344	
Mounting Style	External
Mounting thread	$1/2''$ NPT
stem	SUS304
Float	SUS316 $\text{Ø}17 \times 47$
Operation Temp.	$-10^\circ\text{C} \sim +120^\circ\text{C}$
Max.Pressure	10 Bar
Float S.G.	0.7
Mini.Fluid S.G.	0.8
Contact Form	N/O(N/C),SPST
Switch Rating VA	50W
Switching Voltage Max.	240Vac/200Vdc
Switching Current Max.	0.5A
Carry Current Max.	1A
Connection	M12 Receptacle