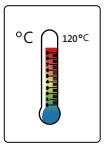
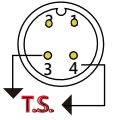
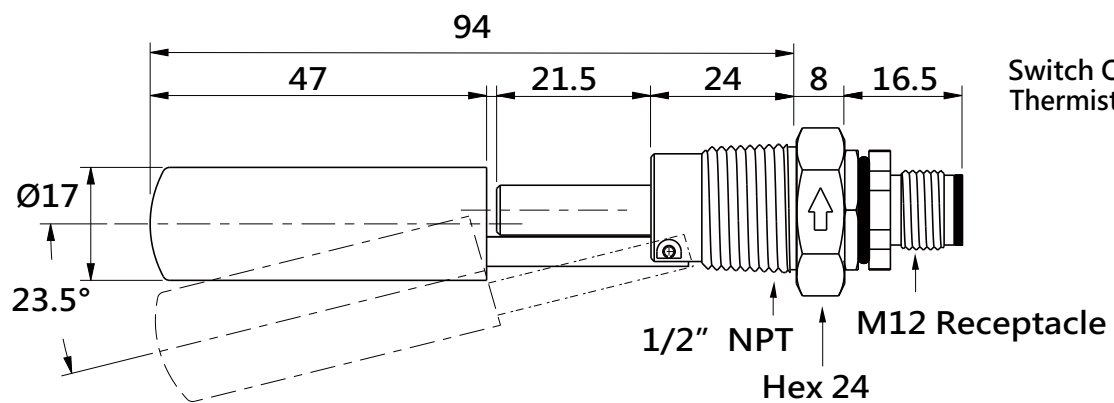


LKJ-3314-M12



NTC



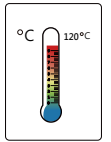
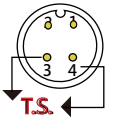
Switch On Pins 1 & 2
Thermistor Pins 3 & 4

LKJ-3314-M12-AT

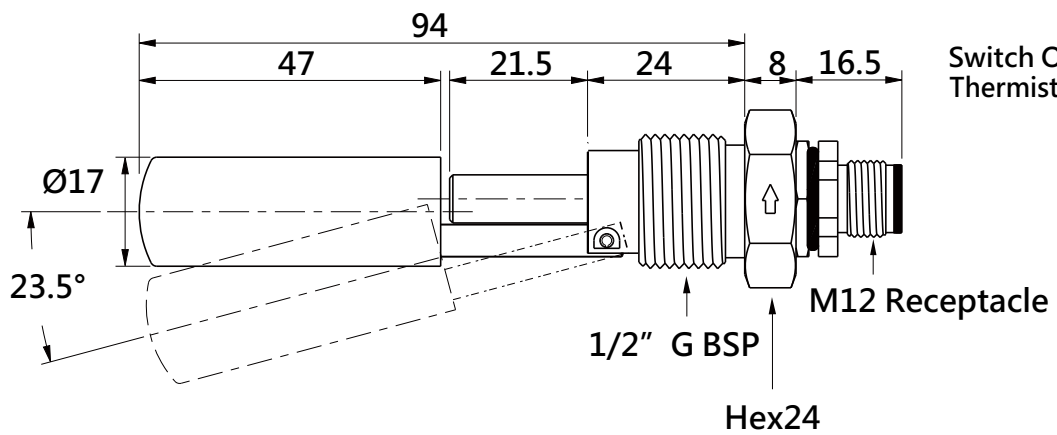
LKJ-3314-M12-BT

	LKJ-3314-M12-AT	LKJ-3314-M12-BT
Mounting Style	External Fitting	
Mounting Thread	1/2" NPT/M12 Receptacle	
Float & Stem Material	SUS 316/SUS 304	
Maximum Temperature	120°C	
Maximum Pressure	10 bar	
Float S.G.	0.7	
Minimum Fluid S.G.	0.8	
Contact Form	N/O (N/C)	
Switching Power Max. W/VA	50W	100W
Switching Voltage AC Max. Vac	240Vac	300Vac
Switching Voltage DC Max. Vdc	200Vdc	300Vdc
Switching Current Max. A	0.5	
Electrical Termination	M12 Quick Connector	
Nominal Temperature Resistance	10k Ohm at 25°C	
Resistance Tolerance	± 1°C(25°C) To ± 4.3% (120°C)	
Operating Temperature Range	-20% To +120°C	
Temperature sensing Accuracy	± 0.2°C(0°C To +70°C)	
Beta Value	3,892K (0/50°C)	
Response Time	< 1 Sec.	
Dissipation Constant		

LKJ-3610-M12



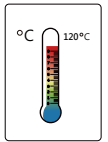
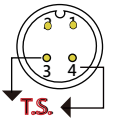
NTC



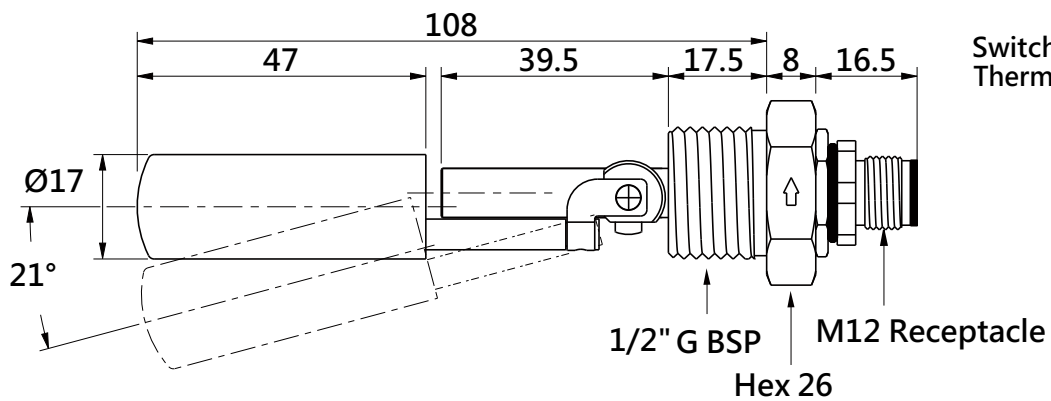
Switch On Pins 1 & 2
Thermistor Pins 3 & 4

	LKJ-3610-M12-AT	LKJ-3610-M12-BT
Mounting Style	External Fitting	
Mounting Thread	1/2" G BSP/M12 Receptacle	
Float & Stem Material	SUS 316/SUS 304	
Maximum Temperature	120°C	
Maximum Pressure	10 bar	
Float S.G.	0.7	
Minimum Fluid S.G.	0.8	
Contact Form	N/O (N/C)	
Switching Power Max. W/VA	50W	100W
Switching Voltage AC Max. Vac	240Vac	300Vac
Switching Voltage DC Max. Vdc	200Vdc	300Vdc
Switching Current Max. A	0.5	
Electrical Termination	M12 Quick Connector	
Nominal Temperature Resistance	10k Ohm at 25°C	
Resistance Tolerance	± 1°C(25°C) To ± 4.3% (120°C)	
Operating Temperature Range	-20% To +120°C	
Temperature sensing Accuracy	± 0.2°C(0°C To +70°C)	
Beta Value	3,892K (0/50°C)	
Response Time	< 1 Sec.	
Dissipation Constant		

LKJ-3644



NTC



Switch On Pins 1 & 2
Thermistor Pins 3 & 4

LKJ-3644-AT

LKJ-3644-BT

	LKJ-3644-AT	LKJ-3644-BT
Mounting Style	External Fitting	
Mounting Thread	1/2" G BSP/M12 Receptacle	
Float & Stem Material	SUS 316/SUS 304	
Maximum Temperature	120°C	
Maximum Pressure	10 bar	
Float S.G.	0.7	
Minimum Fluid S.G.	0.8	
Contact Form	N/O (N/C)	
Switching Power Max. W/VA	50W	100W
Switching Voltage AC Max. Vac	240Vac	300Vac
Switching Voltage DC Max. Vdc	200Vdc	300Vdc
Switching Current Max. A	0.5	
Electrical Termination	M12 Quick Connector	
Nominal Temperature Resistance	10k Ohm at 25°C	
Resistance Tolerance	± 1°C(25°C) To ± 4.3% (120°C)	
Operating Temperature Range	-20% To +120°C	
Temperature sensing Accuracy	± 0.2°C(0°C To +70°C)	
Beta Value	3,892K (0/50°C)	
Response Time	< 1 Sec.	
Dissipation Constant		