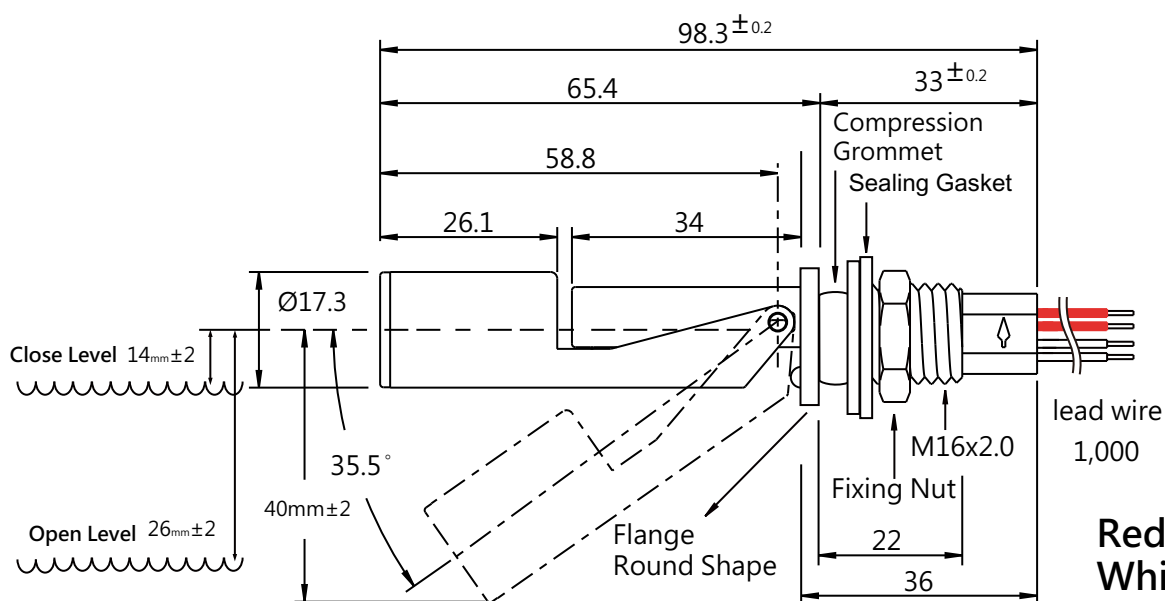
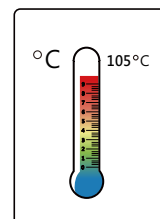


LKF-R6710-BT



**Red-Thermistor
White-Level Switch**

LKP-R6710-BT

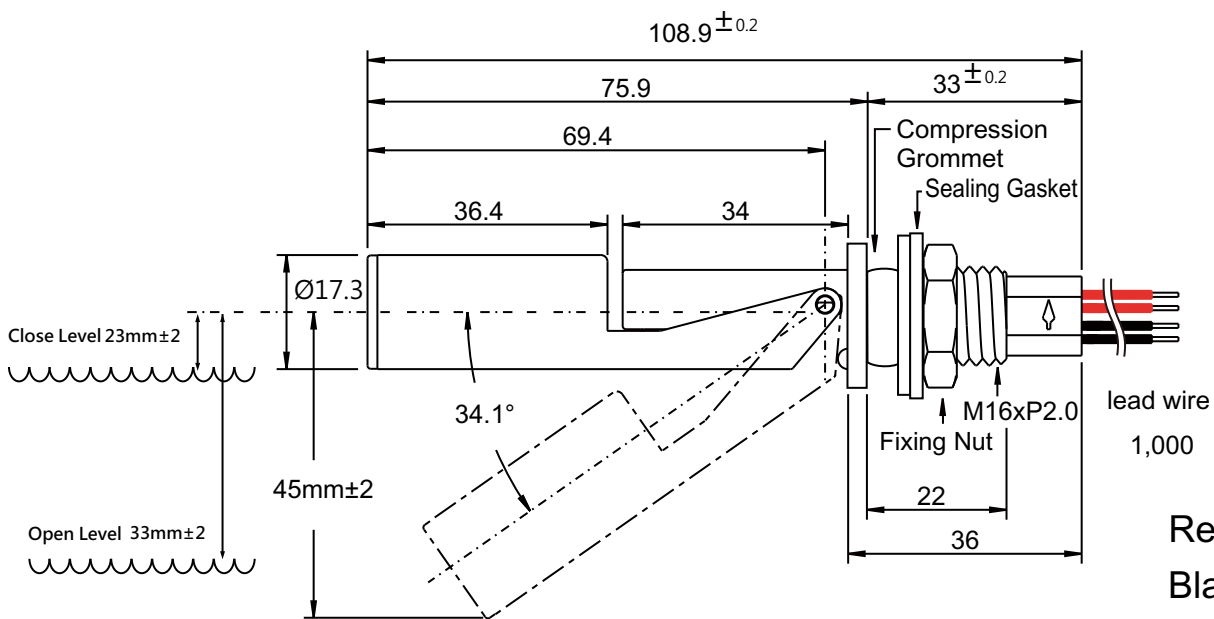
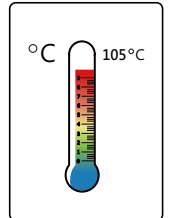
Level Switch :

Mounting Thread	M16 x P2.0/Universal In/External Fitting
Float & Stem Material	PVDF (Polyvinylidene Fluoride)
Maximum Temperature	-20°C To +105°C
Maximum Pressure	10 bar
Float S.G.	0.7
Minimum Fluid S.G.	0.8
Contact Form	SPST
Switching Power Max. W/VA	100W
Switching Voltage AC /DC : Max. Vac/Vdc	300Vac/300Vdc
Switching Current Max. A	0.5
Electrical Termination	UL 1332AWG 22 XLPE Lead Wire 1 M

Temperature Sensor :

	NTC Thermistor Technology
Nominal Temperature Resistance	10k Ohm at 25°C
Resistance Tolerance	± 1°C(25°C) To ± 4.3% (120°C)
Operating Temperature Range	-20% To +120°C
Temperature sensing Accuracy	± 0.2°C(0°C To +70°C)
Beta Value	3,892K (0/50°C)
Response Time	< 1 Sec.
Dissipation Constant	

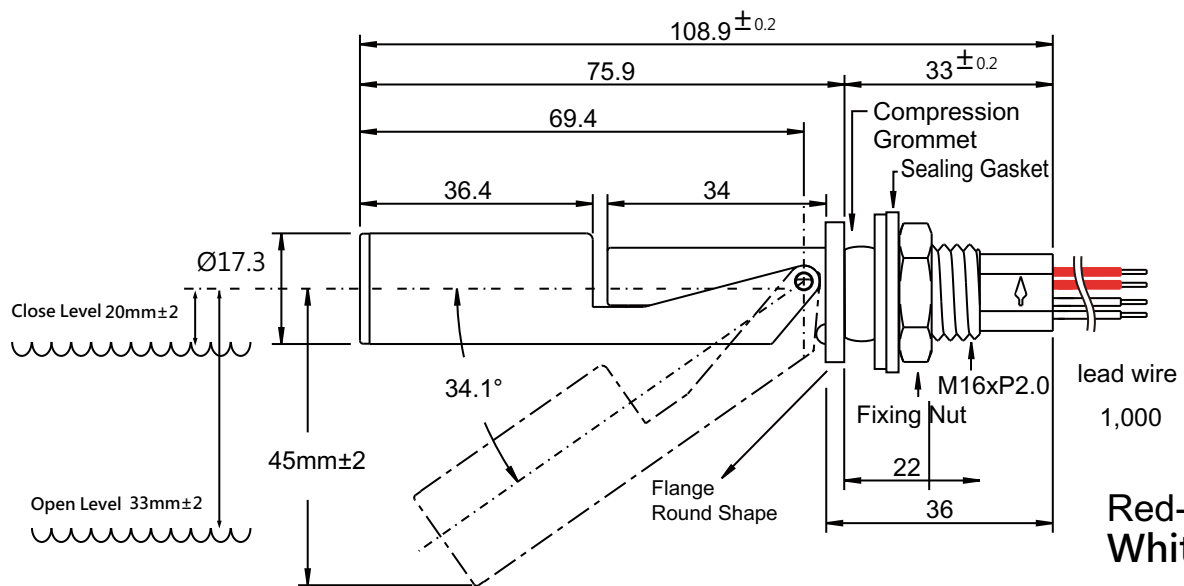
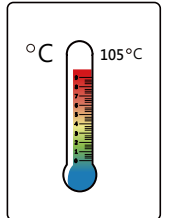
LKF-R6720-AT



LKP-R6^{LFS}-01H720-AT

Level Switch:	
Mounting Thread	M16 x P2.0/Universal In/External Fitting
Float & Stem Material	PVDF (Polyvinylidene Fluoride)
Maximum Temperature	-20°C To +105°C
Maximum Pressure	10 bar
Float S.G.	0.7
Minimum Fluid S.G.	0.8
Contact Form	SPST
Switching Power Max. W/VA	50W
Switching Voltage AC /DC : Max. Vac/Vdc	240Vac/200Vdc
Switching Current Max. A	0.5
Electrical Termination	UL 1332 AWG 22 XLPE Lead Wire 1 M
Temperature Sensor:	NTC Thermistor Technology
Nominal Temperature Resistance	10k Ohm at 25°C
Resistance Tolerance	± 1°C(25°C) To ± 4.3% (120°C)
Operating Temperature Range	-20% To +120°C
Temperature sensing Accuracy	± 0.2°C(0°C To +70°C)
Beta Value	3,892K (0/50°C)
Response Time	< 1 Sec.
Dissipation Constant	

LKF-R6720-BT



LKP-R6^{LFS}-01H720-BT

Level Switch :

Mounting Thread	M16 x P2.0/Universal In/External Fitting
Float & Stem Material	PVDF (Polyvinylidene Fluoride)
Maximum Temperature	-20°C To +105°C
Maximum Pressure	10 bar
Float S.G.	0.7
Minimum Fluid S.G.	0.8
Contact Form	SPST
Switching Power Max. W/VA	100W
Switching Voltage AC /DC : Max. Vac/Vdc	300Vac/300Vdc
Switching Current Max. A	0.5
Electrical Termination	UL 1332 AWG 22 XLPE Lead Wire 1 M

Temperature Sensor :

	NTC Thermistor Technology
Nominal Temperature Resistance	10k Ohm at 25°C
Resistance Tolerance	± 1°C(25°C) To ± 4.3% (120°C)
Operating Temperature Range	-20% To +120°C
Temperature sensing Accuracy	± 0.2°C(0°C To +70°C)
Beta Value	3,892K (0/50°C)
Response Time	< 1 Sec.
Dissipation Constant	