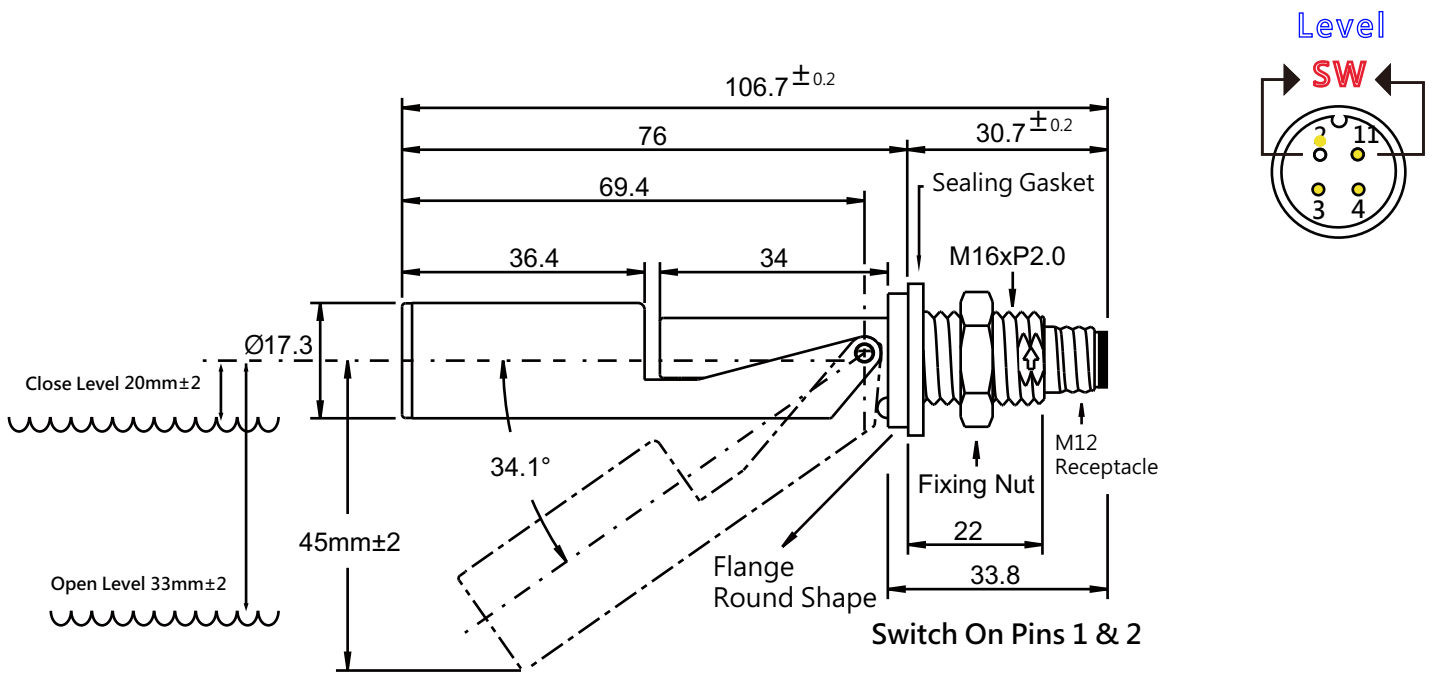
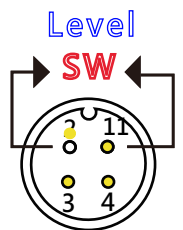
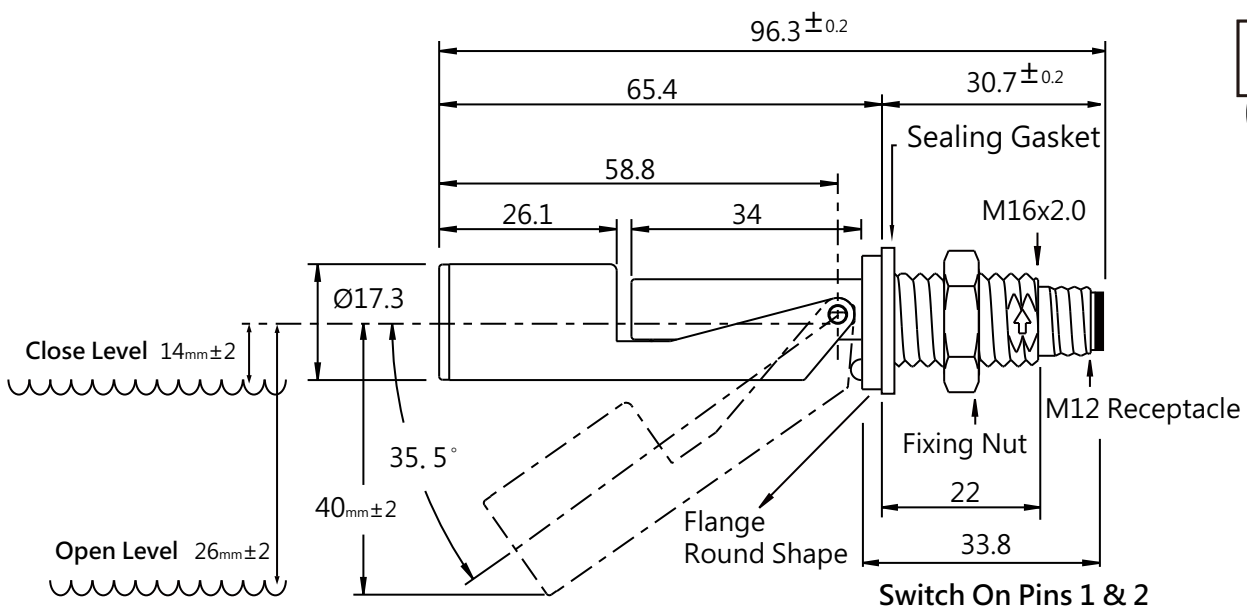


# LKF-M6720-B



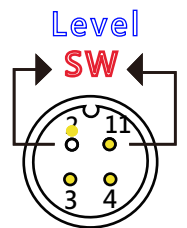
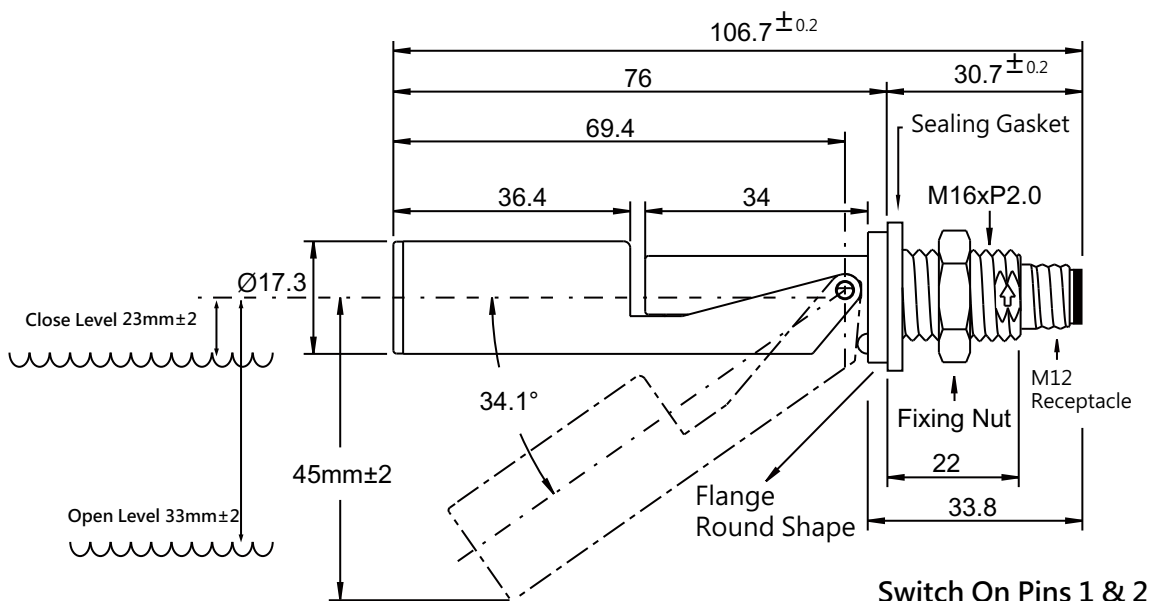
LK LFS-01HP-M6720-B	
Mounting Style	Universal In/External Fitting
Mounting thread stem	M16/M12 Receptacle
Float	PVDF (Polyvinylidene Fluoride)
Operation Temp.	PVDF, Ø17X36.4
Max.Pressure	-20°C To +105°C
Float S.G.	5 bar
Mini.Fluid S.G.	0.8
Contact Form	0.85
Switch Rating VA	SPST
Switching Voltage Max.	100W
Switching Current Max.	300Vac/300Vdc
Carry Current Max.	0.5
Connection	1A
	M12 Receptacle/ Pins 1 & 2 For Switch

# LKF-M6710-B



LKP-M6710-B	
Mounting Style	Universal In/External Fitting
Mounting thread	M16/M12 Receptacle
stem	PVDF (Polyvinylidene Fluoride)
Float	PVDF, Ø17X26.5
Operation Temp.	-20°C To +105°C
Max.Pressure	5 bar
Float S.G.	0.8
Mini.Fluid S.G.	0.85
Contact Form	SPST
Switch Rating VA	100W
Switching Voltage Max.	300Vac/300Vdc
Switching Current Max.	0.5
Carry Current Max.	1A
Connection	M12 Receptacle/Pins 1 & 2 For Switch

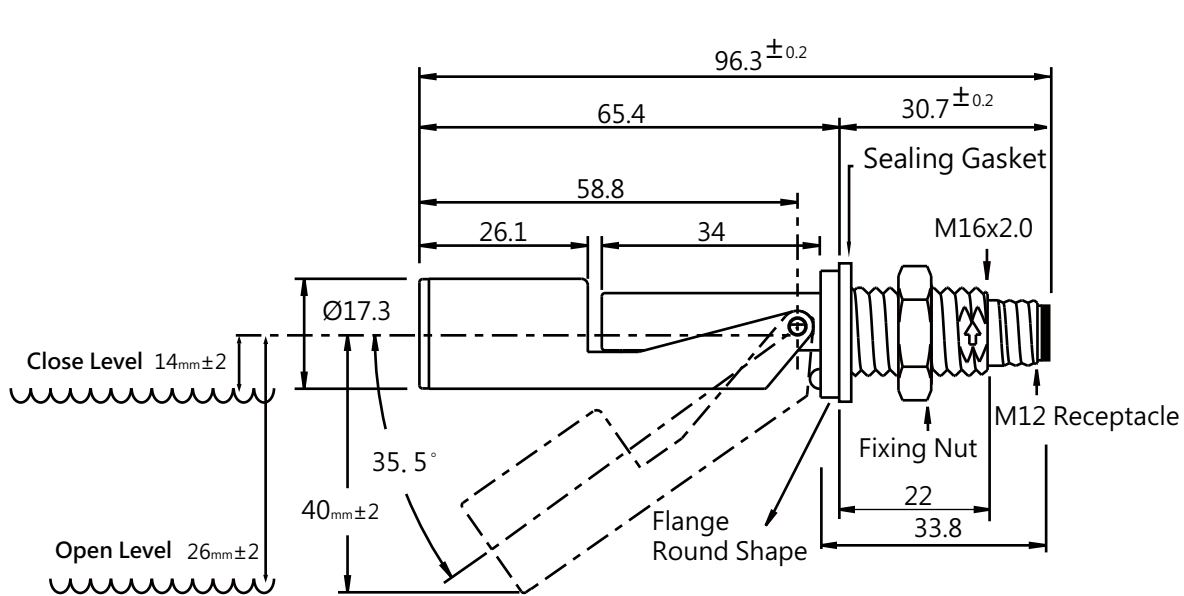
# LKF-M6720-A



## LK LFS-01HP-M6720-A

Mounting Style	Universal In/External Fitting
Mounting thread	M16/M12 Receptacle
stem	PVDF (Polyvinylidene Fluoride)
Float	PVDF, Ø17X36.4
Operation Temp.	-20°C To +105°C
Max.Pressure	5 bar
Float S.G.	0.8
Mini.Fluid S.G.	0.85
Contact Form	SPST
Switch Rating VA	50W
Switching Voltage Max.	240Vac/200Vdc
Switching Current Max.	0.5
Carry Current Max.	1A
Connection	M12 Receptacle/ Pins 1 & 2 For Switch

# LKF-M6710-A



Switch On Pins 1 & 2

LK LFS-01HP-M6710-A	
Mounting Style	Universal In/External Fitting
Mounting thread	M16/M12 Receptacle
stem	PVDF (Polyvinylidene Fluoride)
Float	PVDF, Ø17X26.5
Operation Temp.	-20°C To +105°C
Max.Pressure	5 bar
Float S.G.	0.8
Mini.Fluid S.G.	0.85
Contact Form	SPST
Switch Rating VA	50W
Switching Voltage Max.	240Vac/200Vdc
Switching Current Max.	0.5
Carry Current Max.	1A
Connection	M12 Receptacle/Pins 1 & 2 For Switch