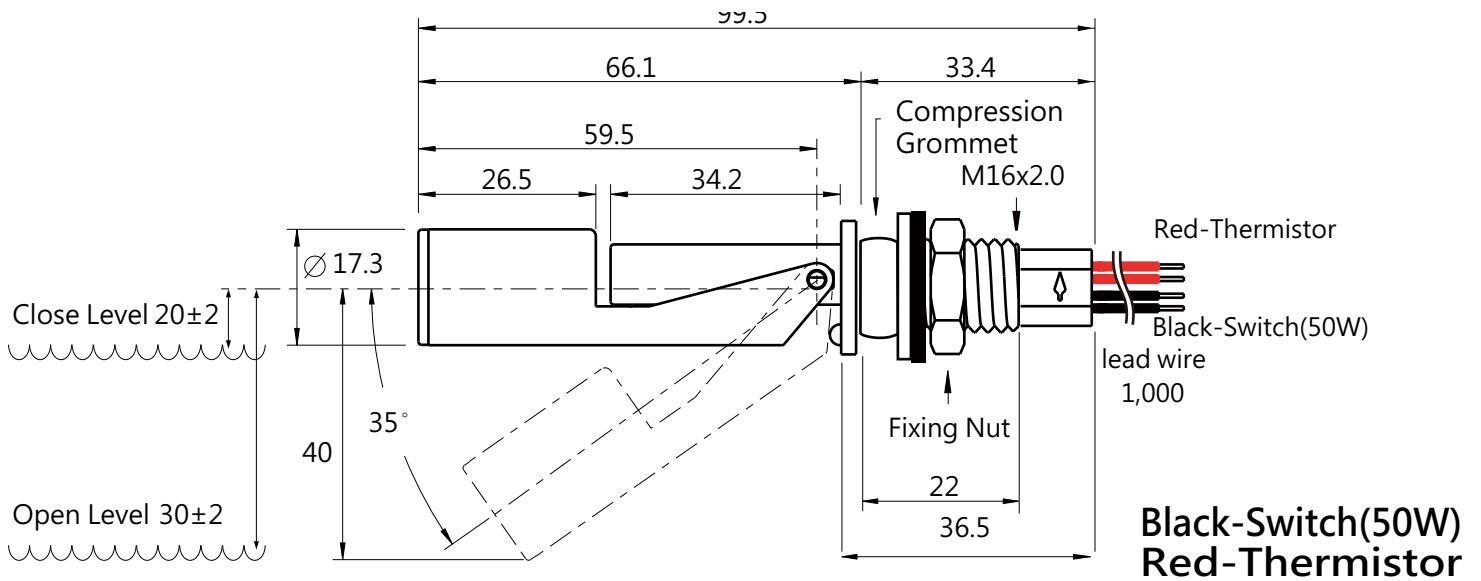
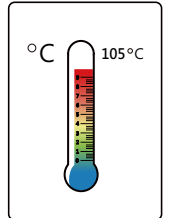
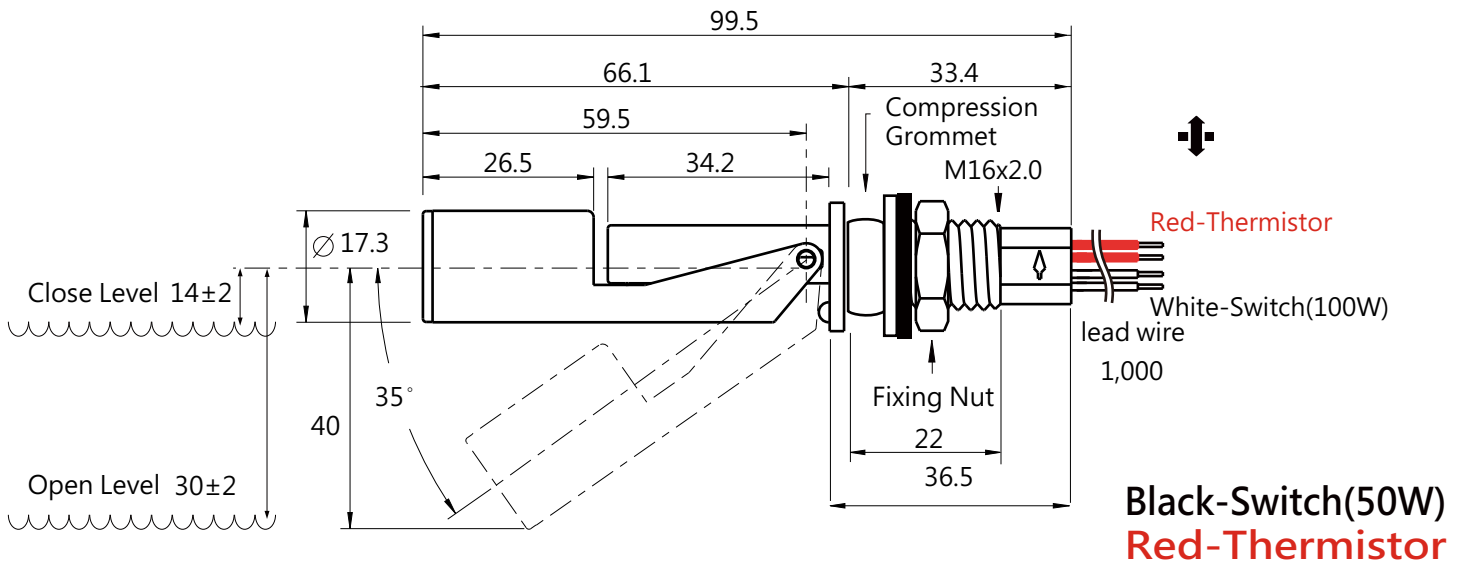
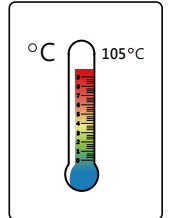


# LKF-R6710-AT



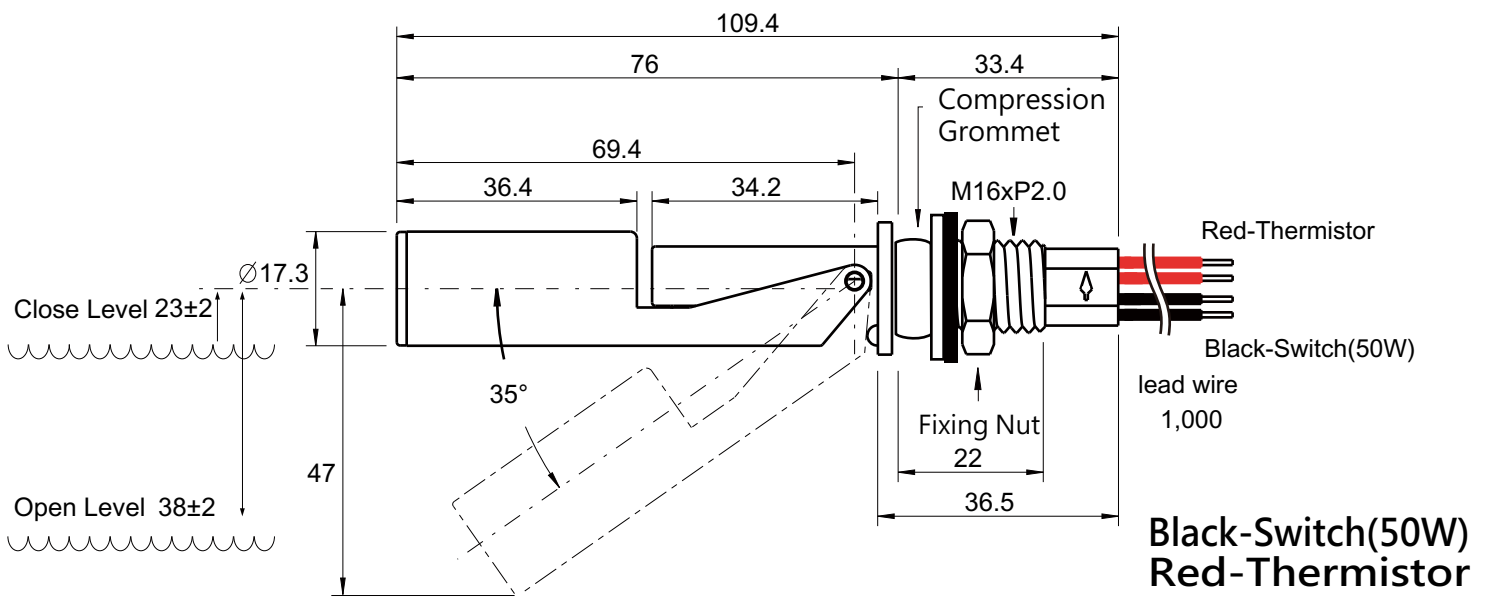
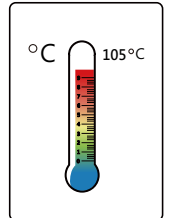
LKP-R6710-AT	
Mounting Style	Universal In/External Fitting
Mounting Thread	M16 x P2.0
Float & Stem Material	PVDF (Polyvinylidene Fluoride)
Maximum Temperature	-20°C To +105°C
Maximum Pressure	10 bar
Float S.G.	0.7
Minimum Fluid S.G.	0.8
Contact Form	SPST
Switching Power Max. W/VA	50W
Switching Voltage AC Max. Vac	240Vac
Switching Voltage DC Max. Vdc	200Vdc
Switching Current Max. A	0.5
Electrical Termination	UL 1332 AWG 22 XLPE Lead Wire 1 M
Nominal Temperature Resistance	10k Ohm at 25°C
Resistance Tolerance	$\pm 1^\circ\text{C}$ (25°C) To $\pm 4.3\%$ (120°C)
Operating Temperature Range	-20% To +120°C
Temperature sensing Accuracy	$\pm 0.2^\circ\text{C}$ (0°C To +70°C)
Beta Value	3,892K (0/50°C)
Response Time	< 1 Sec.
Dissipation Constant	

# LKF-R6710-BT



LKP-R6710-BT	
Mounting Style	Universal In/External Fitting
Mounting Thread	M16 x P2.0
Float & Stem Material	PVDF (Polyvinylidene Fluoride)
Maximum Temperature	-20°C To +105°C
Maximum Pressure	10 bar
Float S.G.	0.7
Minimum Fluid S.G.	0.8
Contact Form	SPST
Switching Power Max. W/VA	100W
Switching Voltage AC Max. Vac	300Vac
Switching Voltage DC Max. Vdc	300Vdc
Switching Current Max. A	0.5
Electrical Termination	UL 1332AWG 22 XLPE Lead Wire 1 M
Nominal Temperature Resistance	10k Ohm at 25°C
Resistance Tolerance	± 1°C(25°C) To ± 4.3% (120°C)
Operating Temperature Range	-20% To +120°C
Temperature sensing Accuracy	± 0.2°C(0°C To +70°C)
Beta Value	3,892K (0/50°C)
Response Time	< 1 Sec.
Dissipation Constant	

# LKF-R6720-AT



## LKP-R6720-AT

Mounting Style	Universal In/External Fitting
Mounting Thread	M16 x P2.0
Float & Stem Material	PVDF (Polyvinylidene Fluoride)
Maximum Temperature	-20°C To +105°C
Maximum Pressure	10 bar
Float S.G.	0.7
Minimum Fluid S.G.	0.8
Contact Form	SPST
Switching Power Max. W/VA	50W
Switching Voltage AC Max. Vac	240Vac
Switching Voltage DC Max. Vdc	200Vdc
Switching Current Max. A	0.5
Electrical Termination	UL 1332 AWG 22 XLPE Lead Wire 1 M
Nominal Temperature Resistance	10k Ohm at 25°C
Resistance Tolerance	± 1°C(25°C) To ± 4.3% (120°C)
Operating Temperature Range	-20% To +120°C
Temperature sensing Accuracy	± 0.2°C(0°C To +70°C)
Beta Value	3,892K (0/50°C)
Response Time	< 1 Sec.
Dissipation Constant	