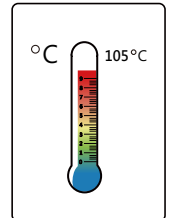
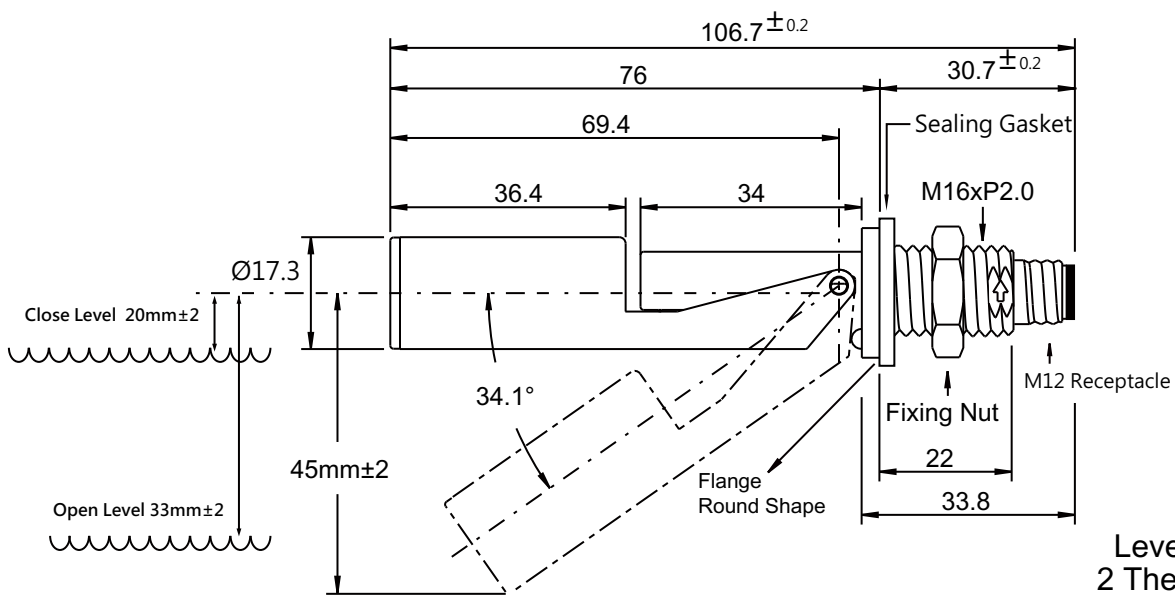
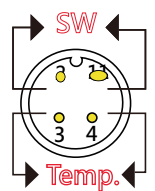


LKF-M6720-BT



Level



Level Switch Pin 1 & 2
Thermistor Pin 3 & 4

LKP-M6720-BT

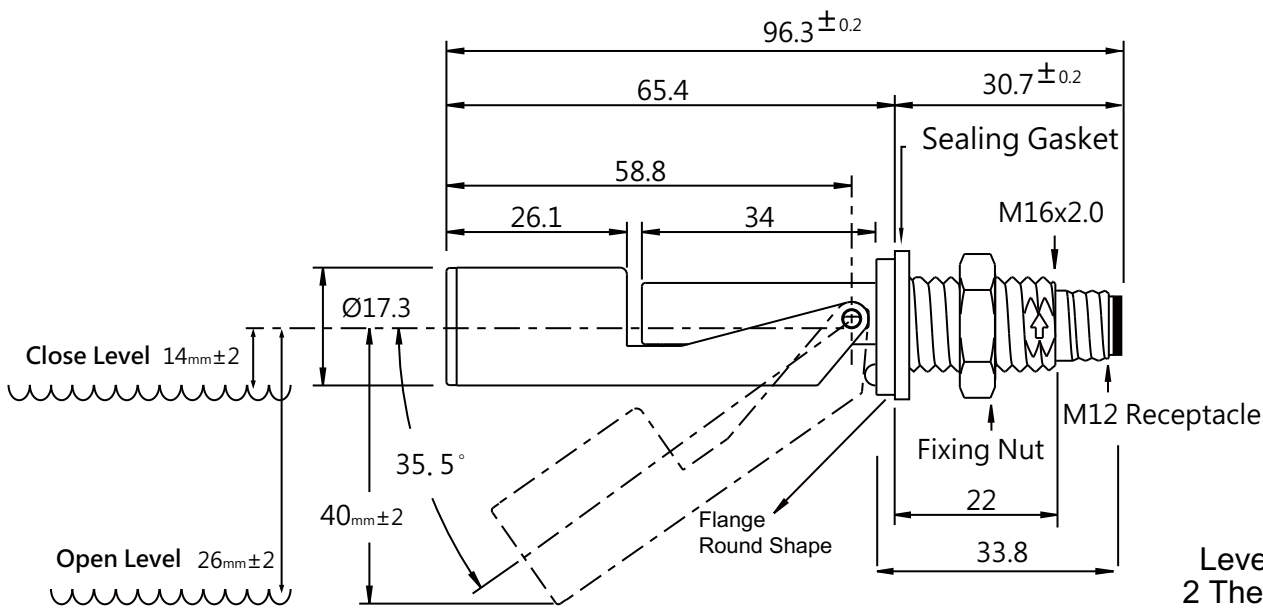
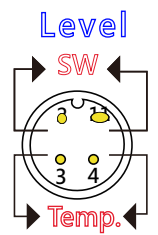
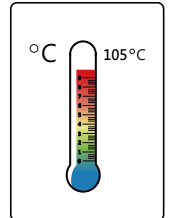
Level Switch :

Mounting Thread	M16/M12 Receptacle/Universal In/External Fitting
Float & Stem Material	PVDF (Polyvinylidene Fluoride)
Maximum Temperature	-20°C To +105°C
Maximum Pressure	10 bar
Float S.G.	0.7
Minimum Fluid S.G.	0.8
Contact Form	SPST
Switching Power Max. W/VA	100W
Switching Voltage AC /DC : Max. Vac/Vdc	300Vac/300Vdc
Switching Current Max. A	0.5
Electrical Termination	M12 Receptacle

Temperature Sensor :

	NTC Thermistor Technology
Nominal Temperature Resistance	10k Ohm at 25°C
Resistance Tolerance	± 1°C(25°C) To ± 4.3% (120°C)
Operating Temperature Range	-20% To +120°C
Temperature sensing Accuracy	± 0.2°C(0°C To +70°C)
Beta Value	3,892K (0/50°C)
Response Time	< 1 Sec.
Dissipation Constant	

LKF-M6710-BT

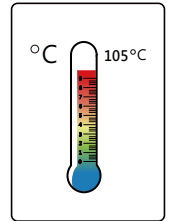


Level Switch Pin 1 & 2
Thermistor Pin 3 & 4

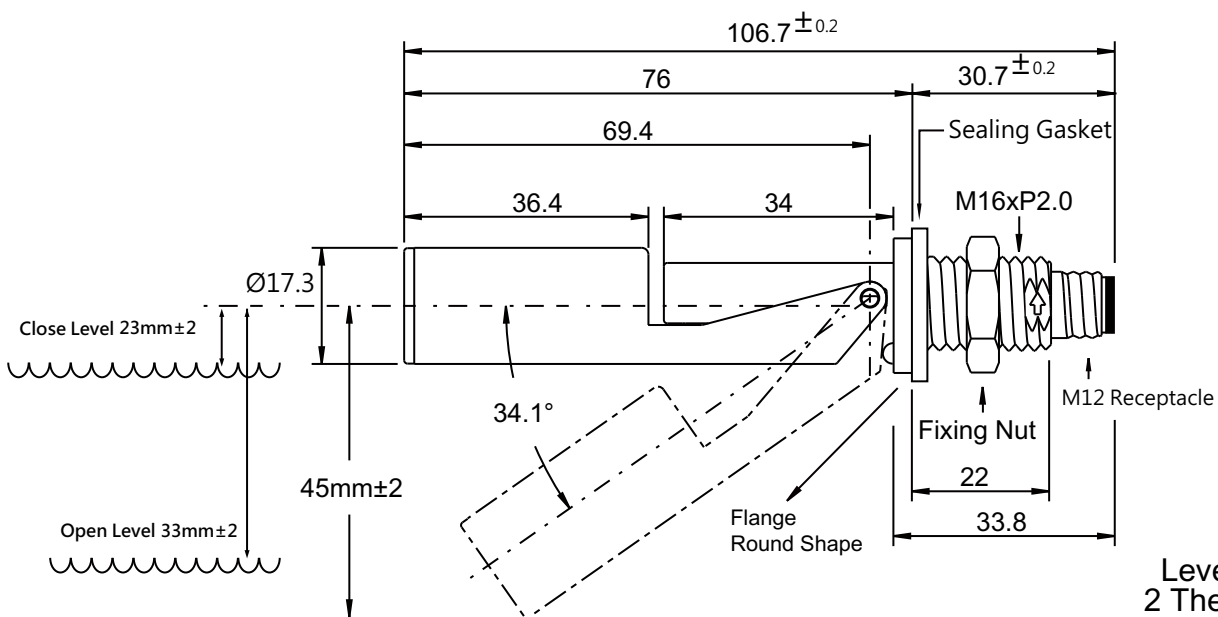
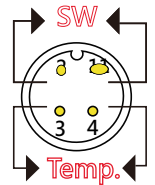
LFLKP-M6710-BS-01H T

Level Switch :	
Mounting Thread	M16/M12 Receptacle/Universal In/External Fitting
Float & Stem Material	PVDF (Polyvinylidene Fluoride)
Maximum Temperature	-20°C To +105°C
Maximum Pressure	10 bar
Float S.G.	0.7
Minimum Fluid S.G.	0.8
Contact Form	SPST
Switching Power Max. W/VA	100W
Switching Voltage AC /DC : Max. Vac/Vdc	300Vac/300Vdc
Switching Current Max. A	0.5
Electrical Termination	M12 Receptacle
Temperature Sensor :	NTC Thermistor Technology
Nominal Temperature Resistance	10k Ohm at 25°C
Resistance Tolerance	± 1°C(25°C) To ± 4.3% (120°C)
Operating Temperature Range	-20% To +120°C
Temperature sensing Accuracy	± 0.2°C(0°C To +70°C)
Beta Value	3,892K (0/50°C)
Response Time	< 1 Sec.
Dissipation Constant	

LKF-M6720-AT



Level

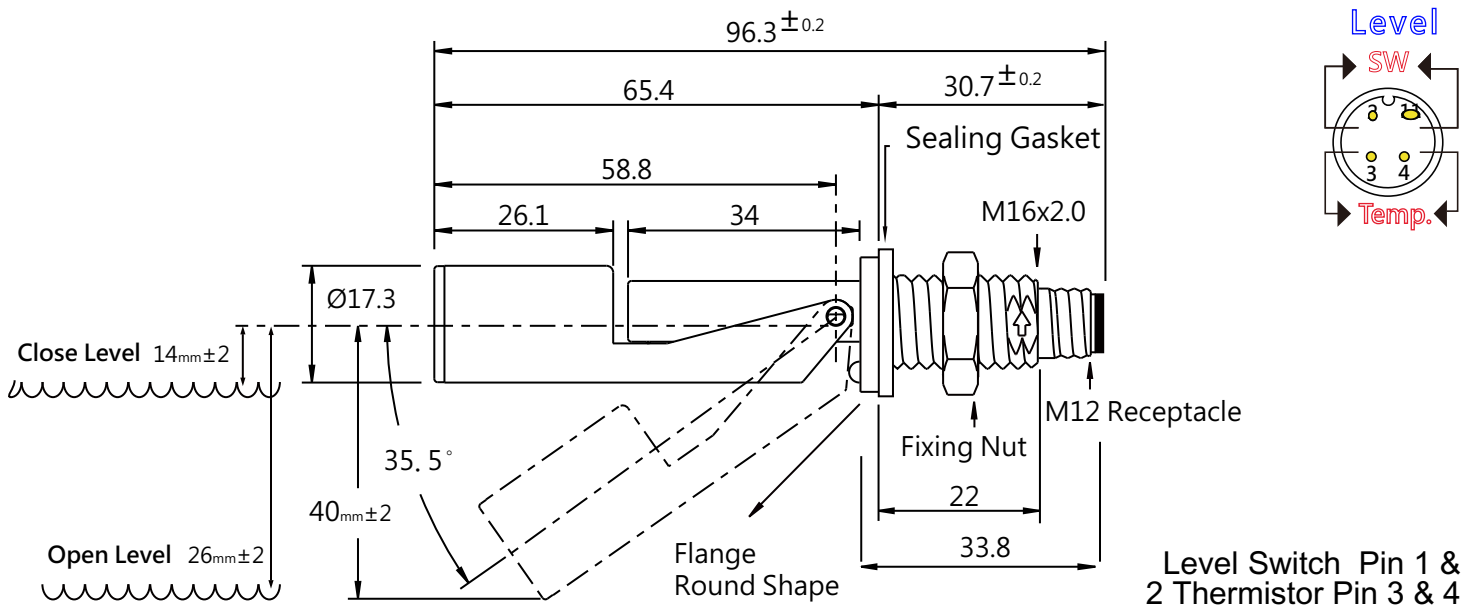
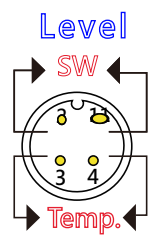
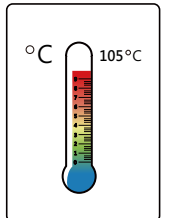


Level Switch Pin 1 & 2
Thermistor Pin 3 & 4

LF LKP-M6720-AS-01H T

Level Switch :	
Mounting Thread	M16/M12 Receptacle/Universal In/External Fitting
Float & Stem Material	PVDF (Polyvinylidene Fluoride)
Maximum Temperature	-20°C To +105°C
Maximum Pressure	10 bar
Float S.G.	0.7
Minimum Fluid S.G.	0.8
Contact Form	SPST
Switching Power Max. W/VA	50W
Switching Voltage AC /DC : Max. Vac/Vdc	240Vac/200Vdc
Switching Current Max. A	0.5
Electrical Termination	M12 Receptacle
Temperature Sensor :	NTC Thermistor Technology
Nominal Temperature Resistance	10k Ohm at 25°C
Resistance Tolerance	± 1°C(25°C) To ± 4.3% (120°C)
Operating Temperature Range	-20% To +120°C
Temperature sensing Accuracy	± 0.2°C(0°C To +70°C)
Beta Value	3,892K (0/50°C)
Response Time	< 1 Sec.
Dissipation Constant	

LKF-M6710-AT



LF LKP-M6710-AS-01H T

Level Switch :	
Mounting Thread	M16/M12 Receptacle/Universal In/External Fitting
Float & Stem Material	PVDF (Polyvinylidene Fluoride)
Maximum Temperature	-20°C To +105°C
Maximum Pressure	10 bar
Float S.G.	0.7
Minimum Fluid S.G.	0.8
Contact Form	SPST
Switching Power Max. W/VA	50W
Switching Voltage AC /DC : Max. Vac/Vdc	240Vac/200Vdc
Switching Current Max. A	0.5
Electrical Termination	M12 Receptacle
Temperature Sensor :	
	NTC Thermistor Technology
Nominal Temperature Resistance	10k Ohm at 25°C
Resistance Tolerance	$\pm 1^\circ\text{C}(25^\circ\text{C})$ To $\pm 4.3\%$ (120°C)
Operating Temperature Range	-20% To +120°C
Temperature sensing Accuracy	$\pm 0.2^\circ\text{C}(0^\circ\text{C To } +70^\circ\text{C})$
Beta Value	3,892K (0/50°C)
Response Time	< 1 Sec.
Dissipation Constant	