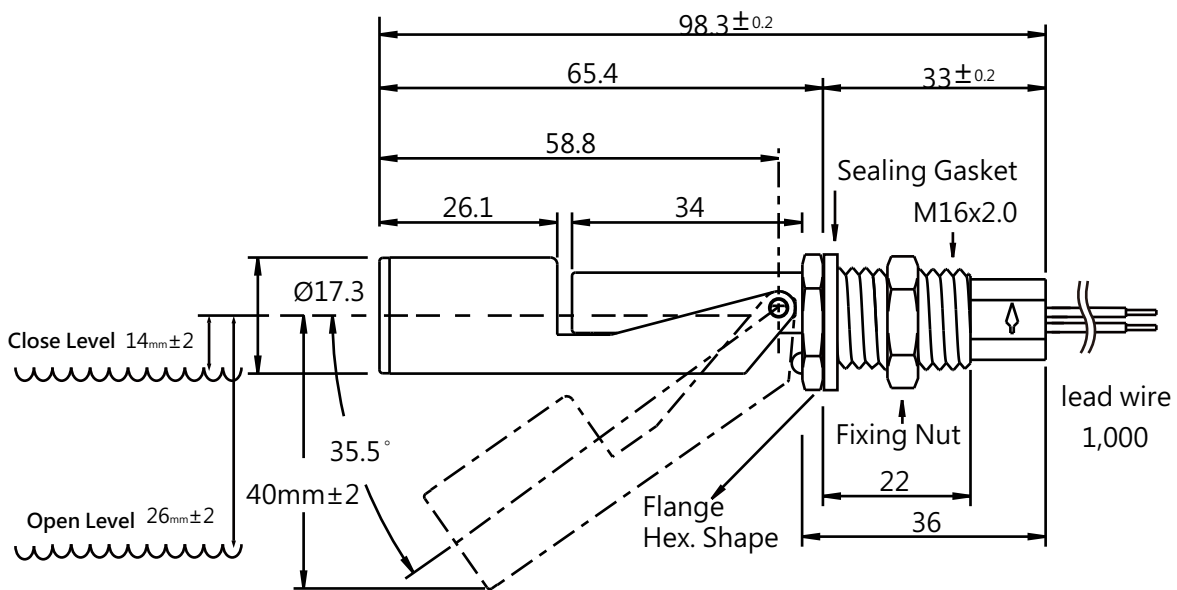


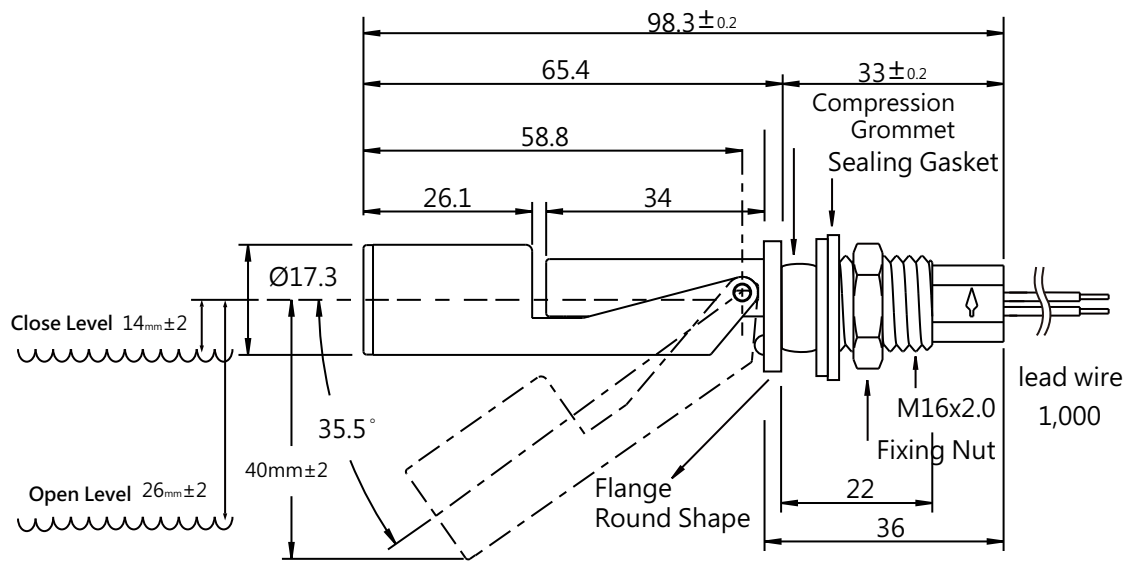
# LKF-H6710-B



LK LFP-H6S-01H710-B

Mounting Style	Internal Fitting
Mounting thread	M16 x P2.0
stem	PVDF (Polyvinylidene Fluoride)
Float	PVDF, $\text{Ø}17 \times 26.5$
Operation Temp.	$-20^\circ\text{C}$ To $+105^\circ\text{C}$
Max.Pressure	5 bar
Float S.G.	0.8
Mini.Fluid S.G.	0.85
Contact Form	SPST
Switch Rating VA	100W
Switching Voltage Max.	300Vac/300Vdc
Switching Current Max.	0.5
Carry Current Max.	1A
Lead Wires	UL 3266 AWG 22/XLPE Lead Wire 1 M

# LKF-R6710-B



100W Wire Identify Code: White Color

LK LFP-R6S-01H710-B	
Mounting Style	Universal In/External Fitting
Mounting thread	M16 x P2.0
stem	PVDF (Polyvinylidene Fluoride)
Float	PVDF, Ø17X26.5
Operation Temp.	-20°C To +105°C
Max.Pressure	5 bar
Float S.G.	0.8
Mini.Fluid S.G.	0.85
Contact Form	SPST
Switch Rating VA	100W
Switching Voltage Max.	300Vac/300Vdc
Switching Current Max.	0.5
Carry Current Max.	1A
Lead Wires	UL 3266 AWG 22/XLPE Lead Wire 1 M