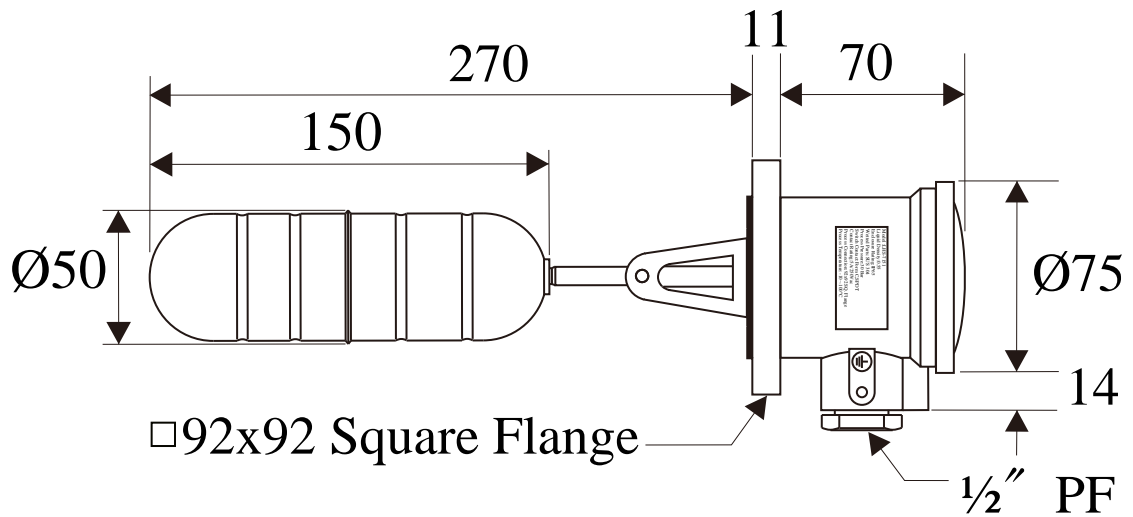
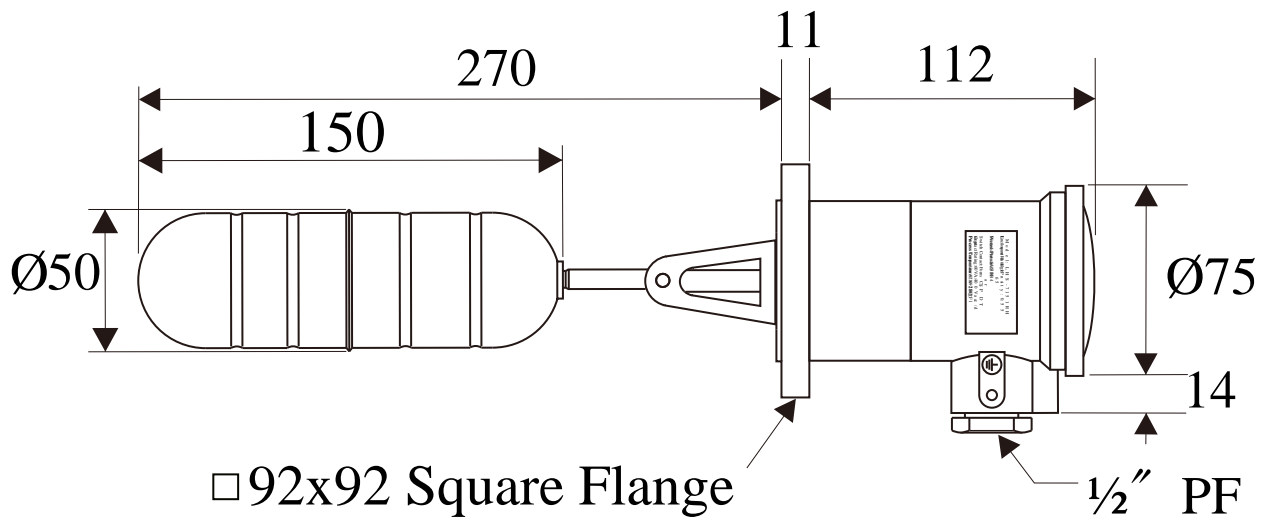
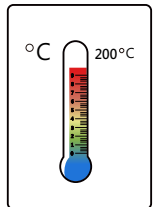


LHS-7151



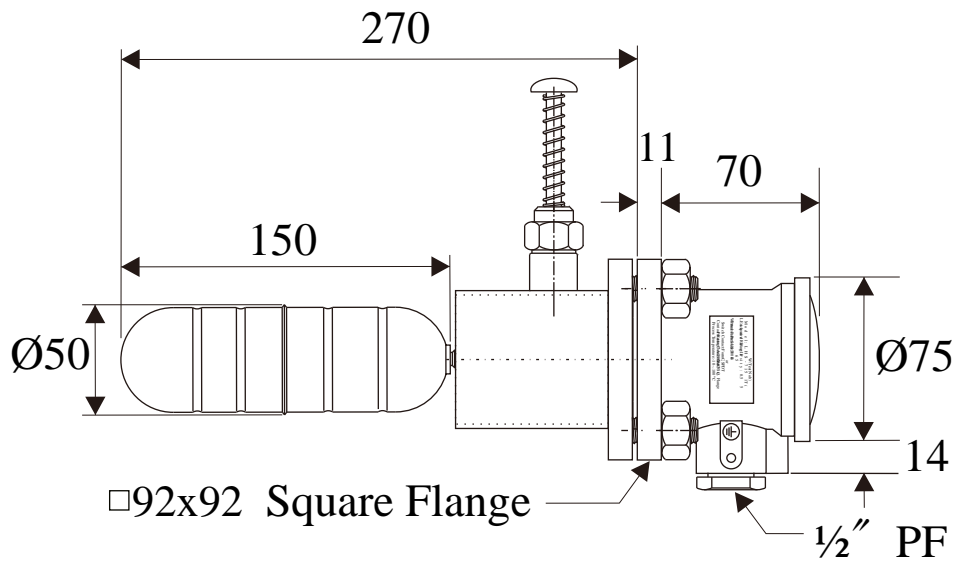
LHS-7151	
Process Connection	□ 92x92 Square Flange
Float Dimension & Material	Ø50x150 , SUS 316
Float Specific Gravity(S. G.)	0.55
Process Pressure Maxi.	30 Bar
Switch Contact & Contact Rating	Form C,SPDT,5A/250Vac
Process Operation Temperature	-10°C ~ 100°C
Material of Wetted Parts	SUS 304
Enclosure Rating (IP)	Aluminun/IP 65

LHS-7151RH



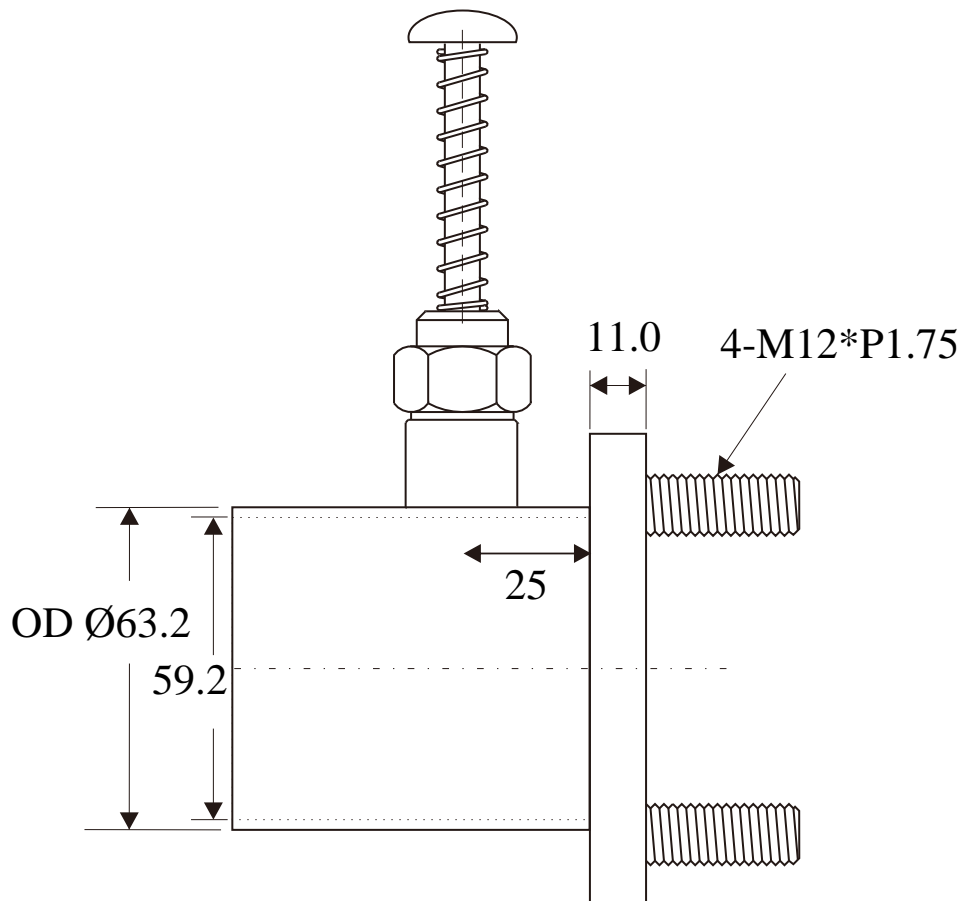
LFS-01H LHS-7151RH	
Process Connection	\square 92x92 Square Flange
Float Dimension & Material	\varnothing 50x150 , SUS 316
Float Specific Gravity(S. G.)	0.55
Process Pressure Maxi.	30 Bar
Switch Contact & Contact Rating	Form C,SPDT,60VA/400Vac/dc
Process Operation Temperature	-10°C ~ 200°C
Material of Wetted Parts	SUS 304
Enclosure Rating (IP)	Aluminun/IP 65

LHS-7151T



LFS-01HLHS-7151T	
Process Connection	\square 92x92 Square Flange
Float Dimension & Material	$\text{Ø}50 \times 150$, SUS 316
Float Specific Gravity(S. G.)	0.55
Process Pressure Maxi.	30 Bar
Switch Contact & Contact Rating	Form C,SPDT,5A/250Vac
Process Operation Temperature	-10°C ~ 100°C
Material of Wetted Parts	SUS 304
Enclosure Rating (IP)	Aluminun/IP65

LHS-LHA-9211



Material:SUS 304

LHA-9211 Test Nob Applied For LHS
7151 Series