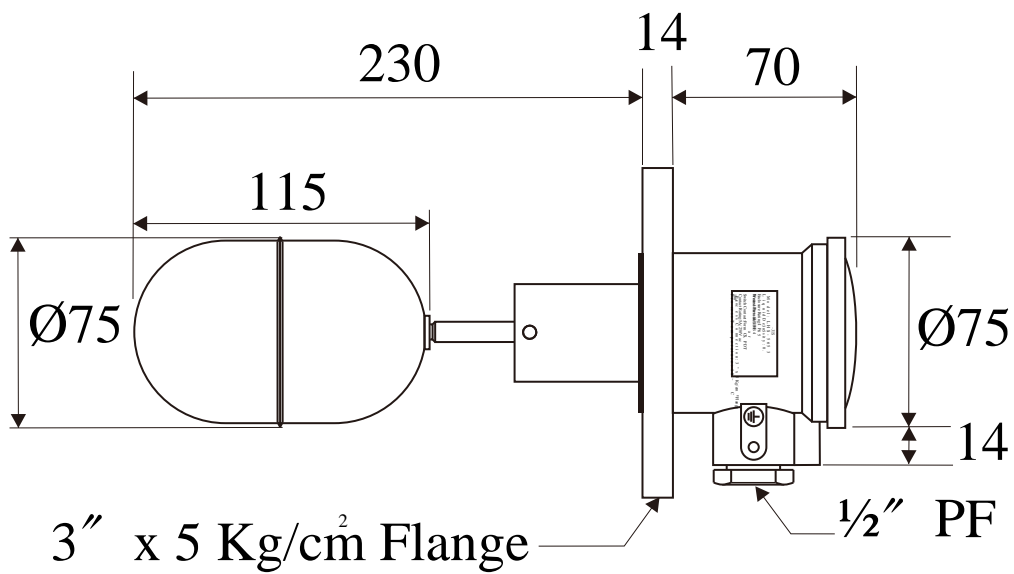
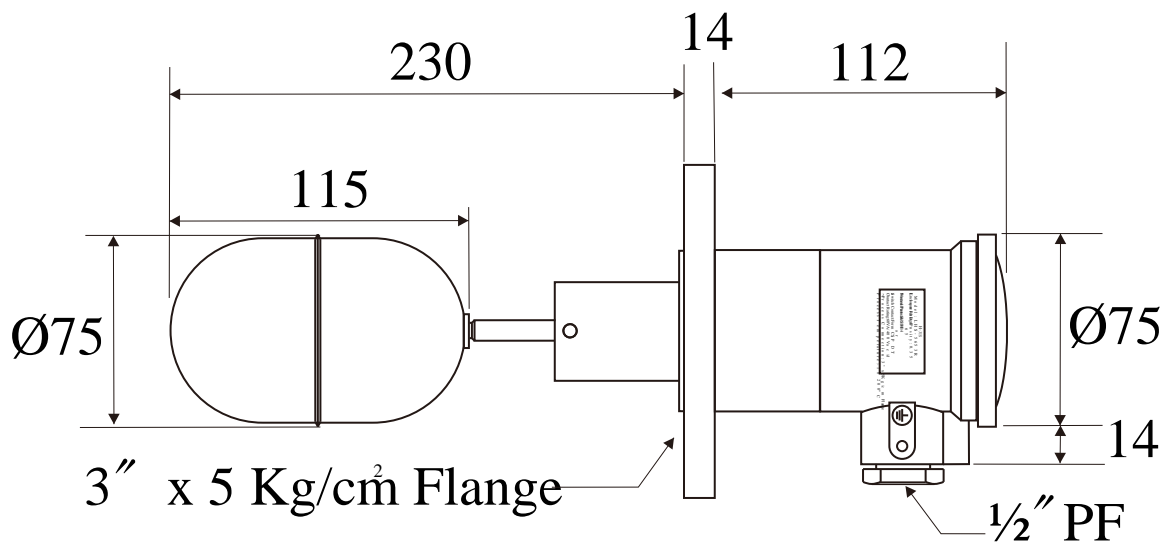
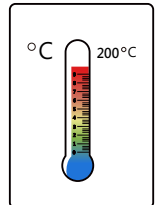
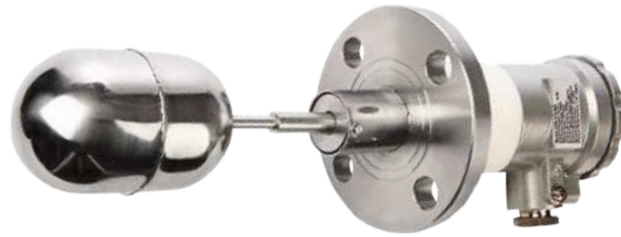


LHS-5653-JIS



JIS	
LFLHS-5653 ^{S-01H} -JIS	
Process Connection	3" x 5 Kg/cm ² Flange
Float Dimension & Material	Ø75x115 , SUS 316
Float Specific Gravity(S. G.)	0.35
Process Pressure Maxi.	10 Bar
Switch Contact & Contact Rating	SPDT,5A /250Vac
Process Operation Temperature	-10°C ~ 100°C
Material of Wetted Parts	SUS 304
Enclosure Rating (IP)	Aluminun/IP 65

LHS-5653RH-JIS

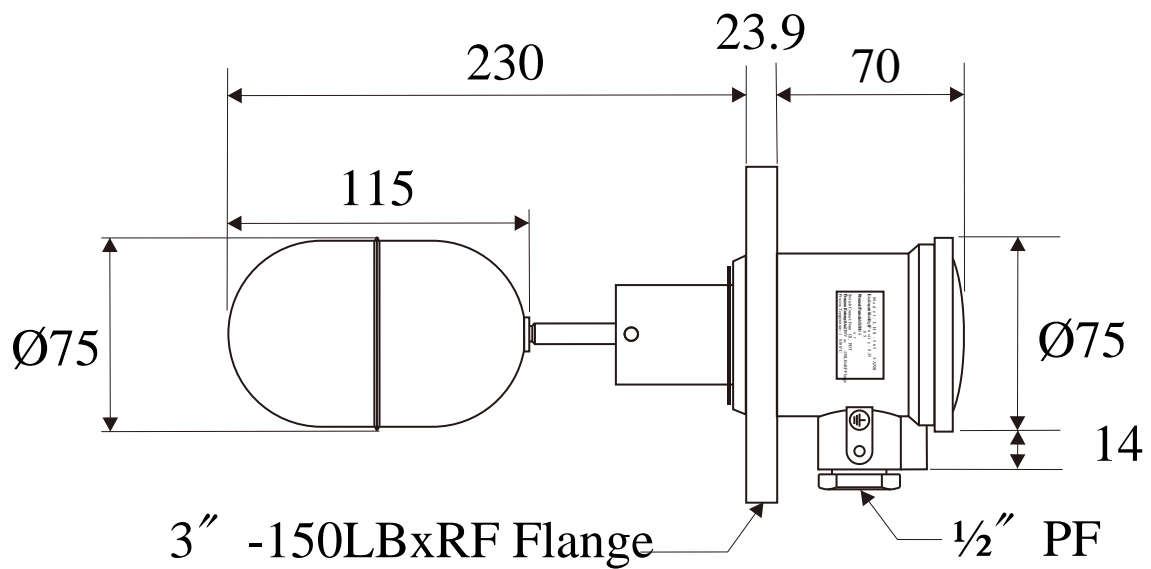
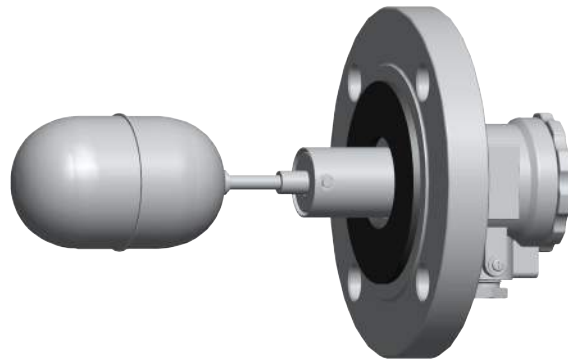


High Temperature

LHS-5653^{LFS-01}HRH-JIS

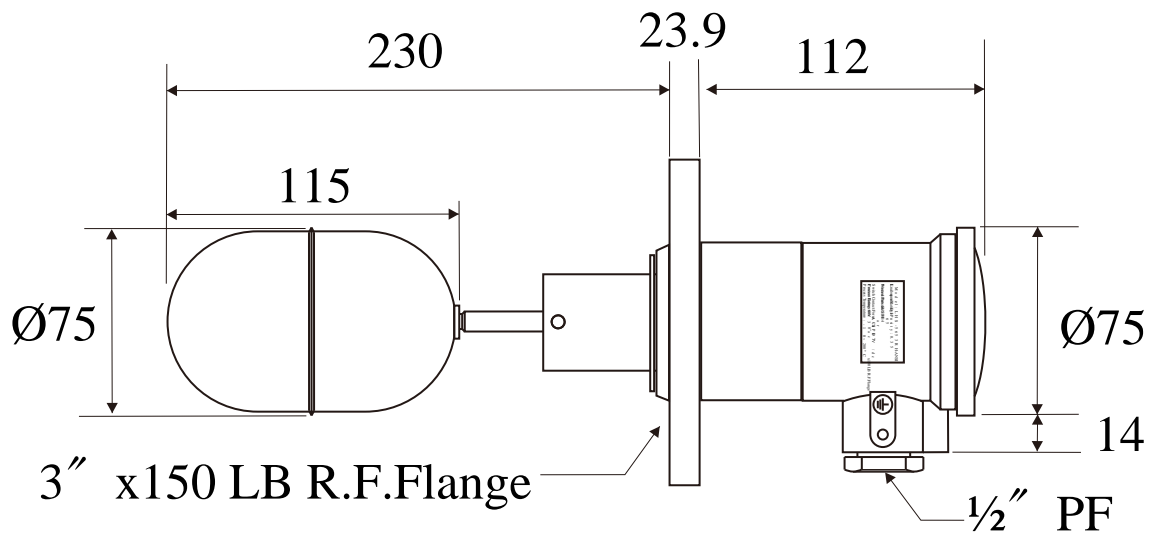
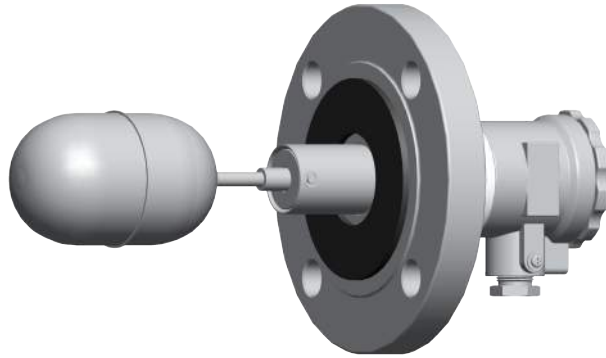
Process Connection	3" x 5 Kg/cm ² Flange
Float Dimension & Material	Ø75x115 , SUS 316
Float Specific Gravity(S. G.)	0.35
Process Pressure Maxi.	10 Bar
Switch Contact & Contact Rating	SPDT,5A /250Vac
Process Operation Temperature	-10°C ~ 100°C
Material of Wetted Parts	SUS 304
Enclosure Rating (IP)	Aluminun/IP 65

LHS-5653-ANSI



ANSI	
	LHS-5653 ^{LFS-01H} -ANSI
Process Connection	3" -150LBxRF Flange
Float Dimension & Material	Ø75x150 SU 316
Float Specific Gravity(S. G.)	0.35
Process Pressure Maxi.	10Bar
Switch Contact & Contact Rating	SPDT,5A/250Vac
Process Operation Temperature	-10°C ~ 100°C
Material of Wetted Parts	SUS 304
Enclosure Rating (IP)	Aluminun/IP65

LHS-5653RH-ANSI



ANSI	
	LHS-5653 ^{LFS-01} HRH-ANSI
Process Connection	3" x5Kg/cm ² Flange
Float Dimension & Material	Ø75x150 SU 316
Float Specific Gravity(S. G.)	0.35
Process Pressure Maxi.	10Bar
Switch Contact & Contact Rating	SPDT,60VA/400Vac/dc
Process Operation Temperature	-10°C ~ 200°C
Material of Wetted Parts	SUS 304
Enclosure Rating (IP)	Aluminun/IP 65