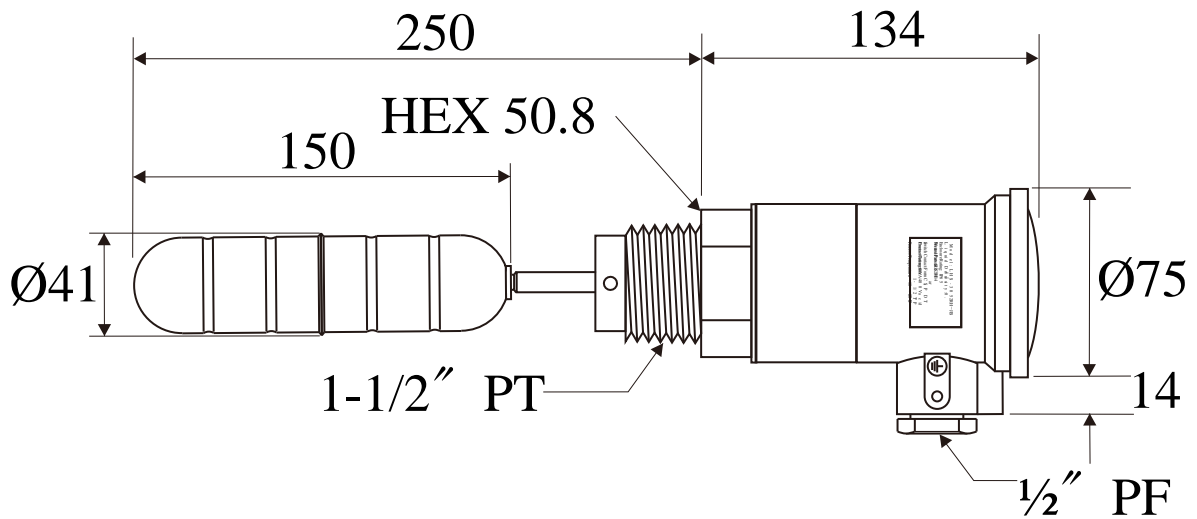
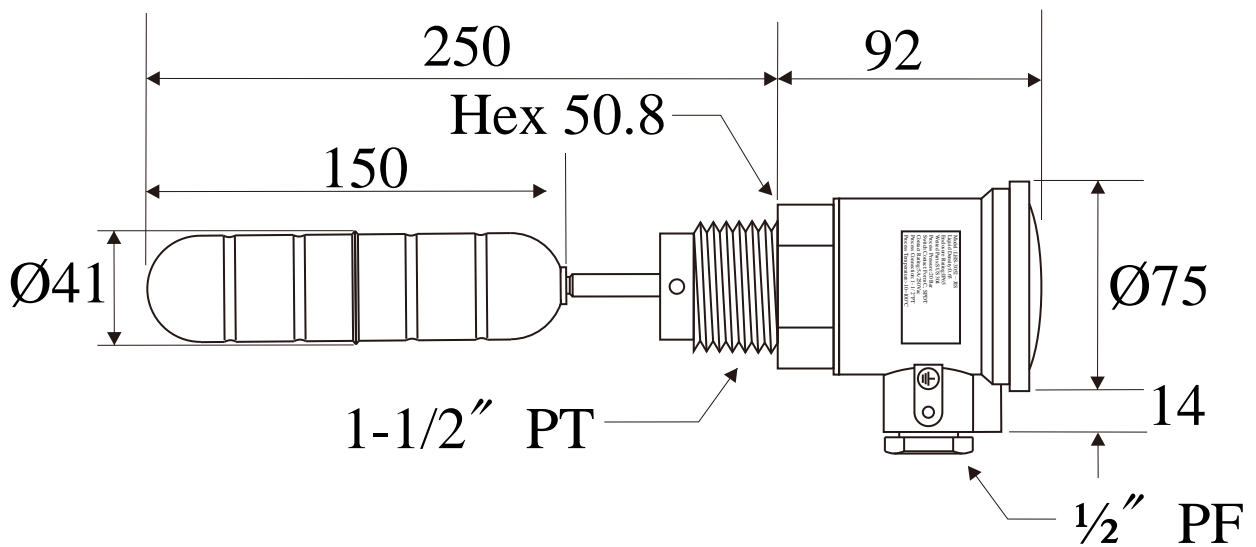


LHS-3052RH-JIS



JIS	
	LHS-3052RH-JIS
Process Connection	1-1/2" PT - JIS Plug
Float Dimension & Material	Ø41x150,SUS 316
Float Specific Gravity(S. G.)	0.65
Process Pressure Maxi.	20 Bar
Switch Contact & Contact Rating	SPDT,60VA/400Vac/dc
Process Operation Temperature	-10°C ~ 200°C
Material of Wetted Parts	SUS 304
Enclosure Rating (IP)	Aluminun/IP 65

LHS-3052-JIS

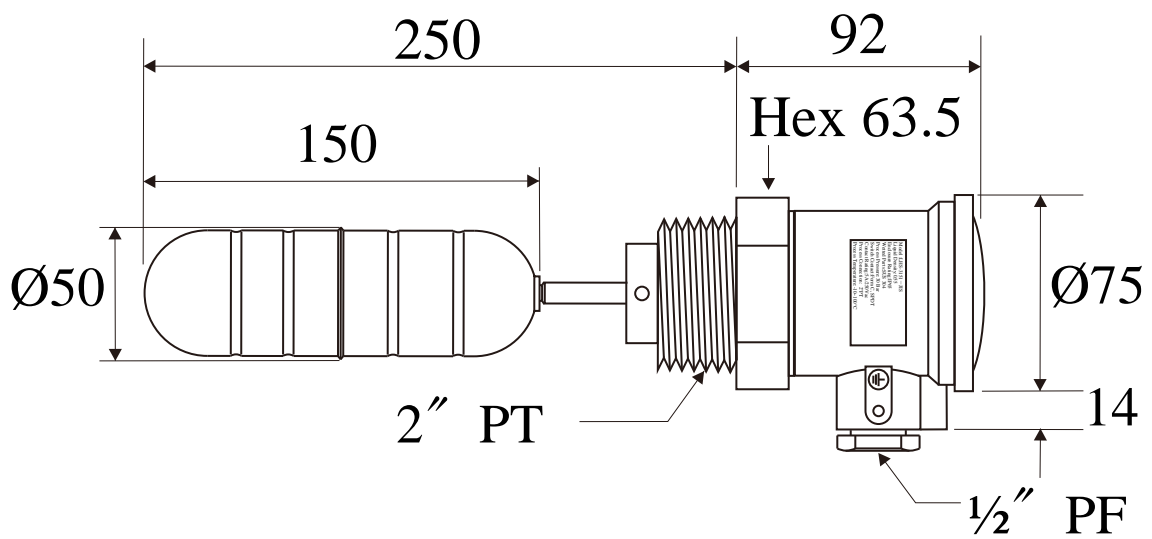


JIS

LHS-3052-JIS

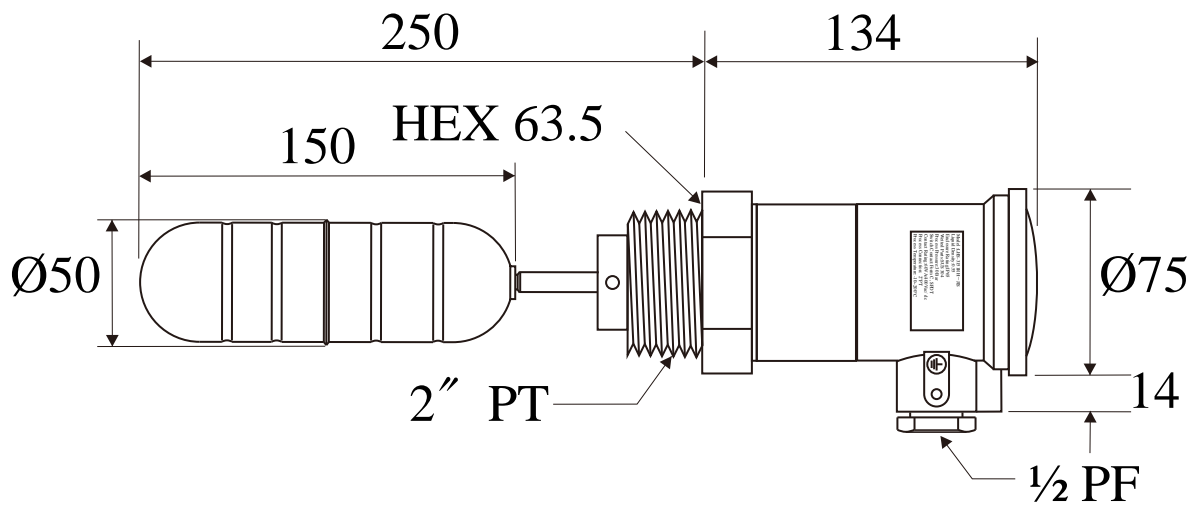
Process Connection	1-1/2" PT - JIS Plug
Float Dimension & Material	Ø41x150,SUS 316
Float Specific Gravity(S. G.)	0.65
Process Pressure Maxi.	20 Bar
Switch Contact & Contact Rating	SPDT,5A/250Vac
Process Operation Temperature	-10°C ~ 100°C
Material of Wetted Parts	SUS 304
Enclosure Rating (IP)	Aluminun/IP65

LHS-3151-JIS



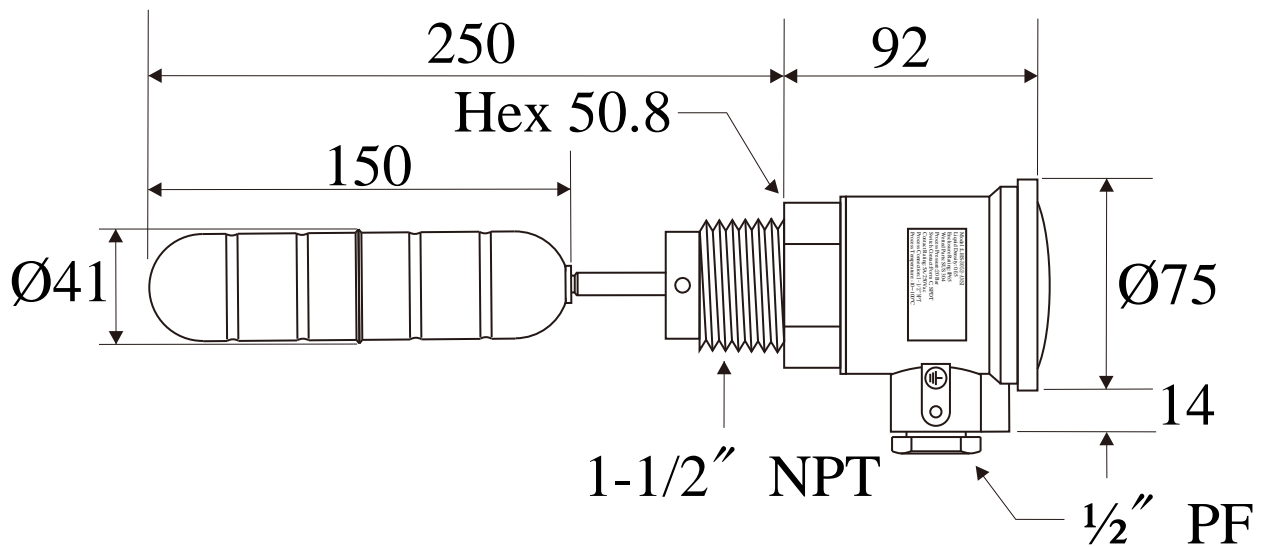
JIS	
	LHS-3151-JIS
Process Connection	2" PT - JIS Plug
Float Dimension & Material	$\text{Ø}50 \times 150$, SUS 316
Float Specific Gravity(S. G.)	0.55
Process Pressure Maxi.	30 Bar
Switch Contact & Contact Rating	SPDT, 5A / 250Vac
Process Operation Temperature	-10°C ~ 100°C
Material of Wetted Parts	SUS 304
Enclosure Rating (IP)	Aluminum/IP 65

LHS-3151RH - JIS



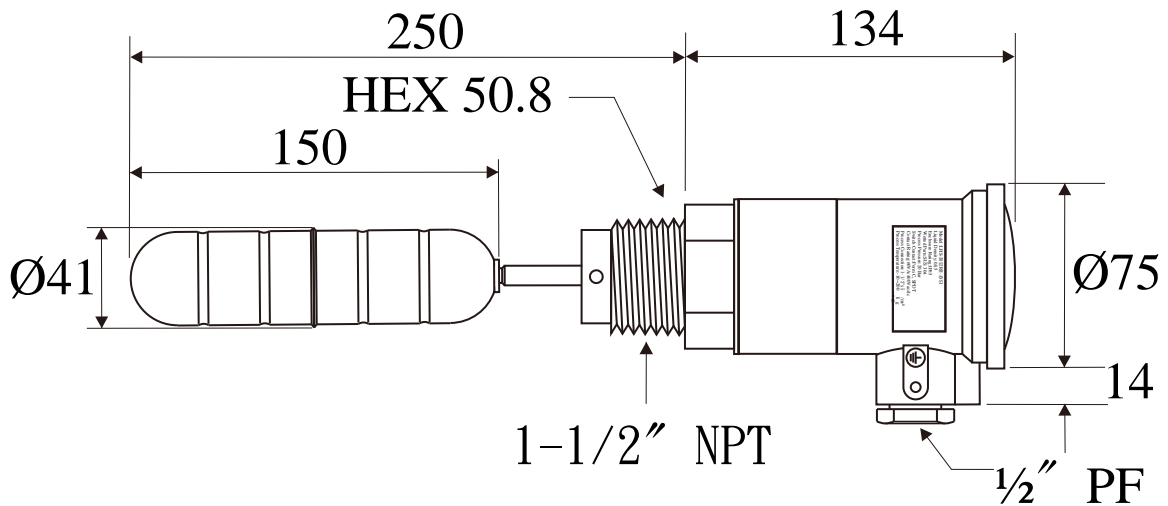
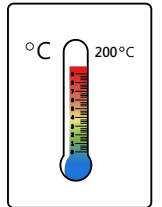
JIS	
	LHS-3151RH-JIS
Process Connection	2" PT - JIS Plug
Float Dimension & Material	Ø50x150,SUS 316
Float Specific Gravity(S. G.)	0.55
Process Pressure Maxi.	30 Bar
Switch Contact & Contact Rating	SPDT,60VA/400Vac/dc
Process Operation Temperature	-10°C ~ 200°C
Material of Wetted Parts	SUS 304
Enclosure Rating (IP)	Aluminun/IP 65

LHS-3052-ANSI



ANSI	
	LHS-3052-ANSI
Process Connection	1-1/2" NPT Plug
Float Dimension & Material	Ø41x150,SUS 316
Float Specific Gravity(S. G.)	0.65
Process Pressure Maxi.	20 Bar
Switch Contact & Contact Rating	SPDT,5A/250Vac
Process Operation Temperature	-10°C ~ 100°C
Material of Wetted Parts	SUS 304
Enclosure Rating (IP)	Aluminun/IP 65

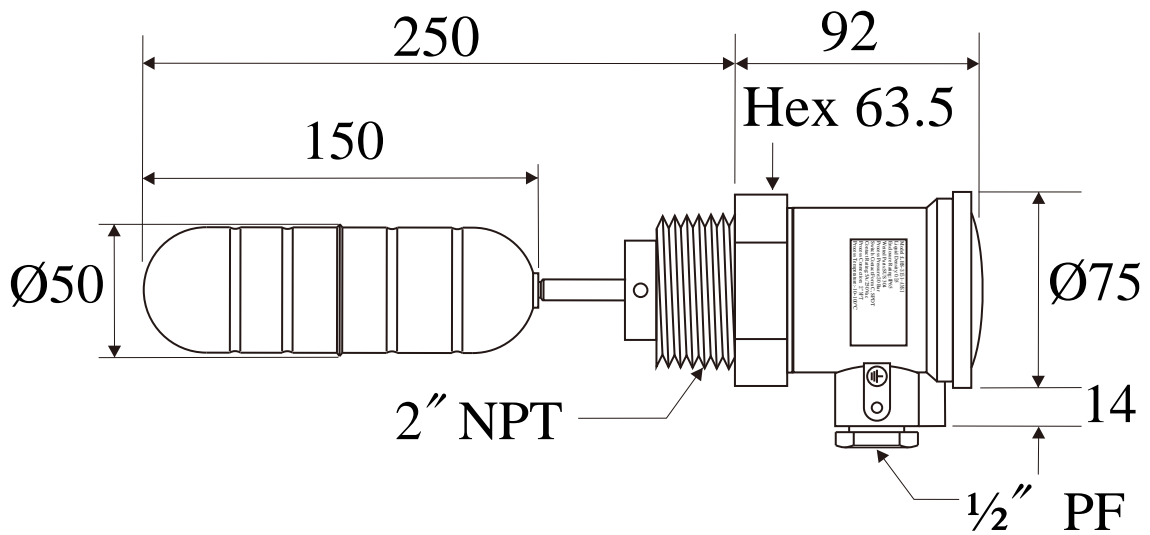
LHS-3052RH-ANSI



High Temperature

High Temperature	
	LHS-3052RH-ANSI
Process Connection	1-1/2" NPT Plug
Float Dimension & Material	$\text{Ø}41 \times 150$, SUS 316
Float Specific Gravity(S. G.)	0.65
Process Pressure Maxi.	20 Bar
Switch Contact & Contact Rating	SPDT, 60VA/400Vac/dc
Process Operation Temperature	-10°C ~ 200°C
Material of Wetted Parts	SUS 304
Enclosure Rating (IP)	Aluminun/IP 65

LHS-3151-ANSI



ANSI

LHS-3151-ANSI

Process Connection

2" NPT Plug

Float Dimension & Material

$\text{Ø}50 \times 150$, SUS 316

Float Specific Gravity(S. G.)

0.55

Process Pressure Maxi.

30 Bar

Switch Contact & Contact Rating

SPDT, 5A/250Vac

Process Operation Temperature

$-10^{\circ}\text{C} \sim 100^{\circ}\text{C}$

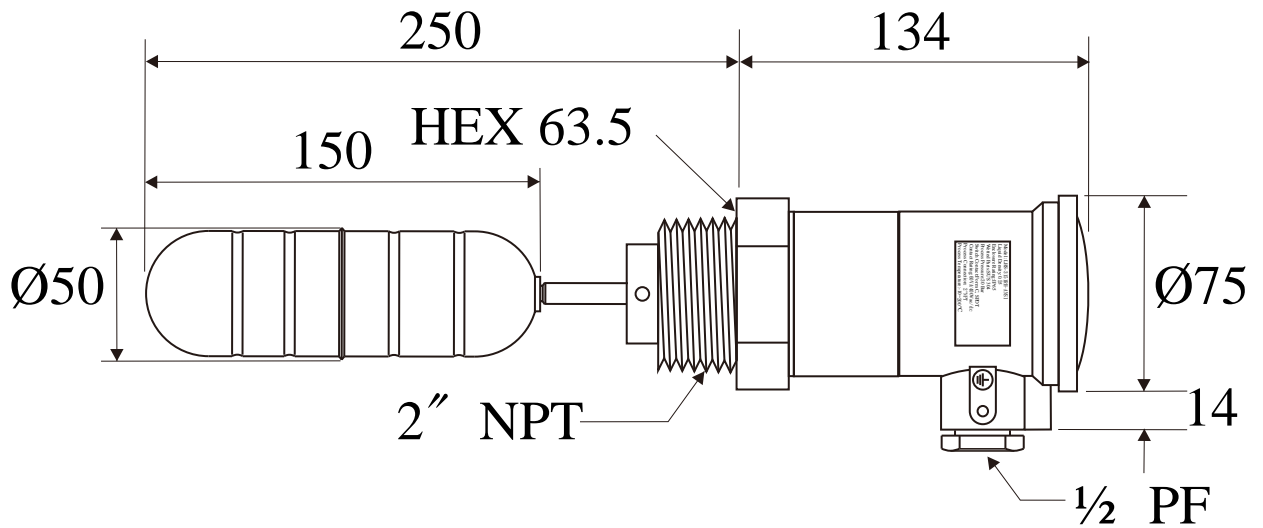
Material of Wetted Parts

SUS 304

Enclosure Rating (IP)

Aluminun/IP 65

LHS-3151RH-ANSI



ANSI	
	LHS-3151RH-ANSI
Process Connection	2" NPT Plug
Float Dimension & Material	Ø50x150,SUS 316
Float Specific Gravity(S. G.)	0.55
Process Pressure Maxi.	30 Bar
Switch Contact & Contact Rating	SPDT,60VA/400Vac/dc
Process Operation Temperature	-10°C ~ 200°C
Material of Wetted Parts	SUS 304
Enclosure Rating (IP)	Aluminun/IP 65