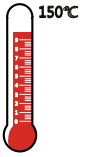
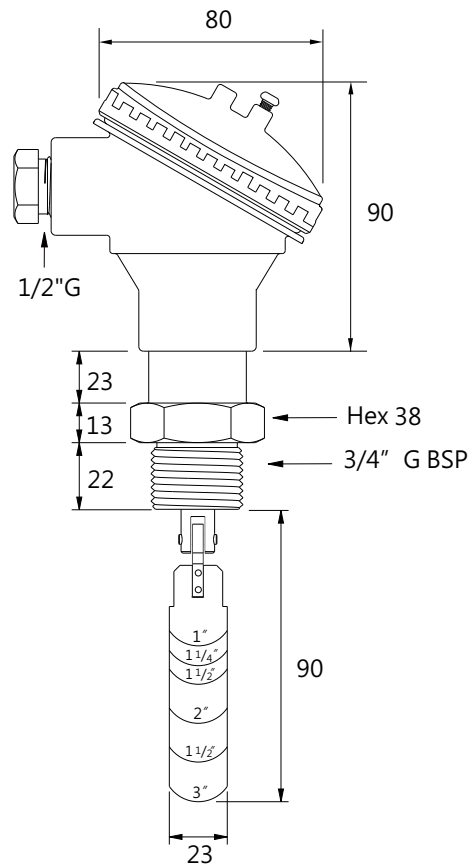


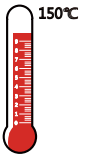
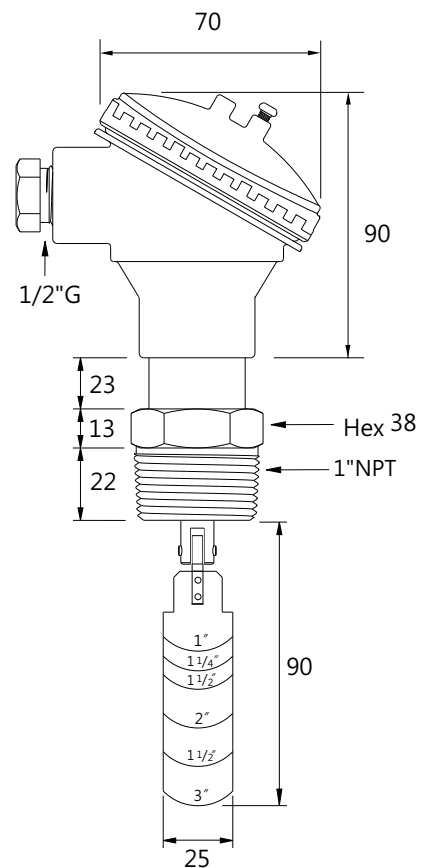
LFS-02H



High Temperature

LFS-02H	
Mounting Style	Top
Mounting Thread	3/4" G BSP
Contact Rating	60VA/400Vac/dc
Operating Pressure Maxi.	355 PSIG
Operating Temperature	-3°C ~ +150°C
Maximum Pressure Drop	3 PSIG
Switch Repeatability	±5%
Adjustment Accuracy	± 25%
Wetted Material	SUS 304
Housing Material	Aluminum/IP 65

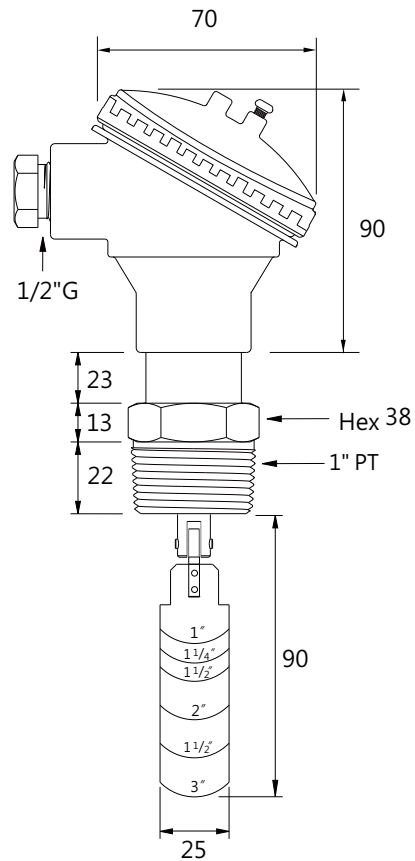
LFS-01H



High Temperature

LFS-01H	
Mounting Style	Top
Mounting Thread	1" NPT-ANSI
Contact Rating	60VA/400Vac/dc
Operating Pressure Maxi.	355 PSIG
Operating Temperature	-3°C ~ + 150°C
Maximum Pressure Drop	3 PSIG
Switch Repeatability	±5%
Adjustment Accuracy	± 25%
Wetted Material	SUS 304
Housing Material	Aluminum/IP 65

LFS-01TH



High Temperature

LFS-01TH	
Mounting Style	Top
Mounting Thread	1" PT-JIS
Contact Rating	60VA/400Vac/dc
Operating Pressure Maxi.	355 PSIG
Operating Temperature	-3°C ~ +150°C
Maximum Pressure Drop	3 PSIG
Switch Repeatability	±5%
Adjustment Accuracy	± 25%
Wetted Material	SUS 304
Housing Material	Aluminum/ IP 65