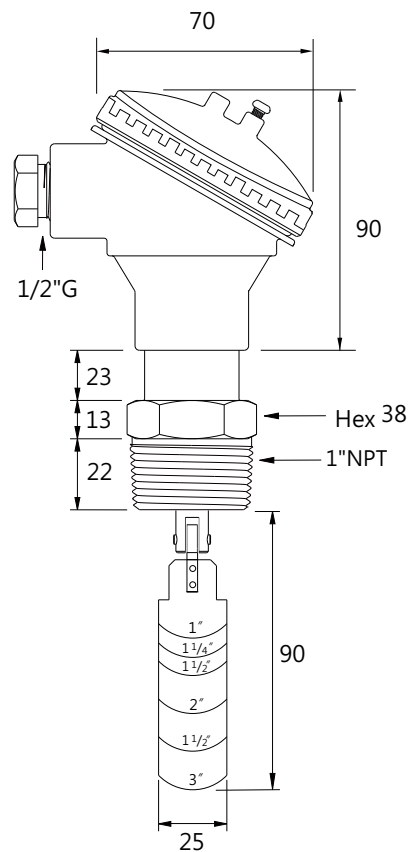


LFS-01



LFS-01	
Mounting Style	Top
Mounting Thread	1" NPT-ANSI
Contact Rating	60VA/400Vac/dc
Operating Pressure Maxi.	355 PSIG
Operating Temperature	-3°C ~ + 100°C
Maximum Pressure Drop	3 PSIG
Switch Repeatability	±5%
Adjustment Accuracy	± 25%
Wetted Material	SUS 304
Housing Material	Aluminum/ IP 65