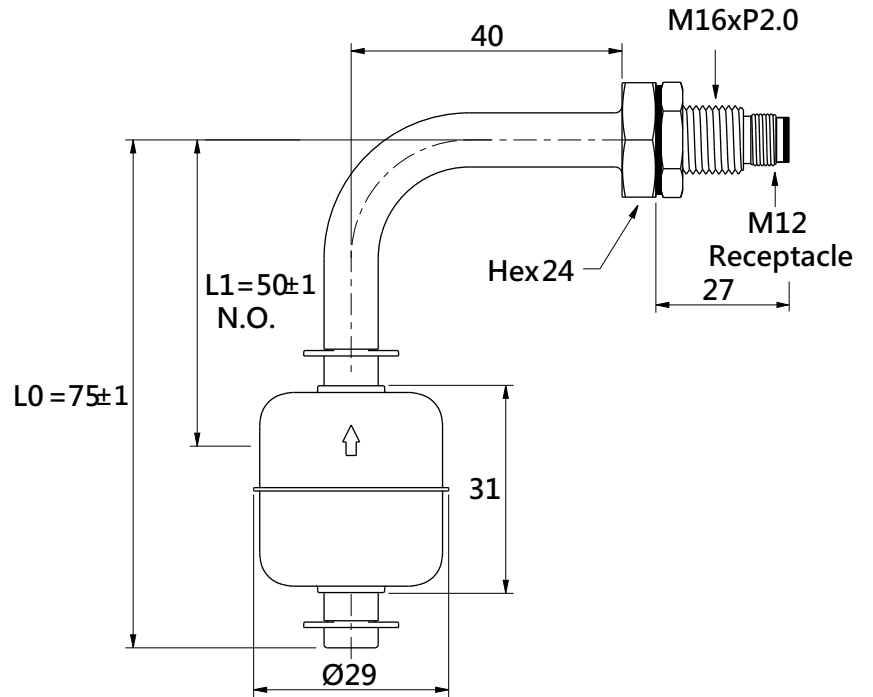
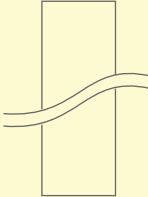
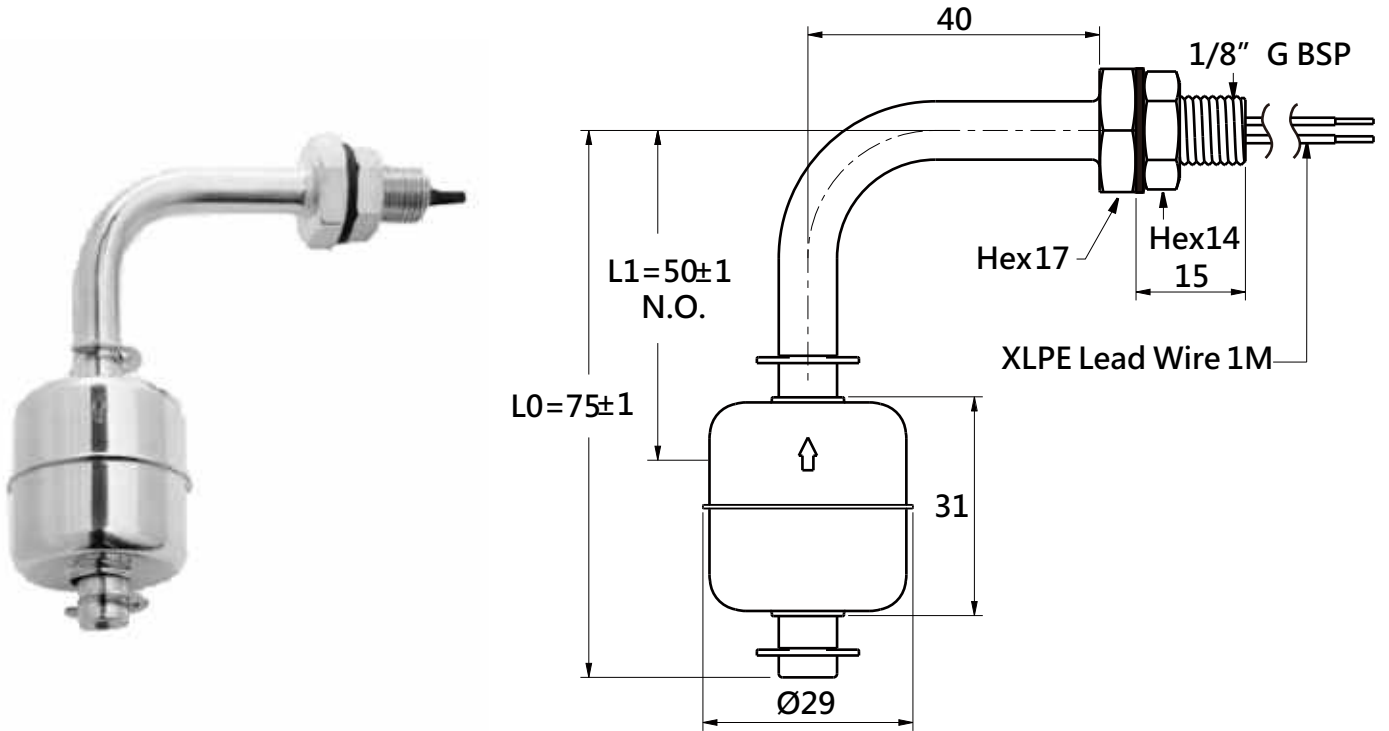


# LCN-5121-M12



LCN-5121-M12		
Mounting Style	Internal	Level Code
Mounting thread	M16xP2.0	L0=75
stem	SUS 316	L1=50 N.O.
Float	SUS 316L	 <p>Other Size As Requested</p>
Operation Temp.	-20°C To +120°C	
Max.Pressure	25 bar	
Float S.G.	0.7	
Mini.Fluid S.G.	0.8	
Contact Form	Float Reversible , SPST	
Switch Rating VA	50W	
Switching Voltage Max.	240Vac/200Vdc	
Switching Current Max.	0.5	
Carry Current Max.	1A	
Connection	M12 Receptacle	

# LCN-5121



LCN-5121		
Mounting Style	Internal	Level Code
Mounting thread	1/8" G BSP	L0=75
stem	SUS 316	L1=50 N.O.
Float	SUS 316L	
Operation Temp.	-20°C To +120°C	
Max.Pressure	25 bar	
Float S.G.	0.75	
Mini.Fluid S.G.	0.8	
Contact Form	Float Reversible , SPST	
Switch Rating VA	50W	
Switching Voltage Max.	240Vac/200Vdc	
Switching Current Max.	0.5	
Carry Current Max.	1A	
Lead Wires	UL 3266 XLPE AWG 22 x 1M	