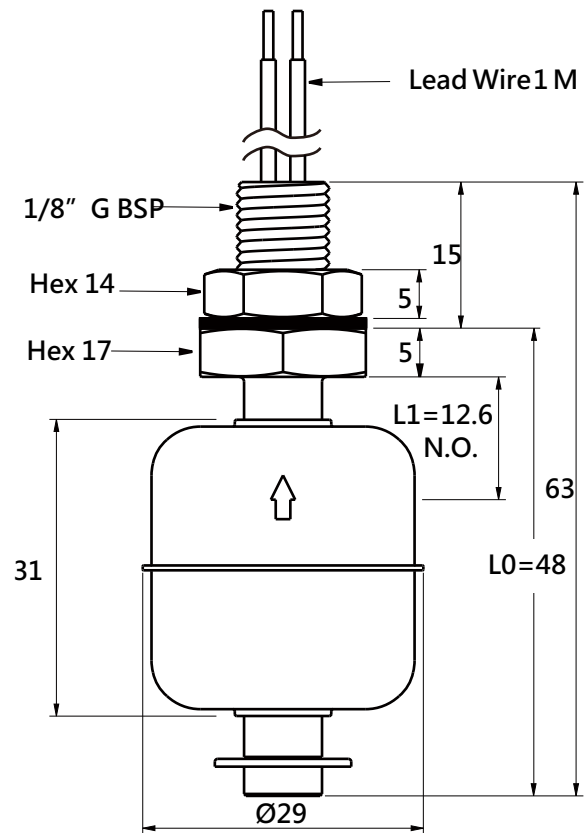
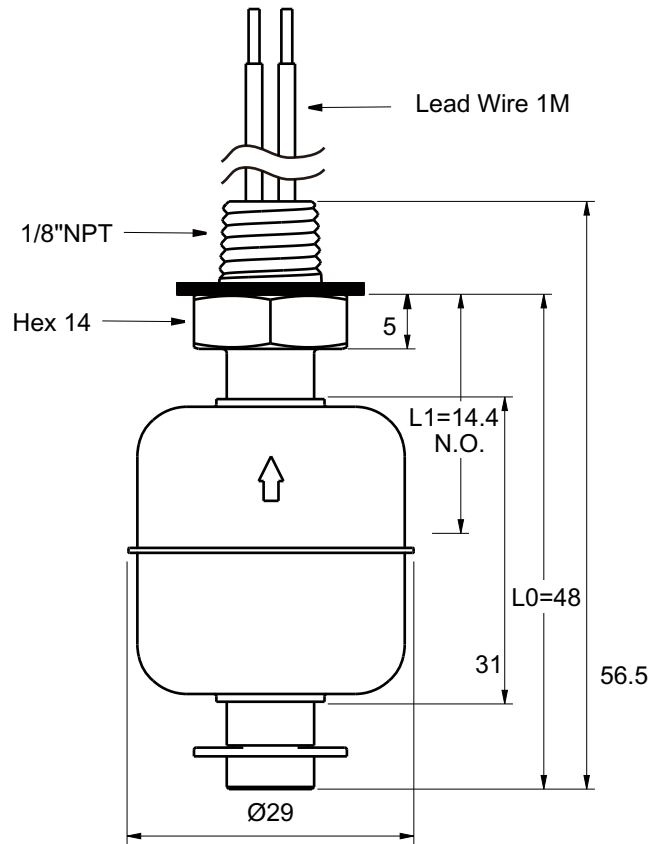


LCN-1121



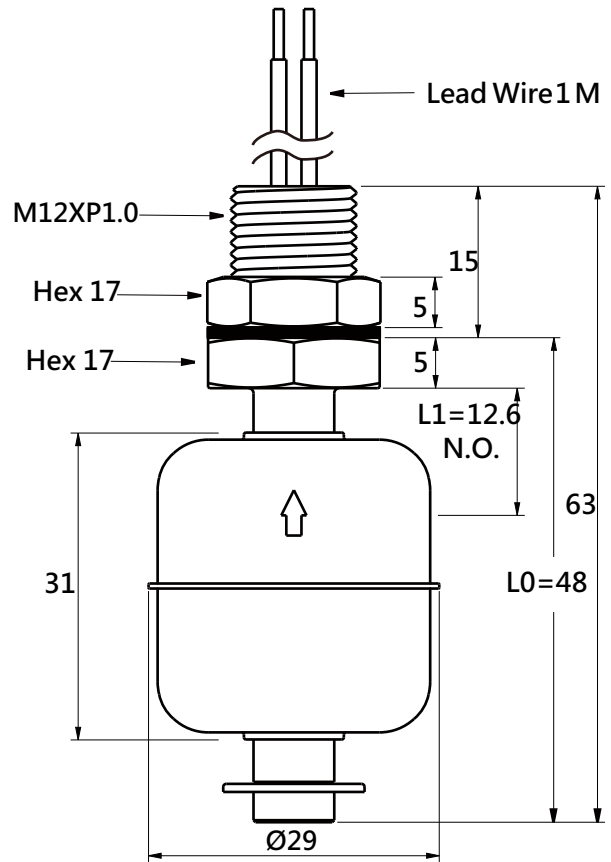
LCN-1121	
Mounting Style	Internal
Mounting thread	1/8" G BSP
stem	SUS 316
Float	SUS 316L
Operation Temp.	-20% To +120°C
Max.Pressure	20 bar
Float S.G.	0.7
Mini.Fluid S.G.	0.8
Contact Form	N/O(N/C) Reversible , SPST
Switch Rating VA	50W
Switching Voltage Max.	240Vac/200Vdc
Switching Current Max.	0.5
Carry Current Max.	1A
Lead Wires	UL 3266 AWG 22 XLPE Lead Wire 1M

LCN-2121



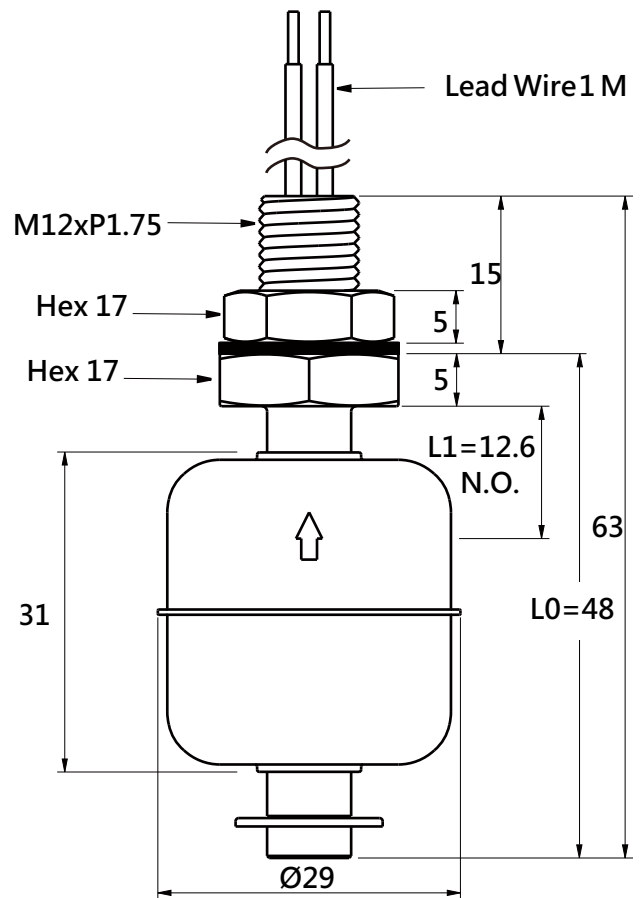
LCN-2121	
Mounting Style	Internal
Mounting thread	1/8" NPT
stem	SUS 316
Float	SUS 316L
Operation Temp.	-20% To +120°C
Max.Pressure	20 bar
Float S.G.	0.7
Mini.Fluid S.G.	0.8
Contact Form	N/O(N/C) Reversible , SPST
Switch Rating VA	50W
Switching Voltage Max.	240Vac/200Vdc
Switching Current Max.	0.5
Carry Current Max.	1A
Lead Wires	UL 3266 AWG 22 XLPE Lead Wire 1M

LCN-4021



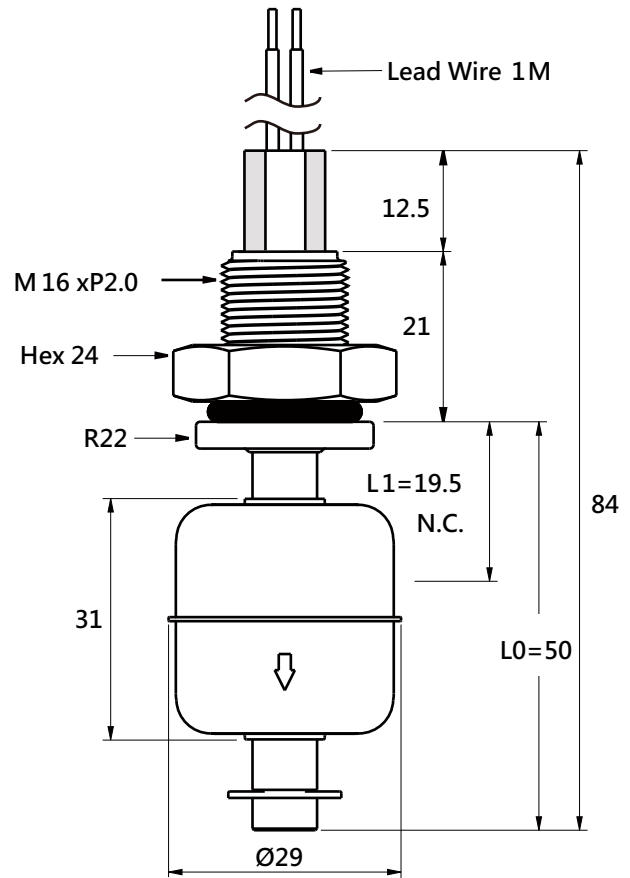
LCN-4021	
Mounting Style	Internal
Mounting thread	M12xP1.0
stem	SUS 316
Float	SUS 316L
Operation Temp.	-20% To +120°C
Max.Pressure	20 bar
Float S.G.	0.7
Mini.Fluid S.G.	0.8
Contact Form	N/O(N/C) Reversible , SPST
Switch Rating VA	50W
Switching Voltage Max.	240Vac/200Vdc
Switching Current Max.	0.5
Carry Current Max.	1A
Lead Wires	UL 3266 AWG 22 XLPE Lead Wire 1M

LCN-3521



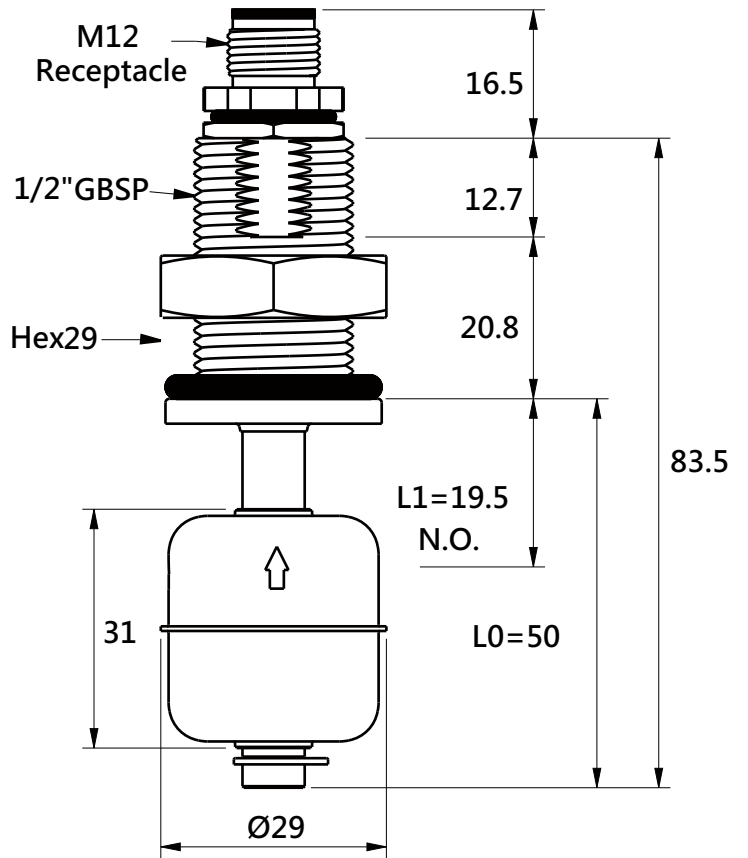
LCN-3521	
Mounting Style	Internal
Mounting thread	M12xP1.75
stem	SUS 316
Float	SUS 316L
Operation Temp.	-20°C To +120°C
Max.Pressure	20 bar
Float S.G.	0.7
Mini.Fluid S.G.	0.8
Contact Form	N/O(N/C) Reversible , SPST
Switch Rating VA	50W
Switching Voltage Max.	240Vac/200Vdc
Switching Current Max.	0.5
Carry Current Max.	1A
Lead Wires	UL 3266 AWG 22 XLPE Lead Wire 30 cm

LCN-4121-M16



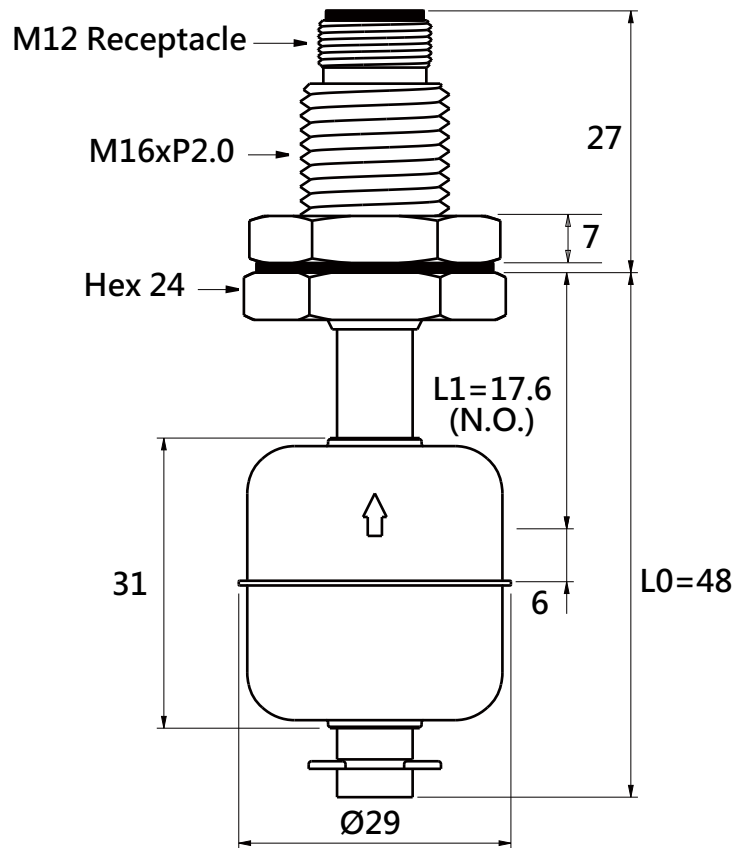
LCN-4121-M16	
Mounting Style	Internal
Mounting thread	M16xP2.0
stem	SUS 316
Float	SUS 316L
Operation Temp.	-20°C To +120°C
Max.Pressure	20 bar
Float S.G.	0.7
Mini.Fluid S.G.	0.8
Contact Form	N/O(N/C) Reversible , SPST
Switch Rating VA	50W
Switching Voltage Max.	240Vac/200Vdc
Switching Current Max.	0.5
Carry Current Max.	1A
Lead Wires	UL 3266 AWG 22 XLPE Lead Wire 1M

LCN-4121-M12



LCN-4121-M12	
Mounting Style	Internal
Mounting thread stem	1/2" G/M12 Receptacle
Float	SUS 316L
Operation Temp.	-20°C To +120°C
Max.Pressure	25 bar
Float S.G.	0.7
Mini.Fluid S.G.	0.8
Contact Form	N/O(N/C) Reversible , SPST
Switch Rating VA	50W
Switching Voltage Max.	240Vac/200Vdc
Switching Current Max.	0.5
Carry Current Max.	1A
Lead Wires	M12 Receptacle

LCN-1121-M12



LCN-1121-M12	
Mounting Style	Internal
Mounting thread	M16xP2.0/M12 Receptacle
stem	SUS 316
Float	SUS 316L
Operation Temp.	-20°C To +120°C
Max.Pressure	20 bar
Float S.G.	0.7
Mini.Fluid S.G.	0.8
Contact Form	N/O(N/C) Reversible , SPST
Switch Rating VA	50W
Switching Voltage Max.	240Vac/200Vdc
Switching Current Max.	0.5
Carry Current Max.	1A
Lead Wires	M12 Receptacle