

Model 7558

Panel Meter - Strain Gage Transducer Indicator



DESCRIPTION

The Model 7558 series of digital indicators provide enhanced accuracy, ease of use, and improved resolution of measurement. These cost-efficient instruments provide a user-selectable dc excitation voltage to drive strain-gage-based transducers.

These standard meters can be made more powerful through the selection of optional features that provide the capability to control external devices, and offer digital communication with computers.

FEATURES

- Strain-gage-based, Wheatstone-bridge transducer
- Five-digit LED display
- 1/8 DIN size
- User selectable resolution
- NEMA 4X/IP65 construction
- Isolated analog output
- Min. and max. peak detection
- 16-point linearization
- CE approved

OPTIONS

- Dual limit relays
- RS232 or RS485 isolated serial interface
- DeviceNet software
- PC software for meter configuration

Model 7558

DISPLAY SPECIFICATIONS

Characteristic	Measure
A/D converter	16-bit resolution
Resolution	Selectable by 1, 2, 5, or 10 counts
Range	-19999 to 19999
Decimal point	Selectable position
A/D conversion rate	20 readings/sec
Update rate	1 to 20 updates/sec

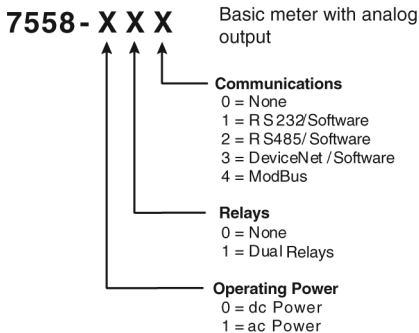
SENSOR INPUT SPECIFICATIONS

Characteristic	Measure
Range	±24 mVdc or ±240 mVdc
Accuracy	±0.02 % of reading
Impedance	100 mohm

POWER SUPPLY SPECIFICATIONS

Characteristic	Measure
ac supply voltage	85 Vac to 250 Vac, 50 Hz/60 Hz, 15 VA
dc supply voltage	11 Vdc to 36 Vdc, 11 W

ORDER CODES



USER CONFIGURABLE LINEARIZATION SPECIFICATIONS

User-defined linearization function as a 16-point piece-wise linear approximation

ANALOG OUTPUT SPECIFICATIONS

Characteristic	Measure
Voltage	0 Vdc to 10 Vdc
Impedance	500 ohm
Accuracy	±0.17 % full scale (18 °C to 28 °C [64 °F to 82 °F])

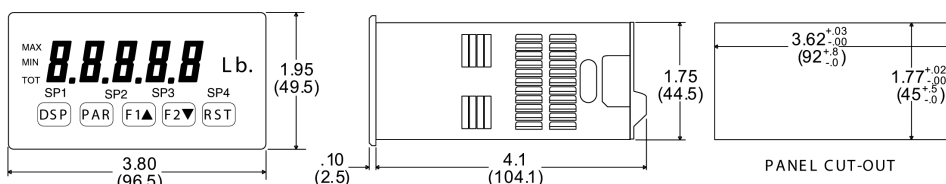
DUAL LIMIT RELAYS SPECIFICATIONS

Characteristic	Measure
Type	Two form C relays
Isolation	2000 Vrms for 1 minute
Contact rating	Total current with both relays energized < 5 A

RS232 OR RS485 SERIAL OUTPUT SPECIFICATIONS

Characteristic	Measure
Data type	7/8 bits
Voltage level	50 V
Baud rate	19200
Isolation	500 Vrms
Address units	99 max.
Parity	No, odd or even

MOUNTING DIMENSIONS AND CHARACTERISTICS



DIMENSIONS "In inches (mm)" Note: Recommended minimum clearance (behind the panel) for mounting clip installation is 2.1" (52.4) H x 5.5" (140) W

For reference only

Warranty. Honeywell warrants goods of its manufacture as being free of defective materials and faulty workmanship. Honeywell's standard product warranty applies unless agreed to otherwise by Honeywell in writing; please refer to your order acknowledgement or consult your local sales office for specific warranty details. If warranted goods are returned to Honeywell during the period of coverage, Honeywell will repair or replace, at its option, without charge those items it finds defective. **The foregoing is buyer's sole remedy and is in lieu of all warranties, expressed or implied, including those of merchantability and fitness for a particular purpose. In no event shall Honeywell be liable for consequential, special, or indirect damages.**

While we provide application assistance personally, through our literature and the Honeywell web site, it is up to the customer to determine the suitability of the product in the application.

Specifications may change without notice. The information we supply is believed to be accurate and reliable as of this printing. However, we assume no responsibility for its use.

For more information about Sensing and Control products, visit www.honeywell.com/sensing or call +1-815-235-6847
Email inquiries to info.sc@honeywell.com

⚠ WARNING
PERSONAL INJURY

- DO NOT USE these products as safety or emergency stop devices or in any other application where failure of the product could result in personal injury.

Failure to comply with these instructions could result in death or serious injury.

⚠ WARNING
MISUSE OF DOCUMENTATION

- The information presented in this catalogue is for reference only. DO NOT USE this document as product installation information.
- Complete installation, operation and maintenance information is provided in the instructions supplied with each product.

Failure to comply with these instructions could result in death or serious injury.