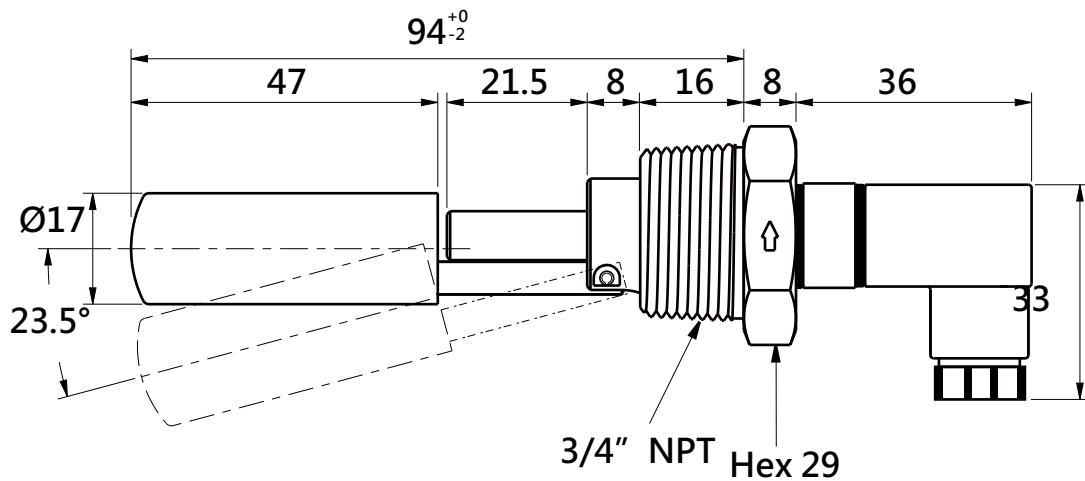
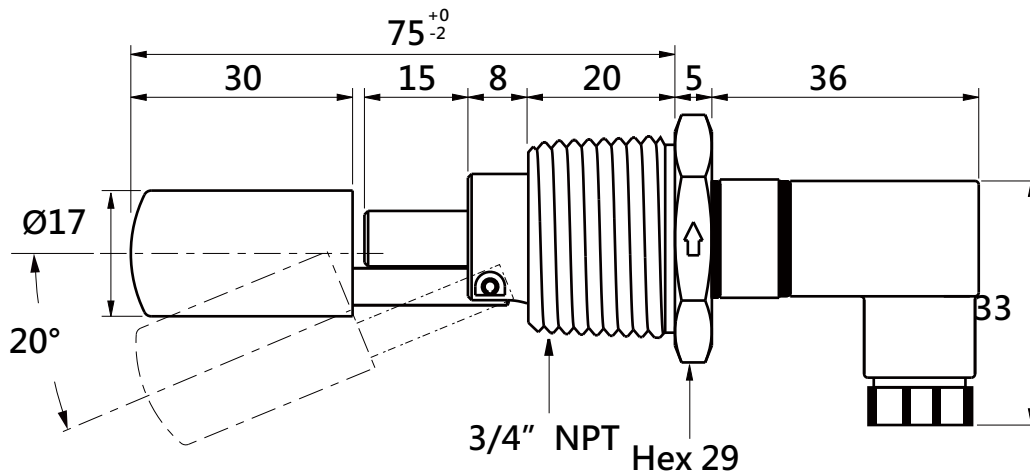
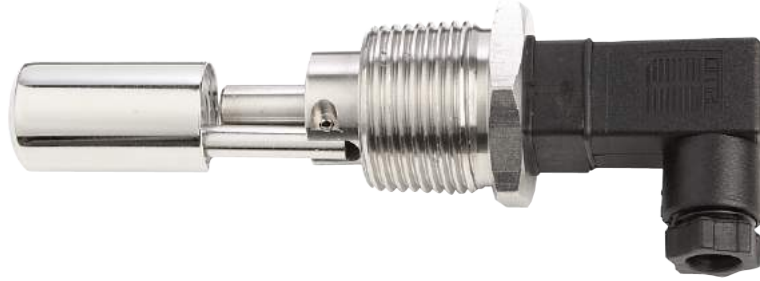


LKS-3412



LKS-3412	
Mounting Style	External
Mounting thread	3/4" NPT
stem	SUS304
Float	SUS316 Ø17x47
Operation Temp.	- 10°C ~ +120°C
Max.Pressure	10 Bar
Float S.G.	0.7
Mini.Fluid S.G.	0.8
Contact Form	N/O(N/C),SPST
Switch Rating VA	50W
Switching Voltage Max.	240Vac/200Vdc
Switching Current Max.	0.5A
Carry Current Max.	1A
Enclosure	DIN43650 (EN175301-803) Connector (NEMA 4/IP65)

LKS-3452



LKS-3452	
Mounting Style	External
Mounting thread	3/4" NPT
stem	SUS304
Float	SUS316 Ø17x30
Operation Temp.	- 10°C ~ +120°C
Max.Pressure	10 Bar
Float S.G.	0.8
Mini.Fluid S.G.	0.85
Contact Form	N/O(N/C),SPST
Switch Rating VA	50W
Switching Voltage Max.	24Vac/dc
Switching Current Max.	0.3A
Carry Current Max.	0.1A
Enclosure	DIN43650 (EN175301-803) Connector (NEMA 4/IP65)