

Model 3127

Tension/Compression Canister Load Cell



DESCRIPTION

The Model 3127 fatigue-resistant load cells are extremely resistant to extraneous bending and side loading forces. The structure virtually eliminates bending strains at the strain gage,

minimizing the primary cause of load cell failure. Dual bridge option available for feedback control and redundancy.

FEATURES

- Optional dual bridge not shown
- English threads (metric threads available: 3127-118)
- Resist fatigue failure
- Low failure rate
- Multi-beam structure design
- 10000000 N capacity
- Bending moment resistance of 7500000 lb inches
- 450000 lb of shear resistance

Model 3127

PERFORMANCE SPECIFICATIONS

Characteristic	Measure
Load range ¹	10M N
Non-linearity	±0.2 % of rated output
Hysteresis	±0.2 % of rated output
Repeatability	±0.05 % of rated output
Output @ rated capacity	±2 mV/V (nominal)
Operation	Tension/compression
Resolution	Infinite
Standard calibration	Tension (+) and compression (-)

ENVIRONMENTAL SPECIFICATIONS

Characteristic	Measure
Temperature, operating	-54 °C to 93 °C [-65 °F to 200 °F]
Temperature, compensated	21 °C to 77 °C [70 °F to 170 °F]
Temperature effect, zero	±0.003 % of rated output/°F
Temperature effect, output	±0.003 % of reading/°F

ELECTRICAL SPECIFICATIONS

Characteristic	Measure
Strain gage type	Foil
Excitation (maximum)	20 Vdc or Vac RMS
Insulation resistance	> 5000 mOhm @ 50 Vdc
Bridge resistance (tolerance)	700 ohm
Number of bridges	1 or 2
Zero balance	±1.0 %
Electrical termination	MS-3102E-14S-5P

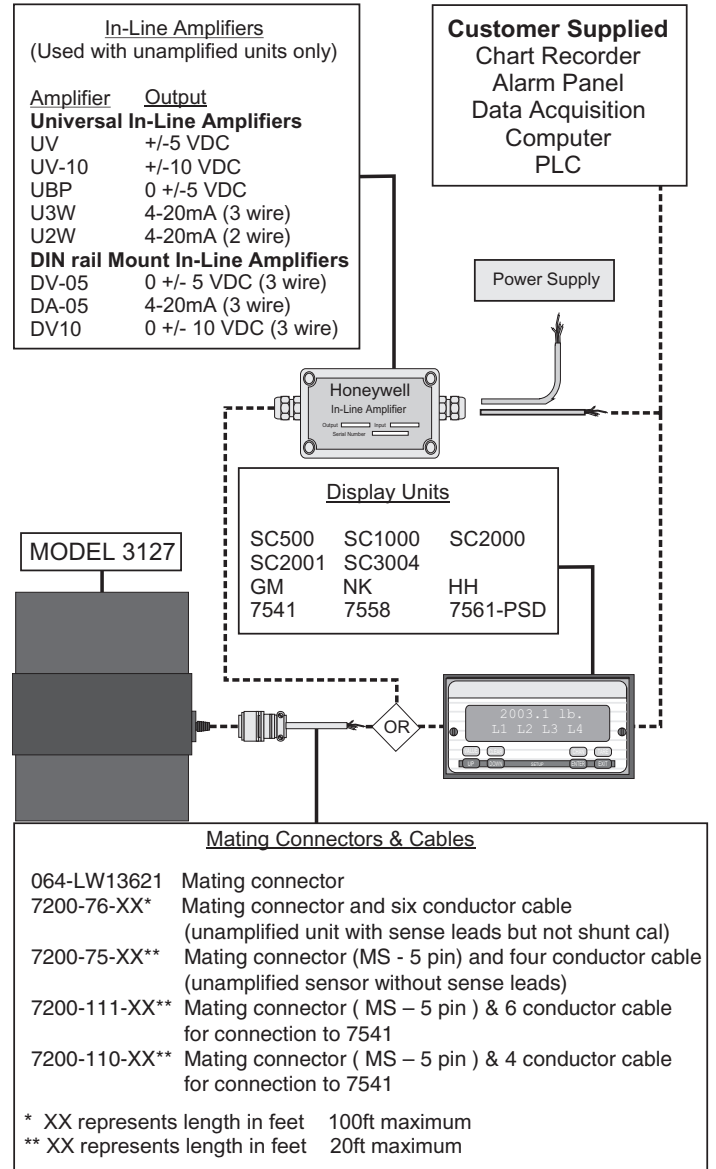
MECHANICAL SPECIFICATIONS

Characteristic	Measure
Static overload capacity	150 % of nominal capacity
Material	Carbon steel
Fatigue life (0 to full fatigue load)	100 x 10 ⁶ cycles
Fatigue life (full fatigue tension to compression)	50 x 10 ⁶ cycles
Natural frequency	See table

WIRING CODES

Wire	
Red	(+) excitation
Black	(-) excitation
Green	(+) output
White	(-) output

TYPICAL SYSTEM DIAGRAM



Tension/Compression Canister Load Cell

NATURAL FREQUENCY

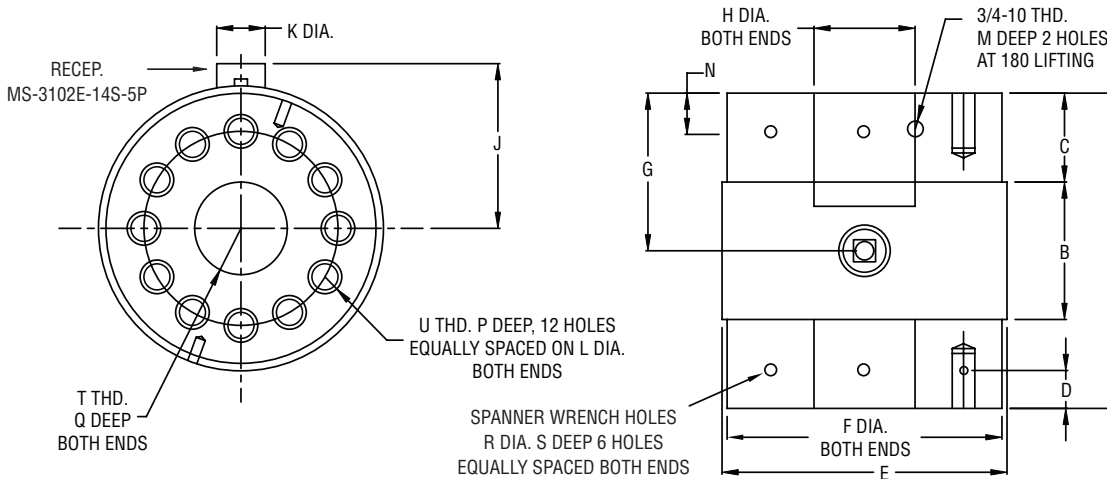
Nominal load limit capacity F_z		Static extraneous load limits						
lb	N	Static overload capacity (% of nominal capacity)	Fatigue capacity (% of nominal capacity)	Shear F_x or F_y (lb)	Bending M_x or M_y (lb-in)	Torque M_z (lb-in)	Deflection at nominal load limit (in)	Ringling frequency (Hz)
2000K	10M	100	50	450K	7500K	1500K	0.007	1900

MOUNTING DIMENSIONS

Model	A cm [in]	B cm [in]	C cm [in]	D cm [in]	E cm [in]	F cm [in]	G cm [in]	H cm [in]	J cm [in]
3127	57,15 [22.50]	20,32 [8.0]	16,51 [6.50]	6,35 [2.50]	44,78 [17.63]	43,18 [17]	28,58 [11.25]	16,51 [6.50]	24,77 [9.75]

K cm [in]	L cm [in]	M cm [in]	N cm [in]	P cm [in]	Q cm [in]	R cm [in]	S cm [in]	*T cm [in]	*U cm [in]
7,62 [3]	30,48 [12]	3,81 [1.50]	6,35 [2.50]	8,89 [3.50]	20,96 [8.25]	1,03 [0.41]	1,27 [0.50]	M150-4 [6-8]	M42-3 [1.75-12]

* 3127-118 • T and U are metric thread measures
 * 3127 standard • T and U are English thread measures



Model 3127

Tension/Compression Canister Load Cell

NOTES

1. This unit calibrated to Imperial (non-Metric) units.

Warranty. Honeywell warrants goods of its manufacture as being free of defective materials and faulty workmanship. Honeywell's standard product warranty applies unless agreed to otherwise by Honeywell in writing; please refer to your order acknowledgement or consult your local sales office for specific warranty details. If warranted goods are returned to Honeywell during the period of coverage, Honeywell will repair or replace, at its option, without charge those items it finds defective. **The foregoing is buyer's sole remedy and is in lieu of all warranties, expressed or implied, including those of merchantability and fitness for a particular purpose. In no event shall Honeywell be liable for consequential, special, or indirect damages.**

While we provide application assistance personally, through our literature and the Honeywell web site, it is up to the customer to determine the suitability of the product in the application.

Specifications may change without notice. The information we supply is believed to be accurate and reliable as of this printing. However, we assume no responsibility for its use.

For more information about Sensing and Control products, visit www.honeywell.com/sensing or call +1-815-235-6847

Email inquiries to info.sc@honeywell.com

WARNING **PERSONAL INJURY**

- DO NOT USE these products as safety or emergency stop devices or in any other application where failure of the product could result in personal injury.

Failure to comply with these instructions could result in death or serious injury.

WARNING **MISUSE OF DOCUMENTATION**

- The information presented in this catalogue is for reference only. DO NOT USE this document as product installation information.
- Complete installation, operation and maintenance information is provided in the instructions supplied with each product.

Failure to comply with these instructions could result in death or serious injury.

Sensing and Control
Automation and Control Solutions
Honeywell
1985 Douglas Drive North
Golden Valley, MN 55422 USA
+1-815-235-6847
www.honeywell.com/sensing

008646-1-EN IL50 GLO
May 2008
Copyright © 2008 Honeywell International Inc. All rights reserved.

Honeywell