

Model 2133-300 Series

Reaction Socket Torque Sensor



DESCRIPTION

These cost-efficient sensors are primarily used in torque wrench calibration applications. Socket-wrench torque monitoring may be performed by the Model 2133-300 series. Also, may be used in a production line/assembly line stall nutrunner set-up and calibration.

FEATURES

- 10 ft-lb to 1000 ft-lb capacities
- 0.25 % non-linearity and hysteresis
- Adaptable for portable usage
- No special adapter tools required
- Repeatable torque measurements

Model 2133-300 Series

Reaction Socket Torque Sensor

PERFORMANCE SPECIFICATIONS

Characteristic	Measure
Torque range	10, 20, 50, 100, 250, 600, 1000 lb-ft
Non-linearity	±0.25 % of rated output
Hysteresis	±0.25 % of rated output
Repeatability	±0.1 % of rated output
Output @ rated capacity	2 mV/V nominal

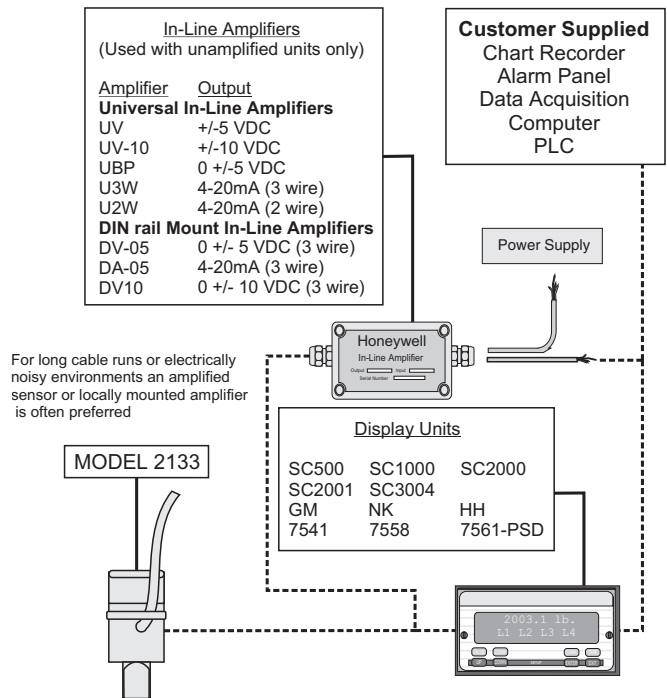
ENVIRONMENTAL SPECIFICATIONS

Characteristic	Measure
Temperature, operating	-54 °C to 93 °C [-65 °F to 200 °F]
Temperature, compensated	21 °C to 77 °C [70 °F to 170 °F]
Temperature effect, zero	±0.002 % of rated output/°F
Temperature effect, span	±0.002 % of reading/°F

ELECTRICAL SPECIFICATIONS

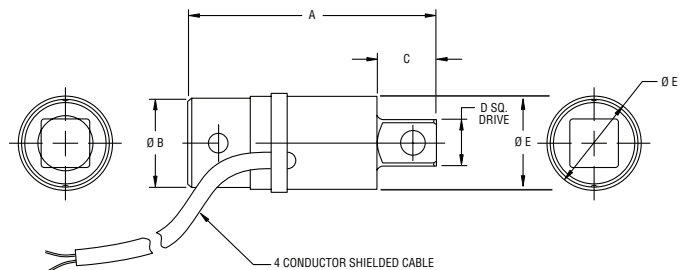
Characteristic	Measure
Excitation (maximum)	10 Vdc or Vac RMS
Insulation resistance	> 5000 mOhm @ 50 Vdc
Bridge resistance	350 ohm (nominal)
Zero balance	±5 % or better of rated output

TYPICAL SYSTEM DIAGRAM



MOUNTING DIMENSIONS

Model	Capacity lb-ft	A in	Ø B in	C in	D	Ø E in
2133-301-10	10	1.75	0.60	0.38	1/4	0.69
2133-301-20	20	1.75	0.60	0.38	1/4	0.69
2133-302-50	50	2.50	0.94	0.50	3/8	1.00
2133-303-100	100	2.62	0.94	0.62	1/2	1.00
2133-304-250	250	3.50	1.69	0.69	5/8	1.75
2133-305-600	600	3.62	1.69	0.81	3/4	1.75
2133-306-1K	1000	4.75	1.94	1.09	1	2.00



For reference only

Warranty. Honeywell warrants goods of its manufacture as being free of defective materials and faulty workmanship. Honeywell's standard product warranty applies unless agreed to otherwise by Honeywell in writing; please refer to your order acknowledgement or consult your local sales office for specific warranty details. If warranted goods are returned to Honeywell during the period of coverage, Honeywell will repair or replace, at its option, without charge those items it finds defective. **The foregoing is buyer's sole remedy and is in lieu of all warranties, expressed or implied, including those of merchantability and fitness for a particular purpose. In no event shall Honeywell be liable for consequential, special, or indirect damages.**

While we provide application assistance personally, through our literature and the Honeywell web site, it is up to the customer to determine the suitability of the product in the application.

Specifications may change without notice. The information we supply is believed to be accurate and reliable as of this printing. However, we assume no responsibility for its use.

For more information about Sensing and Control products, visit www.honeywell.com/sensing or call +1-815-235-6847
Email inquiries to info.sc@honeywell.com

 **WARNING**
PERSONAL INJURY

- DO NOT USE these products as safety or emergency stop devices or in any other application where failure of the product could result in personal injury.

Failure to comply with these instructions could result in death or serious injury.

 **WARNING**
MISUSE OF DOCUMENTATION

- The information presented in this catalogue is for reference only. DO NOT USE this document as product installation information.
- Complete installation, operation and maintenance information is provided in the instructions supplied with each product.

Failure to comply with these instructions could result in death or serious injury.