



An immersed electrical level transmitter for sea water application – Polyester housing

The PL3702C-P is a ceramic family transmitter specially designed for sea water application thanks to its composite housing which avoids the electro chemical corrosion and sea water organic deposits. The PL3702C-P is linearised.

The polyester remote electronic box includes the amplifier with zero and span adjustment. The pressure transducer is sealed inside a composite housing (IP68 rating).

PL3702C-P - Technical specifications

TECHNICAL DATA

Gauge pressure range: 120 mbar to 4 bar

Overpressure: 6 to 25 bar

Protection class:

- Transducer: IP68
- Remote electronic box: IP66

Intrinsic safety:

Ex ia IIC or IIB T6 - Ex iaD A20 T70°C (Max 50 m cable between transducer & remote electronic box)

Power supply: 12-28 Vdc

Output signal: 4-20 mA, 2-wires

Accuracy: $\pm 0,3\%$ FS at 20°C

Operating temperature ranges:

- Transducer: - 40° to +60°C
- Remote electronic box: - 25° to + 85°C

SPECIAL FEATURES

Mechanical parts:

- Remote Electronic box: Sea water resistant polyester housing
- Sensor housing: composite
- Diaphragm: ceramic

Recommended zener barrier: MTL7787+

For safe area installation, the transmitter can be installed without zener barrier

Assembly 3702C - P **G** With internal bracket

OPTION:

- Top fitting PG4
- Top fitting with Flange ISO PN20DN40

Venting connection: 1/8"NPT

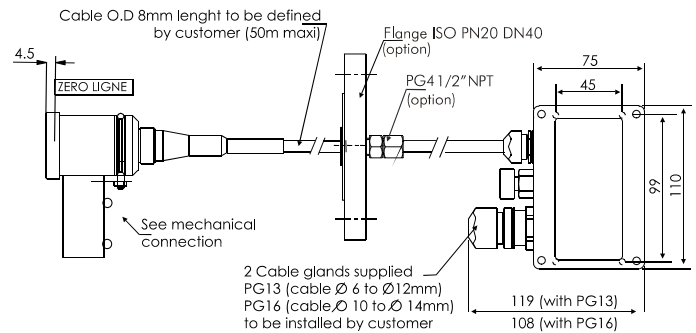
Mechanically & electrically compatible with PL3700 P

Approved by major classification societies

TECHNICAL DOCUMENTATION

Installation manual	MI5090
Technical manual	NT5090
Maintenance manual	MM5090

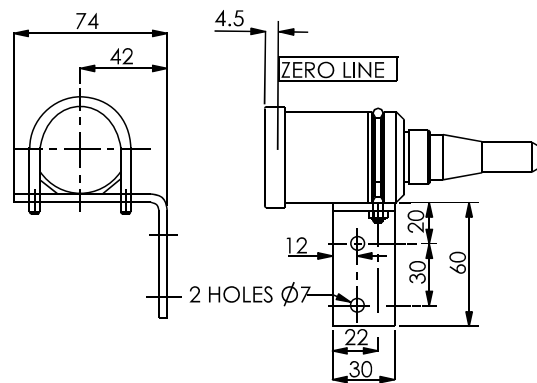
MECHANICAL FITTINGS & DIMENSIONS



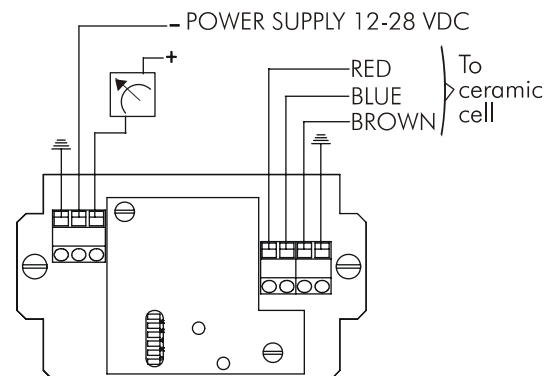
Note: cable length needs to be specified 8 weeks before delivery

Weight : 2.1 kg

MECHANICAL CONNECTION



ELECTRICAL CONNECTION



Honeywell