

## Series 991 sealed pushbutton switches



### Features

- Designed specifically for naval/military applications
- Rugged cast housing
- Environmentally sealed construction
- High operating temperature range
- Various terminations available
- Stainless steel button with engraved legend (991PB1 and PB2)
- Large actuating surface (991PB3)
- LED indicator (991PB2)

### Description

This range of three pushbutton switches is designed for use in military and naval applications, where reliability and ease-of-use are essential in harsh environments.

The 991PB1 is a twin switch unit, suitable for any manual control function. An interlock system is available which prevents simultaneous operation of both switches, and the buttons have strong tactile feedback.

The 991PB2 is a single pole alternate action switch, incorporating an LED indicator. It is ideal for applications which require status indication, and can be supplied with various customised legends. Also a single pole alternate action switch, the 991PB3 has a large mushroom-shaped button, for situations where a large actuating surface is necessary to ensure contact in emergency conditions. This switch can be furnished with various button shapes and any required legend.

All models have 200 mm long flying leads, terminated with LUCON connectors, but other lead lengths and cable types can be supplied.

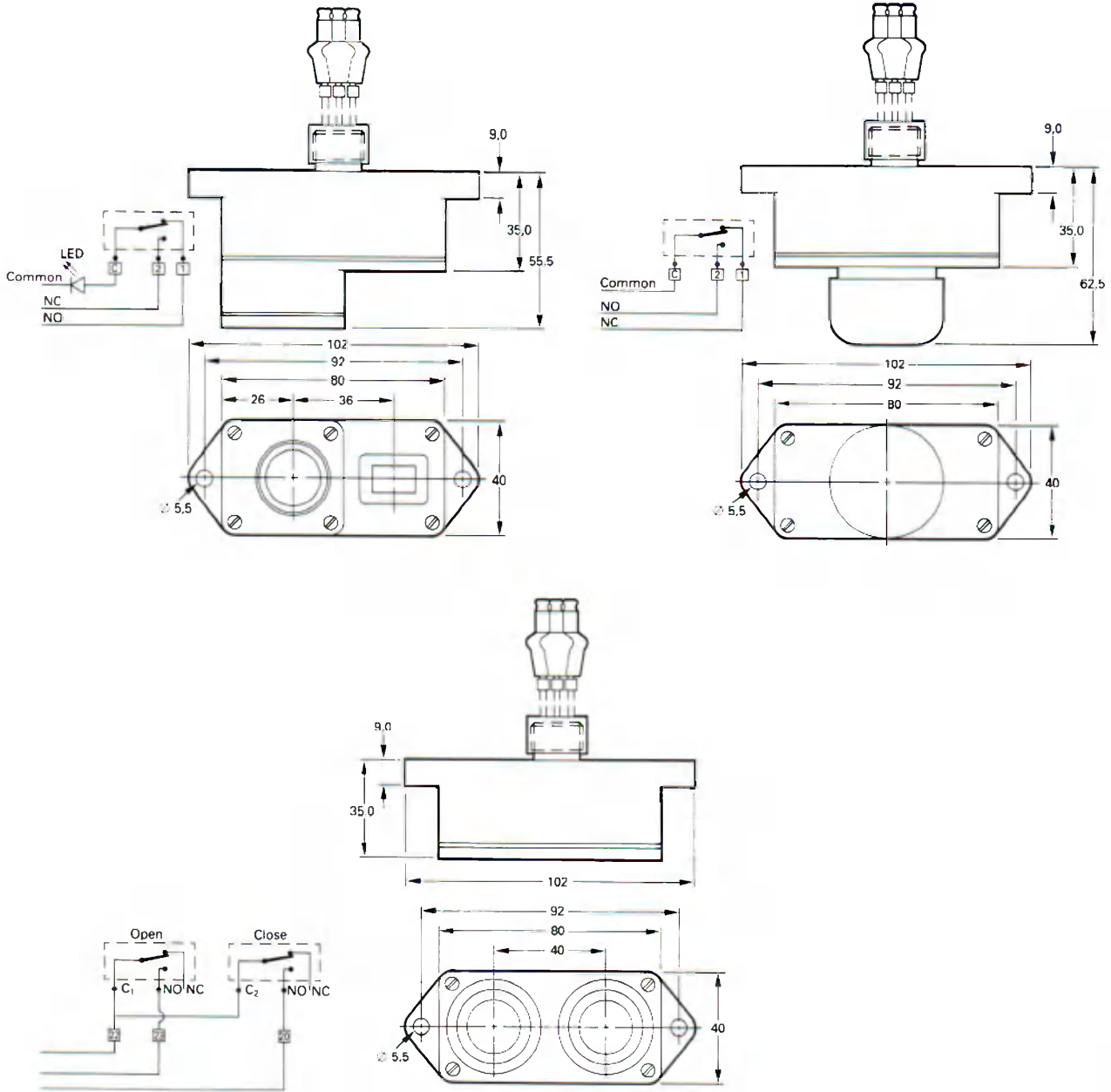
### Specifications

<b>Electrical rating</b>	5 A, 250V ac 5 A resistive, 2,5 A inductive, 28V dc
<b>Operating temperature range</b>	-40 to +85 °C
<b>Sealing</b>	Withstands 41.4 kPa or immersion in water to a depth of 4,3 m (FVRD 2051 paragraphs 2.3)

### Ordering information

Cat. No.	Fighting vehicle No.	Description
991PB1	FV908701	Twin switch unit (Open / close)
991PB2	FV908716	Single switch with LED indicator
991PB3	FV908717	Single switch with large actuator

# Mounting dimensions (mm)



\* For further details, contact your local Honeywell MICRO SWITCH sales office