



The liquid level detector for Oil and fuel tanks – high or low level – Relay output

The Lidec L20D-R is based on the propagation of a surface wave. This design does not include any moving part. The reliability of the device is ensured by a built-in function which monitors electronic or transducer failures.

The Lidec L20D-R designed to be installed horizontally (or vertically), can be used for all types of liquids. Also, it requires no calibration as not influenced by type of fluid.

L20D-R - Technical specifications

TECHNICAL DATA

Accuracy: ±2mm

Operating temperatures:

- Ambient temperature: - 25 °C +70°C
- Liquid temperature: - 40 °C +150°C

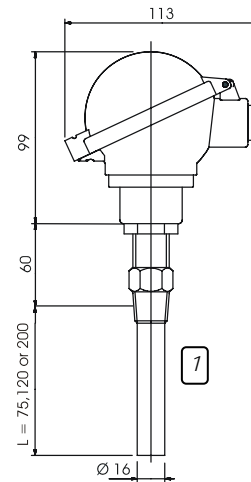
Power supply: 18 to 36 Vdc (28 Vdc max for I.S.)

Pressure: 25 bar

Intrinsically safe: II 1 G/D EEx ia IIC T6

Protection class: IP65

MECHANICAL FITTINGS & DIMENSIONS



Note: Lengths 1 needs to be specified 8 weeks before delivery Weight : 0.7 Kg

SPECIAL FEATURES

Materials:

- Probe: Stainless steel 316L
- Head : Aluminum

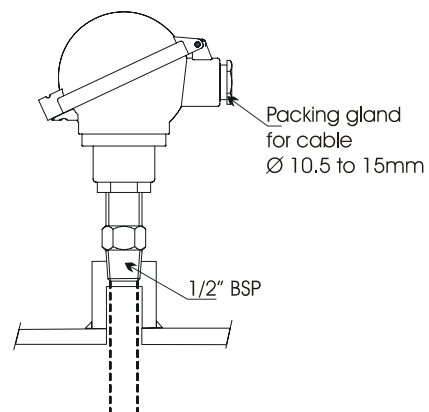
Lengths: L= 75, 120 or 200mm

Fitting: 1/2" BSPT

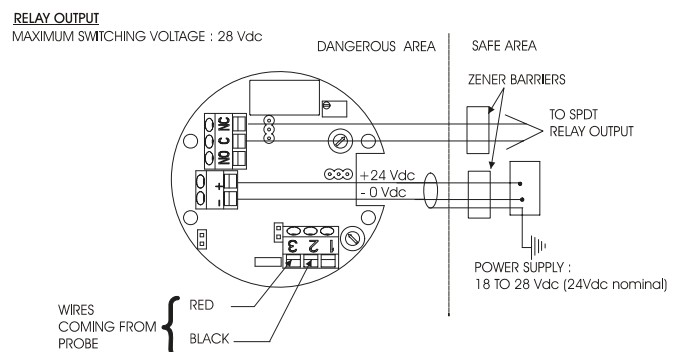
Relay output: NO or NC dry contact

For order, specify status of switch outside liquid

MECHANICAL CONNECTION



ELECTRICAL CONNECTION



TECHNICAL DOCUMENTATION

Installation manual	322444E
Maintenance manual	322444E

Honeywell