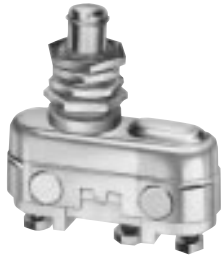


# Basic Switches

## High Temperature

# HT Series



### FEATURES

- Temperature tolerance up to +1000°F (538°C)
- Designed to meet military applications
- Side and panel mount
- UL recognized file # E12252

### GENERAL INFORMATION

HT switches will withstand temperatures up to +1000°F. The switching element is mounted on a ceramic base within a stainless steel enclosure. HT switches are not classified as sealed switches.

### ELECTRICAL CHARACTERISTICS

Circuitry	Electrical Data
Single-Pole Double-Throw	UL Ratings: 3 amps, 1/10 HP, 125 vac. 3 amps, 1/6 HP, 250 vac.

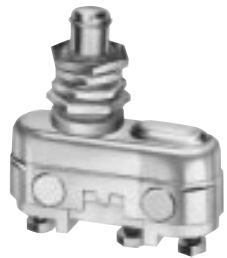
**Characteristics:** O.F. — Operating Force; R.F. — Release Force; P.T. — Pretravel; O.T. — Overtravel; O.P. — Operating Position.

### ORDER GUIDE

Catalog Listing	Description	Electrical Rating	O.F. newtons ounces	R.F. min. newtons ounces	P.T. max. mm inches	O.T. min. mm inches	O.P. mm inches
1HT1	Straight plunger panel mount	3 Amps	2,78-5,56 10-20	1,67 6	1,65 .065	4,78 .188	23,7 .935 approx.

3HT1	Roller plunger panel mount	3 Amps	8,34 30 max.	1,67 6	1,65 .065	4,78 .188	35,9 1,413 approx.
------	----------------------------	--------	-----------------	-----------	--------------	--------------	--------------------------

2HT1	Pin plunger side mount	3 Amps	2,78-5,56 10-20	1,67 6	1,27 .050	0,25 .010	16,8 .66 approx.
------	------------------------	--------	--------------------	-----------	--------------	--------------	------------------------



Dim. Dwg. Fig. 1



Dim. Dwg. Fig. 2



Dim. Dwg. Fig. 3

Sealed/High Temperature

# Basic Switches

## High Temperature

HT Series

MOUNTING DIMENSIONS (For reference only)

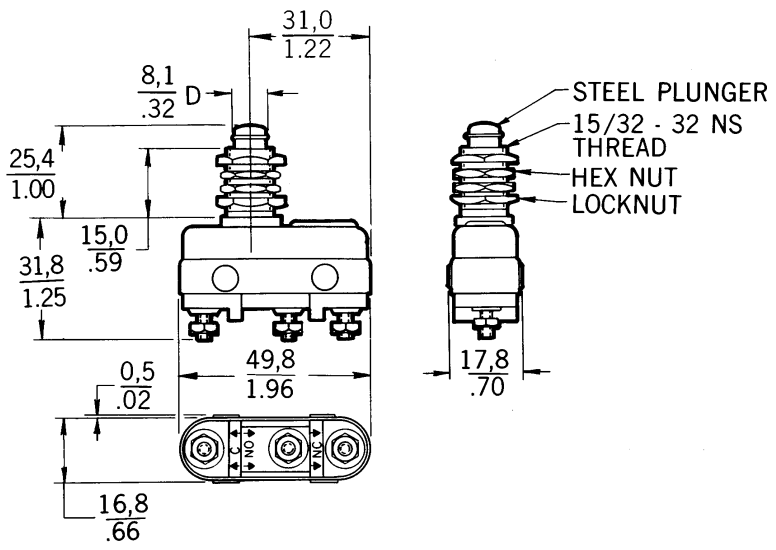


Fig. 1

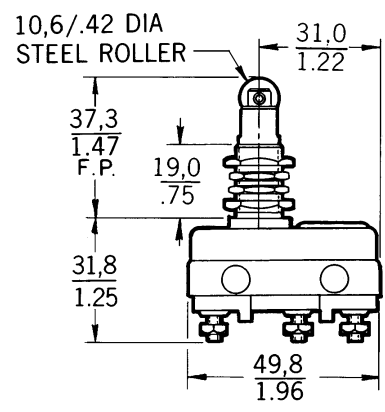
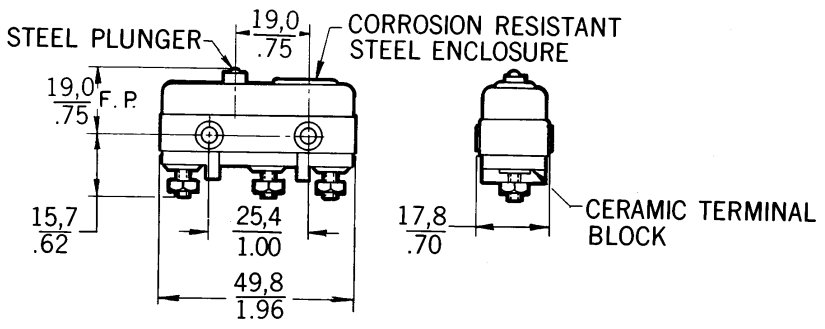


Fig. 2



MOUNTING HOLE WILL ACCEPT PINS OR SCREWS OF 3,6/.14 DIA.

Fig. 3

Mounting holes will accept pins or screws of .139" (3,53 mm) dia.

Key:  $\frac{0,0}{0.00} = \frac{\text{mm}}{\text{inches}}$