

Limit and Enclosed Switches

Stainless Steel

HDLS Series



FEATURES

- Corrosion-resistant stainless steel non-plug in body, head and rotary shaft
- Stainless steel levers
- Fluorocarbon seals
- -12°C to +121°C (10°F to +250°F)
- UL Listed, file #E37138
- CSA Certified, file #LR57326
- NEMA 1, 3, 3R, 4 4X, 6, 6P, and 13

ORDER GUIDE STAINLESS STEEL SWITCHES

Head Type	Action	Circuitry	Catalog Listing*
Side rotary standard	Momentary	SPDT (1 N.O.-1 N.C.)	LS2A4K
Side rotary standard	Momentary	SPDT (1 N.O.-1 N.C.)	LS2YAB4K (Low Temp)
Side rotary low torque	Momentary	SPDT (1 N.O.-1 N.C.)	LS2H4K
Side rotary standard	Momentary	DPDT (2 N.O.-2 N.C.)	LS2A4L
Side rotary low torque	Momentary	DPDT (2 N.O.-2 N.C.)	LS2H4L
Side rotary standard	Momentary	SPNC (1 N.C. Direct Acting)	LS2A3N
Side rotary low torque	Momentary	SPNC (1 N.C. Direct Acting)	LS2H3N
Side rotary Center neutral standard	Momentary	SPDT each dir. (1 N.O.-1 N.C.) CW (1 N.O.-1 N.C.) CCW	LS2M4N
Side rotary	Maintained	SPDT (1 N.O.-1 N.C.)	LS2N3K (1/2" conduit)
Side plunger	Momentary	SPDT (1 N.O.-1 N.C.)	LS2E4K
Side plunger	Momentary	DPDT (2 N.O.-2 N.C.)	LS2E4L
Side roller plunger	Momentary	SPDT (1 N.O.-1 N.C.)	LS2F4K
Side roller plunger	Momentary	DPDT (2 N.O.-2 N.C.)	LS2F4L
Top roller plunger	Momentary	SPNC (1 N.C. Direct Acting)	LS2D3N
Top roller plunger	Momentary	SPDT (1 N.O.-1 N.C.)	LS2D4K
Top roller plunger	Momentary	DPDT (2 N.O.-2 N.C.)	LS2D4L

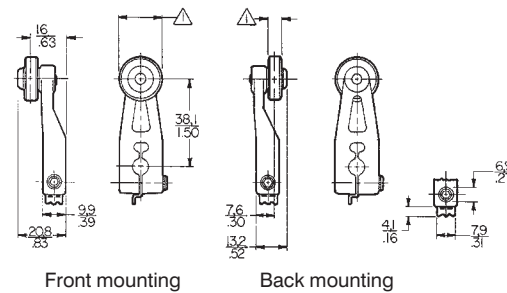
*SPDT 6 foot preleaded versions: add a **C** to the catalog listing. DPDT 6 foot preleaded versions: add **M** to the catalog listing. Example: LS2A4KC. For custom lead lengths, contact the 800 number.

ORDER GUIDE STAINLESS STEEL LEVERS

	Radius (In.)	Dia. (In.)	Width (In.)	Catalog Listing
Std. Roller Lever	1.5	.75	.25	LS2Z51B
Adjustable Radius	1.5-3.5	.75	.25	LS2Z52B
Rod	13.0	—	—	LS2Z54N

The HDLS is available in all stainless steel versions. These switches are designed for use in highly corrosive environments such as petrochemical plants, food processing plants, shipboard, and dockside locations. The type 316 cast stainless steel body is designed to minimize crevices where food particles could become trapped. The actuator, operating head, and screws are also stainless steel. All seals are fluorocarbon to provide excellent chemical resistance and to withstand operating temperatures up to 121°C (250°F) and pressurized steam cleaning. Preleaded and epoxy filled versions are also available. Contact Freeport or nearest branch office for details. Interchangeable with standard HDLS mounting.

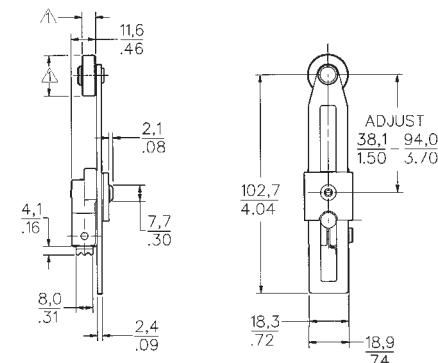
Limit/Enclosed



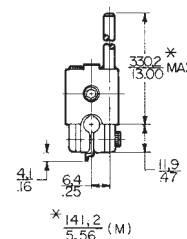
Front mounting

Back mounting

LS2Z52B



LS2Z54N



For rapid response – off the shelf service, all **bold face** listings are normally stocked items.

Stainless Steel

OPERATING CHARACTERISTICS

	Head Type				
	Side Rotary Standard	Low Torque	Side Plunger Plain	Roller	Top Roller Plunger
Pretravel (max.)	15°	—	2,54 mm 1.00 in.	2,54 mm 1.00 in.	1,78 mm 0.70 in.
Differential Travel (max.)	SPDT 5° DPDT 7°	SPDT 3° DPDT 4°	0,64 mm .025 in.	0,64 mm .025 in.	0,38 mm .015 in.
Overtravel (min.)	60°	68°	4,83 mm .190 in.	4,83 mm .190 in.	4,83 mm .190 in.
Operating Force (max.)	—	—	26,7 Nm 6.0 lb.	26,7 Nm 6.0 lb.	17,8 Nm 4.0 lb.
Operating Torque (max.)	,45 Nm 4 in.lb.	,19 Nm 1.7 in.lb.	—	—	—
Operating Point	—	—	33 ± 76 mm 1.3 ± .03 in.	44,1 ± 1,02 mm 1.73 ± .04 in.	55,9 ± 1,02 mm 2.20 ± .04 in.

ELECTRICAL RATINGS

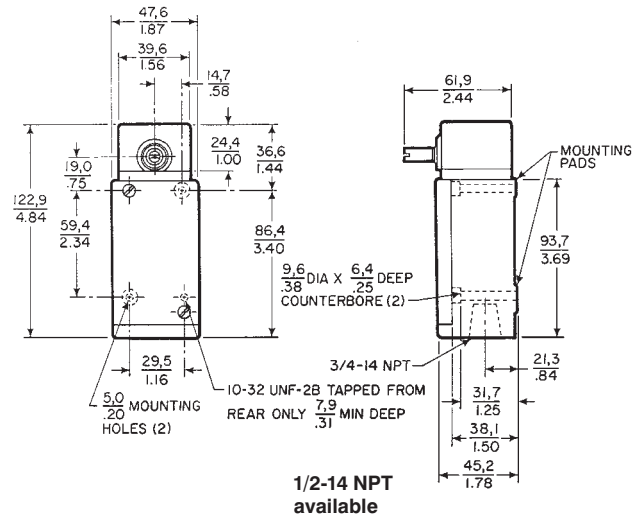
10 amps continuous carry

AC Volts

Pilot duty: 600 VAC, 720 VA

Electrical Rating	Circuitry	VAC	Amps at 0.35 Power Factor	
			Make	Break
A	Single-Pole Double-Throw	120	60	6
		240	30	3
		480	15	1.5
		600	12	1.2
B	Double-Pole Double-Throw	120	30	3
		240	15	1.5
		480	7.5	0.75
		600	6	0.60
D	Single-Pole Single-Throw Normally Closed	120	60	6
		240	30	3
		480	15	1.5
		600	12	1.2

MOUNTING DIMENSIONS (For reference only)



DC Volts

Pilot duty: 240 VDC, 30 watts

Electrical Rating	Circuitry	VDC	Make and Break Amps	
			Inductive	Resistive
A	Single-Pole Double-Throw	120	0.25	0.8
		240	0.15	0.4
B	Double-Pole Double-Throw	120	0.25	0.8
		240	0.15	0.4
D	Single-Pole Single-Throw Normally Closed	30	4.3	4.3
		120	1.1	1.1

